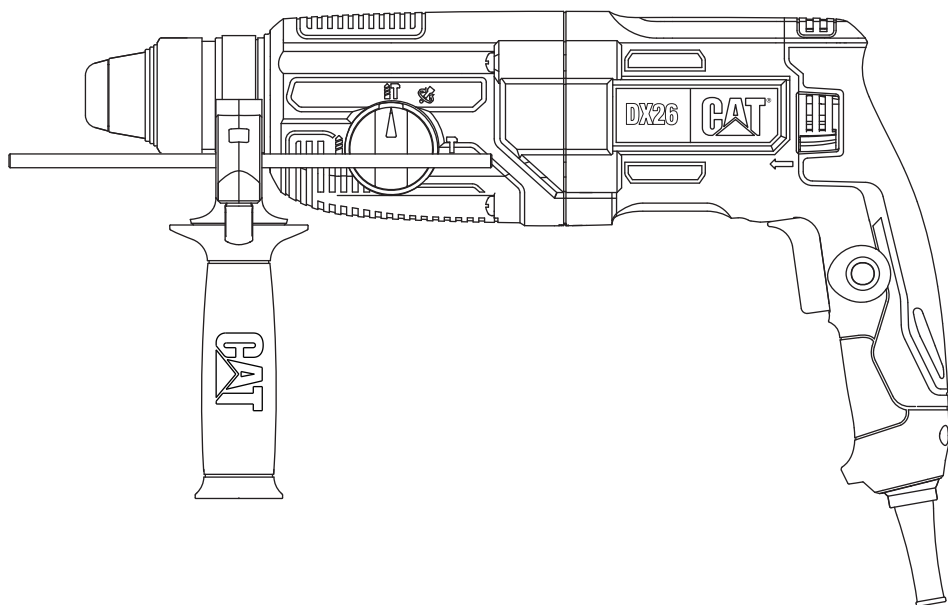


CAT[®]

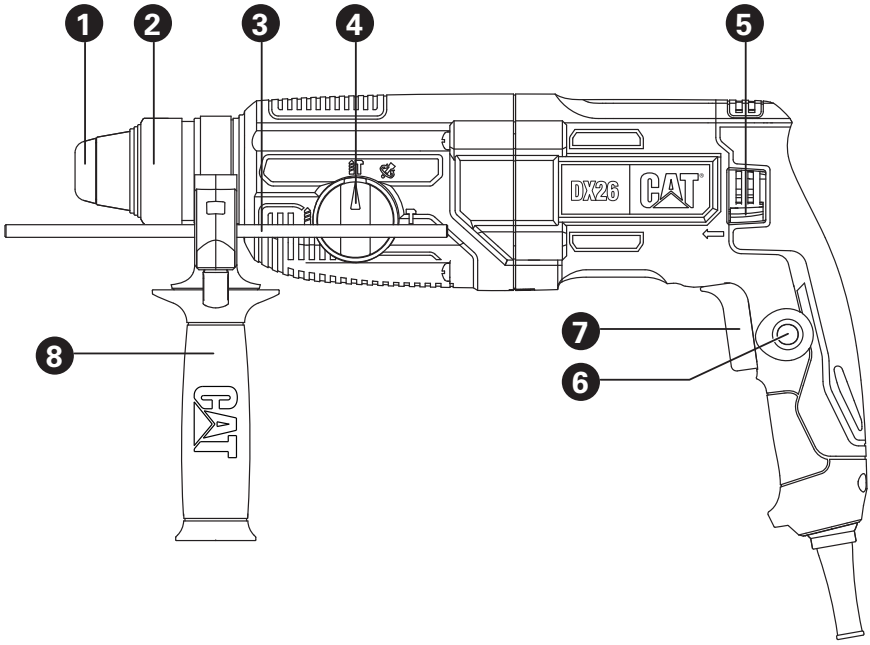


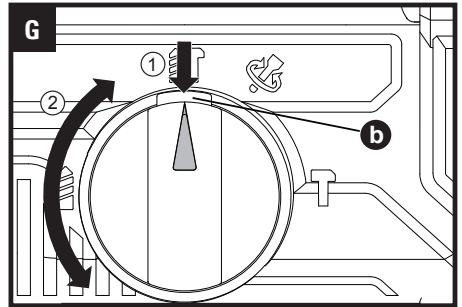
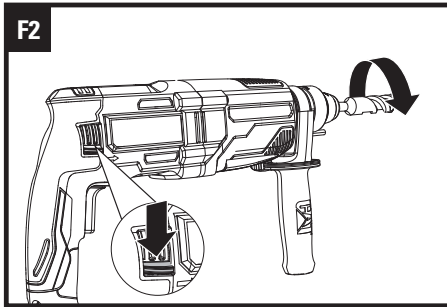
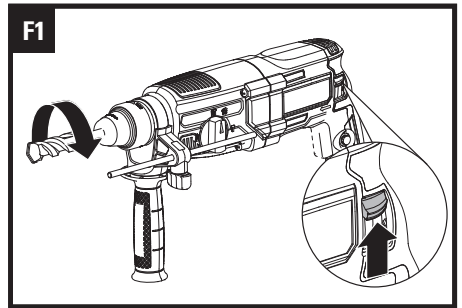
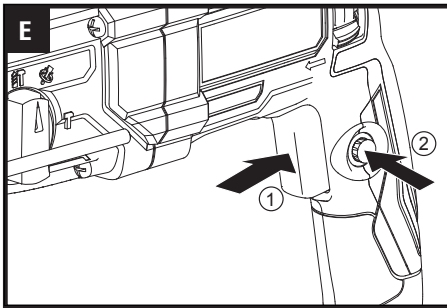
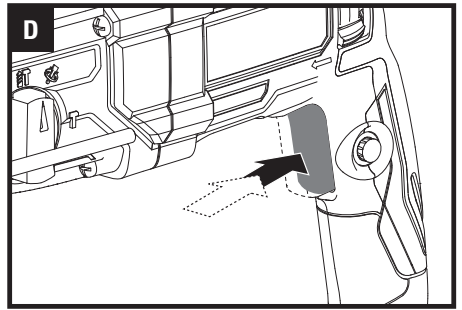
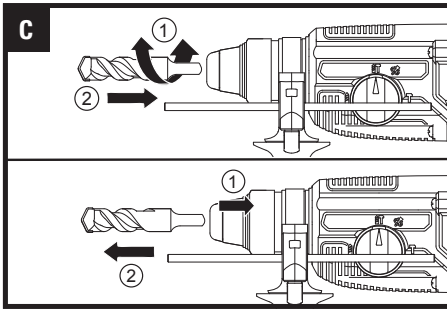
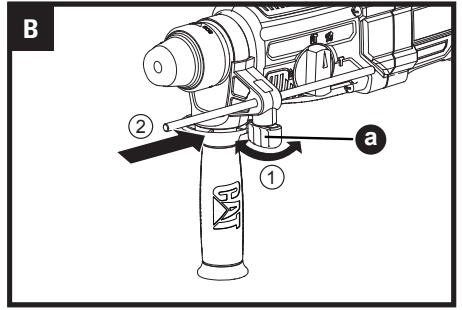
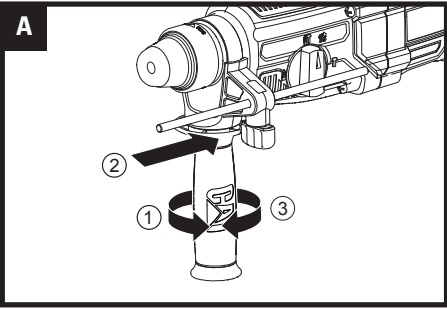
8 A

DX26U



1 IN. SDS PLUS ROTARY HAMMER	EN	P05
1 IN. MARTEAU ROTATIF SDS PLUS	FR	P10
ROTOMARTILLO SDS PLUS DE 26 MM	ES	P16






COMPONENT LIST

1. DUST PROTECTION CAP
2. TOOL HOLDER LOCKING SLEEVE
3. DEPTH GAUGE
4. FUNCTION MODE SELECTOR DIAL
5. FORWARD AND REVERSE ROTATION CONTROL
6. SWITCH LOCK-ON BUTTON
7. ON/OFF SWITCH WITH VARIABLE SPEED
8. AUXILIARY HANDLE


Not all the accessories illustrated or described are included in standard delivery.

PRODUCT SAFETY

 **WARNING:** Some dust created by power sanding, sawing, grinding, drilling and other construction activities contains chemicals known to the State of California to cause cancer, birth defects or other reproductive harm. Some examples of these chemicals are:

- Lead from lead-based paints;
- Crystalline silica from bricks and cement and other masonry products;
- Arsenic and chromium from chemically-treated lumber.

Your risk from these exposures varies, depending on how often you do this type of work. To reduce your exposure to these chemicals: work in a well ventilated area, and work with approved safety equipment, such as those dust masks that are specially designed to filter out microscopic particles.

 **WARNING:** This product can expose you to chemicals including lead and Di(2-ethylhexyl) phthalate (DEHP) which are known to the State of California to cause cancer and birth defects or other reproductive harm. For more information go to www.P65Warnings.ca.gov.

GENERAL POWER TOOL SAFETY WARNINGS

 **WARNING!** Read all safety warnings and all instructions. Failure to follow the warnings and instructions may result in electric shock, fire and/or serious injury.

Save all warnings and instructions for future reference. The term "power tool" in the warnings refers to your

mains-operated (corded) power tool or battery-operated (cordless) power tool.

1. WORK AREA SAFETY

- a) Keep work area clean and well lit. Cluttered or dark areas invite accidents.
- b) Do not operate power tools in explosive atmospheres, such as in the presence of flammable liquids, gases or dust. Power tools create sparks which may ignite the dust or fumes.
- c) Keep children and bystanders away while operating a power tool. Distractions can cause you to lose control.

2. ELECTRICAL SAFETY

- a) Power tool plugs must match the outlet. Never modify the plug in any way. Do not use any adapter plugs with earthed (grounded) power tools. Unmodified plugs and matching outlets will reduce risk of electric shock.
- b) Avoid body contact with earthed or grounded surfaces, such as pipes, radiators, ranges and refrigerators. There is an increased risk of electric shock if your body is earthed or grounded.
- c) Do not expose power tools to rain or wet conditions. Water entering a power tool will increase the risk of electric shock.
- d) Do not abuse the cord. Never use the cord for carrying, pulling or unplugging the power tool. Keep cord away from heat, oil, sharp edges or moving parts. Damaged or entangled cords increase the risk of electric shock.
- e) When operating a power tool outdoors, use an extension cord suitable for outdoor use. Use of a cord suitable for outdoor use reduces the risk of electric shock.
- f) If operating a power tool in a damp location is

unavoidable, use a residual current device (RCD) protected supply. *Use of an RCD reduces the risk of electric shock.*

3. PERSONAL SAFETY

- a) **Stay alert, watch what you are doing and use common sense when operating a power tool. Do not use a power tool while you are tired or under the influence of drugs, alcohol or medication. A moment of inattention while operating power tools may result in serious personal injury.**
- b) **Use personal protective equipment. Always wear eye protection. Protective equipment such as dust mask, non-skid safety shoes, hard hat, or hearing protection used for appropriate conditions will reduce personal injuries.**
- c) **Prevent unintentional starting. Ensure the switch is in the off-position before connecting to power source and/or battery pack, picking up or carrying the tool. Carrying power tools with your finger on the switch or energising power tools that have the switch on invites accidents.**
- d) **Remove any adjusting key or wrench before turning the power tool on. A wrench or a key left attached to a rotating part of the power tool may result in personal injury.**
- e) **Do not overreach. Keep proper footing and balance at all times. This enables better control of the power tool in unexpected situations.**
- f) **Dress properly. Do not wear loose clothing or jewellery. Keep your hair, clothing and gloves away from moving parts. Loose clothes, jewellery or long hair can be caught in moving parts.**
- g) **If devices are provided for the connection of dust extraction and collection facilities, ensure these are connected and properly used. Use of dust collection can reduce dust-related hazards.**

4. POWER TOOL USE AND CARE

- a) **Do not force the power tool. Use the correct power tool for your application. The correct power tool will do the job better and safer at the rate for which it was designed.**
- b) **Do not use the power tool if the switch does not turn it on and off. Any power tool that cannot be controlled with the switch is dangerous and must be repaired.**
- c) **Disconnect the plug from the power source and/or the battery pack from the power tool before making any adjustments, changing accessories, or storing power tools. Such preventive safety measures reduce the risk of starting the power tool accidentally.**
- d) **Store idle power tools out of the reach of children**

and do not allow persons unfamiliar with the power tool or these instructions to operate the power tool. *Power tools are dangerous in the hands of untrained users.*

- e) **Maintain power tools. Check for misalignment or binding of moving parts, breakage of parts and any other condition that may affect the power tool's operation. If damaged, have the power tool repaired before use. Many accidents are caused by poorly maintained power tools.**
 - f) **Keep cutting tools sharp and clean. Properly maintained cutting tools with sharp cutting edges are less likely to bind and are easier to control.**
 - g) **Use the power tool, accessories and tool bits etc. in accordance with these instructions, taking into account the working conditions and the work to be performed. Use of the power tool for operations different from those intended could result in a hazardous situation.**
- ### 5. SERVICE
- a) **Have your power tool serviced by a qualified repair person using only identical replacement parts. This will ensure that the safety of the power tool is maintained.**

HAMMER SAFETY WARNINGS

1. **Wear ear protectors. Exposure to noise can cause hearing loss.**
2. **Use auxiliary handle(s), if supplied with the tool. Loss of control can cause personal injury.**
3. **Hold power tool by insulated gripping surfaces, when performing an operation where the cutting accessory may contact hidden wiring or its own cord. Cutting accessory contacting a "live" wire may make exposed metal parts of the power tool "live" and could give the operator an electric shock.**

SYMBOLS



To reduce the risk of injury, user must read instruction manual



Wear eye protection



Warning



Wear dust mask



Wear ear protection



Double insulation

TECHNICAL DATA

Type DX26U (26 - designation of machinery, representative of rotary hammer)

Voltage		120V-60Hz
Rated power		8A
No load speed		0-1,200 /min
Impact rate		0-5,300 bpm
Impact energy		2 ft/lbs (3.0 J)
Chuck type		SDS-Plus
Max. drilling capacity	Steel	1/2 in. (13 mm)
	Masonry	1 in. (26 mm)
	Wood	1-3/16 in. (30 mm)
Protection class		 /II
Machine weight		7.06 lbs (3.2 kg)

EN

ACCESSORIES

Auxiliary handle	1
Depth gauge	1

We recommend that you purchase your accessories from the same store that sold you the tool. Refer to the accessory packaging for further details. Store personnel can assist you and offer advice.

OPERATING INSTRUCTIONS



NOTE: Before using the tool, read the instruction book carefully.

INTENDED USE

The machine is intended for hammer drilling in concrete, brick and stone as well as for light chiseling work. It is also suitable for drilling without impact in wood, metal, ceramic and plastic.

ASSEMBLY

1. INSTALLING THE AUXILIARY HANDLE (SEE FIG. A)

For your personal safety we recommend using the auxiliary handle at all times.

Rotate the handgrip of the auxiliary handle counter-clockwise to loosen the clamping ring. Slide the clamping ring of the auxiliary handle over the handle collar of the hammer, and rotate the handle around the collar until the handle is in a desired working position. Rotate the handgrip clockwise to tighten the auxiliary handle in place.



WARNING: The auxiliary handle must be used during operation.

2. INSTALLING THE DEPTH GAUGE (SEE FIG. B)

The depth gauge can be used to set a constant depth to drill. Rotate the locking screw (a) on the top of the auxiliary handle counter-clockwise to loosen, insert the depth gauge into the hole of the handle. Adjust it to the desired depth. Rotate the locking screw clockwise to tighten.

3. INSERTING AND REMOVING DRILL BIT (NOT SUPPLIED) (SEE FIG. C)

Take care that the dust protection cap is not damaged when changing tools.

- INSERTING

Clean and lightly oil the bit before inserting. Insert the dust-free bit directly into the tool holder with a twisting motion until it latches. The bit locks itself. Check the locking by pulling on the tool.

- REMOVING

Retract back the tool holder locking sleeve and pull out the bit.



WARNING: Your new rotary hammer generates powerful forces to get your job done quickly and effectively. These forces may cause inferior quality SDS bits to break and jam in the chuck. We therefore recommend that only high quality SDS bits be used with this tool.

OPERATION

1. ON/OFF SWITCH WITH VARIABLE SPEED CONTROL (SEE FIG. D)

Depress the On/Off switch to start and release it to stop your tool. This tool has a variable speed switch that delivers higher speeds with increased on/off switch pressure or delivers lower speeds with reduced on/off switch pressure - speed is controlled by varying the pressure applied to the switch.

2. SWITCH LOCK-ON BUTTON (SEE FIG. E)

Depress the on/off switch then the lock on button, release the on/off switch first and the lock-on button second. Your switch is now locked on for continuous use. To switch off your tool just depress and release the on/off switch.

3. CHANGING ROTATIONAL DIRECTION (SEE FIG. F1, F2)

With the hammer pointing away from you, push the forward/reverse-lever to the "←" for forward rotation. Push the forward/reverse-lever to the "→" for reverse rotation.

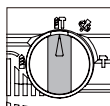


WARNING: Never change the direction of rotation while the tool is rotating, wait until it has stopped.

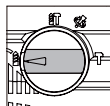
4. FUNCTION MODE SELECTION (SEE FIG. G)

The operation of the gearbox for each application is set with the function mode selector dial. To change between functions, depress the unlocking button (b) and rotate the selector dial to the desired operating mode.

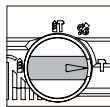
NOTE: After rotate to the required position, move the selector dial to left or right a little to check if the dial is locked in place.



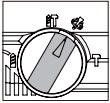
Mode for simultaneous drilling and impacting of concrete, masonry





Mode for drilling into steel, wood and plastics



Mode for chiseling



Mode for adjust the chuck angle of chiseling

NOTE: Select this function mode “” first , adjust the chuck angle to desired direction. Then select the fuction mode to “”, operate the chiseling work.



WARNING: The operating mode selector switch may be actuated only at a standstill.

WORKING HINTS FOR YOUR TOOL

1. Reduce the pressure on the drill bit when it is about to break through. This will prevent the drill from jamming.
2. When drilling a large hole, first drill a pilot hole using a smaller drill bit.
3. Always apply pressure to your drill bit in a straight line, and if possible at right angles to the workpiece.
4. Never change the operating mode whilst the rotary hammer is running.
5. Do not apply excessive pressure to the tool when chiseling. Excessive force does not speed up the work.

MAINTENANCE

Remove the plug from the socket before carrying out any adjustment, servicing or maintenance.

There are no user serviceable parts in your power tool. Never use water or chemical cleaners to clean your power tool. Wipe clean with a dry cloth. Always store your power tool in a dry place. Keep the motor ventilation slots clean. Keep all working controls free of dust. Occasionally you may see sparks through the ventilation slots. This is normal and will not damage your power tool.

If the supply cord is damaged, it must be replaced by the manufacturer, its service agent or similarly qualified persons in order to avoid a hazard.

TROUBLESHOOTING


1. If your power tool does not start, check the plug on the power supply first.
2. If your hammer becomes too hot in use, set the hammer switch to the drill mode and allow your drill to operate at maximum speed without load for 2 minutes.
3. If your hammer work efficiency is too low, please add sufficient grease in the grease box.
4. If your hammer use in low efficiency, please check whether the tool is blunt.
5. If a fault can not be rectified, return the tool to an authorized dealer for repair.

LISTE DES ÉLÉMENTS

1. CAPUCHON DE PROTECTION CONTRE LA POUSSIÈRE
2. MANCHON DE VERROUILLAGE PORTE-OUTIL
3. JAUGE DE PROFONDEUR
4. CADRAN DE SÉLECTION DU MODE DE FONCTIONNEMENT
5. CONTRÔLE AVANT ET INVERSE DE LA ROTATION
6. BOUTON DE VERROUILLAGE DE L'INTERRUPTEUR
7. INTERRUPTEUR MARCHÉ / ARRÊT À VITESSE VARIABLE
8. POIGNÉE AUXILIAIRE

Les accessoires illustrés ou décrits ne sont pas tous compris dans le cadre de la livraison standard.

SÉCURITÉ DU PRODUIT

 **AVERTISSEMENT:** Certaines des poussières produites en utilisant des outils électriques sont considérées par l'État de Californie comme susceptibles de provoquer le cancer, des anomalies congénitales et d'autres problèmes de reproduction.


Voici des exemples de ces produits chimiques:

- Plomb issu de peinture à base de plomb;
- Silice cristalline issue de briques et du ciment et autres produits de maçonnerie;
- Arsenic et chrome issus de bois traité chimiquement.

Votre risque de ces expositions varie en fonction de la fréquence à laquelle vous effectuez ce travail. Pour réduire votre exposition à ces produits chimiques : travaillez dans une zone bien ventilée; portez un équipement de sécurité approuvé, tel que des masques anti poussières spécialement conçus pour éliminer les particules microscopiques par filtrage.

 **AVERTISSEMENT:** Ce dispositif peut vous exposer aux produits chimiques notamment le plomb et le di-phtalate (de 2-éthylhexyle) (DEHP) qui sont reconnus dans l'État de Californie comme causant des cancers et des anomalies congénitales ou d'autres anomalies de la reproduction. Pour en savoir plus, veuillez consulter le site www.P65Warnings.ca.gov.

AVERTISSEMENTS GÉNÉRAUX CONCERNANT LA SÉCURITÉ DES OUTILS ÉLECTRIQUES

 **AVERTISSEMENT:** Lisez et assimilez toutes les instructions. Le non-respect des instructions ci-après peut entraîner un risque de choc électrique, d'incendie et/ou de blessures graves.

Conservez tous les avertissements et instructions pour pouvoir les consulter ultérieurement.

L'expression « outil électrique » dans tous les avertissements énumérés ci-dessous se réfère à votre outil électrique fonctionnant sur secteur (branché) ou à batterie (sans-fil).

1. SÉCURITÉ SUR LA ZONE DE TRAVAIL

- a) Maintenir une zone de travail propre et bien éclairée. Des zones encombrées et mal éclairées sont sources d'accidents.
- b) Ne pas utiliser d'appareils électriques dans des environnements explosifs, tels qu'à proximité de liquides, de gaz ou de poussières inflammables. Les appareils électriques produisent des étincelles susceptibles d'enflammer la poussière ou les vapeurs présentes.
- c) Éloigner les enfants et toute personne se trouvant à proximité pendant l'utilisation d'un appareil électrique. Ceux-ci pourraient vous distraire et vous faire perdre la maîtrise de l'appareil.

2. SÉCURITÉ ÉLECTRIQUE

- a) Les prises des appareils électriques doivent correspondre aux prises du secteur. Ne modifiez jamais la prise en aucune façon. Ne jamais utiliser d'adaptateur sur la prise électrique d'appareil mis à la terre. Des prises non modifiées, adaptées aux boîtiers de prise de courant, réduiront les risques de décharge électrique.
- b) Éviter le contact corporel avec les surfaces mises à la terre telles que tuyaux, radiateurs, cuisinières et réfrigérateurs. Le risque de décharge électrique est plus important si votre corps est mis à la terre.
- c) Ne pas exposer votre appareil électrique à la

pluie ou à l'humidité. L'infiltration d'eau dans un appareil électrique augmentera le risque de décharge électrique.

- d) **Ne pas maltraiter le cordon électrique. N'utilisez jamais le cordon électrique pour porter, tirer ou débrancher l'appareil électrique. Conservez le cordon électrique à l'écart de la chaleur, de l'essence, de bords tranchants ou de pièces en mouvement. Un cordon électrique endommagé ou entortillé accroît le risque de décharge électrique.**
- e) **Au cas où l'appareil électroportatif serait utilisé à l'extérieur, servez-vous d'une rallonge appropriée à une utilisation en extérieur. Cela réduit le risque de décharge électrique.**
- f) **Si une utilisation de l'appareil dans un environnement humide ne peut être évitée, utilisez une alimentation protégée par un disjoncteur différentiel. L'utilisation d'un disjoncteur différentiel réduit le risque de décharge électrique.**

3. SÉCURITÉ DES PERSONNES

- a) **Rester vigilant et faire preuve de bon sens lors de la manipulation de l'appareil. Ne pas utiliser d'appareil électrique en état de fatigue ou sous l'influence de drogues, d'alcool ou de médicaments. Un moment d'inattention pendant l'utilisation d'un appareil électrique peut se traduire par des blessures graves.**
- b) **Porter des équipements de protection. Porter toujours des lunettes de protection. Le port d'équipements de protection tels que des masques à poussières, des chaussures de sécurité antidérapantes, un casque de sécurité ou des protections antibruit, selon le travail à effectuer, réduira le risque de blessures aux personnes.**
- c) **Éviter tout démarrage accidentel. S'assurer que la gâchette marche-arrêt soit en position d'arrêt (Off) avant de brancher l'appareil sur l'alimentation secteur. Porter un appareil électrique tout en maintenant le doigt posé sur la gâchette ou brancher un appareil électrique dont la gâchette est sur la position de marche est source d'accidents.**
- d) **Enlever toute clé ou tout instrument de réglage avant de mettre l'appareil électrique en marche. Une clé ou un instrument de réglage resté fixé à un élément en rotation de l'appareil électrique peut entraîner des blessures physiques.**
- e) **Ne pas essayer d'atteindre une zone hors de portée. Se tenir toujours en position stable et conserver l'équilibre. Cela permet de mieux**

contrôler l'appareil électrique dans des situations inattendues.

- f) **Porter des vêtements appropriés. Ne pas porter de vêtements amples ou des bijoux pendants. Garder les cheveux et vêtements à l'écart des parties mobiles. Les vêtements amples, les bijoux pendants ou les cheveux longs peuvent être happés par les pièces en mouvement.**
- g) **Si l'appareil est pourvu de dispositifs destinés au raccord d'équipements d'extraction et de récupération de la poussière/sciure, s'assurer qu'ils soient bien fixés et utilisés correctement. L'utilisation de ces dispositifs peut réduire les risques dus à la poussière.**

4. UTILISATION ET ENTRETIEN D'APPAREILS ÉLECTRIQUES

- a) **Ne pas surcharger l'appareil électrique. Utiliser l'appareil électrique approprié au travail à effectuer. Un appareil électrique adapté et employé au rythme pour lequel il a été conçu permettra de réaliser un travail de meilleure qualité et dans de meilleures conditions de sécurité.**
- b) **Ne pas utiliser un appareil électrique dont l'interrupteur marche-arrêt est hors service. Tout appareil électrique dont la commande ne s'effectue plus par la gâchette marche/arrêt est dangereux et doit être réparé.**
- c) **Débrancher l'appareil électrique avant d'effectuer tout réglage, changement d'accessoire ou avant de le ranger. De telles mesures préventives réduiront les risques de démarrage accidentel.**
- d) **Ranger les appareils électriques inutilisés hors de portée des enfants et ne pas permettre l'utilisation de ces appareils aux personnes novices ou n'ayant pas connaissance de ces instructions. Les appareils électriques sont dangereux dans les mains d'utilisateurs inexpérimentés.**
- e) **Veiller à l'entretien des appareils électriques. Vérifier que les éléments rotatifs soient bien alignés et non grippés. S'assurer de l'absence de pièces cassées ou endommagées susceptibles de nuire au bon fonctionnement de l'appareil. Si l'appareil électrique est endommagé, le faire réparer avant toute utilisation. De nombreux accidents sont causés par l'utilisation d'appareils électriques mal entretenus.**
- f) **Garder les appareils de coupe affûtés et propres. Des appareils de coupe bien entretenus, aux tranchants bien affûtés, sont moins susceptibles de se gripper et sont plus faciles à contrôler.**
- g) **Utiliser l'appareil électrique, les accessoires et les appareils à monter, etc., conformément à**

ces instructions et selon l'utilisation prévue pour le type d'appareil donné, en tenant compte des conditions de travail et de la tâche à réaliser. Toute utilisation de cet outil électrique autre que celle pour laquelle il a été conçu peut entraîner des situations à risque et entraînerait une annulation de sa garantie.

5. ENTRETIEN

- a) **Ne faire réparer l'appareil électrique que par un réparateur qualifié utilisant uniquement des pièces de rechange identiques.** Cela permettra d'assurer la sécurité continue de cet outil électrique.

AVERTISSEMENTS DE SÉCURITÉ POUR LE MARTEAU

- 1. Portez des protections auditives.** L'exposition au bruit peut entraîner une perte d'audition.
- 2. Utilisez la/les poignée(s) auxiliaire(s) lorsqu'elle(s) est/sont fournie(s).** La perte de contrôle peut donner lieu à des blessures.
- 3. Tenez les outils électriques par des surfaces de prise isolées lorsque vous effectuez une opération où l'accessoire de coupe peut entrer en contact avec des fils cachés.** La coupure d'un accessoire entrant en contact avec un fil «sous tension» peut rendre les parties métalliques exposées de l'outil électrique «sous tension» et provoquer un choc électrique pour l'opérateur.

SYMBOLES



Afin de réduire les risques de blessure, l'utilisateur doit lire ce mode d'emploi.



Avertissement



Portez une protection auditive



Portez un protecteur oculaire



Portez un masque anti-poussières.



Double isolation

DONNÉES TECHNIQUES

Type DX26U (désignation 26 de la machine, représentative de la marteau)

Tension		120V-60Hz
Puissance nominale		8A
Vitesse à vide		0-1,200 /min
Fréquence de percussion		0-5,300 bpm
Force de percussion		2 ft/lbs (3.0 J)
Type de mandrin		SDS-Plus
Capacité de perçage maximale	Acier	1/2 in. (13 mm)
	Maçonnerie	1 in. (26 mm)
	Bois	1-3/16 in. (30 mm)
Classe de protection		□/II
Poids de la machine		7.06 lbs (3.2 kg)

ACCESSOIRES

Poignée auxiliaire		1
Jauge de profondeur		1

Nous vous recommandons d'acheter tous vos accessoires du même magasin qui vous a vendu l'outil. Pour de plus amples renseignements, consultez l'emballage de l'accessoire. Le personnel du magasin peut également vous conseiller.

FR

INSTRUCTIONS D'UTILISATION



REMARQUE: Avant d'utiliser cet outil, assurez-vous de lire attentivement le manuel d'utilisation.

UTILISATION PRÉVUE

La machine est destinée au perçage dans le béton, la brique et la pierre ainsi que pour les travaux de burinage légers.. Il convient également au perçage sans impact dans le bois, le métal, la céramique et le plastique.

ASSEMBLAGE

1. REGLAGE DE LA POIGNÉE AUXILIAIRE (VOIR FIG. A)

Pour votre sécurité personnelle, nous vous recommandons d'utiliser la poignée auxiliaire à tout moment.

Tournez la poignée auxiliaire dans le sens antihoraire pour desserrer la bague de serrage. Faites glisser la bague de serrage de la poignée auxiliaire sur le collier de la poignée du marteau et faites tourner la poignée autour du collier jusqu'à ce que la poignée soit dans la position de travail souhaitée. Tournez la poignée dans le sens horaire pour serrer la poignée auxiliaire en place.



AVERTISSEMENT: La poignée auxiliaire doit être utilisée pendant le fonctionnement.

2. INSTALLATION DE LA JAUGE DE PROFONDEUR (VOIR FIG. B)

La jauge de profondeur peut être utilisée pour définir une profondeur constante de forage. Tournez la vis de verrouillage (a) sur le dessus de la poignée auxiliaire dans le sens inverse des aiguilles d'une montre pour desserrer, insérez la jauge de profondeur dans le trou de la poignée. Réglez-le à la profondeur souhaitée. Tournez la vis de verrouillage dans le sens des aiguilles d'une montre pour serrer.

3. INSERTION ET RETRAIT DE FORET (NON FOURNI) (VOIR FIG. C)

Veillez à ce que le capuchon de protection contre la poussière ne soit pas endommagé lors du changement d'outils.

- INSERTION

Nettoyez et huilez légèrement le foret avant de l'insérer. Insérez le foret sans poussière dans le porte-foret avec un mouvement de torsion jusqu'à ce qu'il se verrouille. L'embout se verrouille. Vérifiez le verrouillage en tirant sur l'outil.

- RETRAIT

Rentrer le manchon de verrouillage du porte-outil et retirer le foret.



AVERTISSEMENT: Votre nouveau marteau rotatif génère des forces puissantes pour effectuer

votre travail rapidement et efficacement. Ces forces peuvent provoquer la rupture et le blocage des embouts SDS de qualité inférieure dans le mandrin. Nous recommandons donc que seuls des embouts SDS de haute qualité soient utilisés avec cet outil.

OPÉRATION


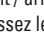
1. INTERRUPTEUR MARCHÉ / ARRÊT AVEC COMMANDE DE VITESSE VARIABLE (VOIR FIG. D)

Appuyez sur l'interrupteur marche / arrêt pour démarrer et relâchez-le pour arrêter votre outil. Cet outil a un interrupteur à vitesse variable qui fournit des vitesses plus élevées avec une pression de commutation On / Off forte ou des vitesses plus faibles avec une pression de commutation On / Off réduite - la vitesse est contrôlée en faisant varier la pression appliquée à l'interrupteur.

2. BOUTON DE VERROUILLAGE DE LA COMMUTATEUR (VOIR FIG. E)

Appuyez sur l'interrupteur marche / arrêt puis sur le bouton de verrouillage, relâchez d'abord l'interrupteur marche / arrêt et puis le bouton de verrouillage. Votre interrupteur est maintenant verrouillé pour une utilisation continue. Pour éteindre votre outil, appuyez et relâchez simplement l'interrupteur marche / arrêt.

3. MODIFICATION DE LA DIRECTION DE ROTATION (VOIR FIG. F1, F2)

Avec le marteau pointé loin de vous, poussez le levier avant / arrière sur le «» pour une rotation vers l'avant. Poussez le levier avant / arrière sur le «» pour une rotation vers l'arrière.

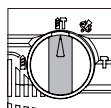


AVERTISSEMENT: Ne changez jamais le sens de rotation lorsque l'outil tourne, attendez qu'il soit arrêté.

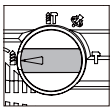
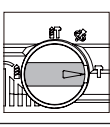
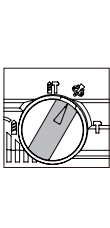

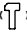
4. SÉLECTION DU MODE DE FONCTION (VOIR FIG. G)

Le fonctionnement de la boîte de vitesses pour chaque application est réglé avec le sélecteur de mode de fonction. Pour passer d'une fonction à l'autre, appuyez sur le bouton de déverrouillage (b) et tournez la molette de sélection sur le mode de fonctionnement souhaité.

REMARQUE: Après avoir tourné jusqu'à la position requise, déplacez un peu le sélecteur vers la gauche ou la droite pour vérifier si le cadran est verrouillé en place.



Mode pour le forage et l'impact du béton, Maçonnerie de façon simultanée.

	<p>Mode ou perçage dans l'acier, le bois et les plastiques</p>
	<p>Mode pour ou burinage</p>
	<p>Mode pour ajuster l'angle de mandrin de burinage. REMARQUE: Sélectionnez d'abord ce mode de fonction sur «  », ajustez l'angle du mandrin dans la direction souhaitée. Sélectionnez ensuite le mode de fonction sur «  », effectuez le travail de burinage.</p>

AVERTISSEMENT: Le sélecteur de mode de fonctionnement ne peut être actionné qu'à l'arrêt de la machine.

CONSEILS DE TRAVAIL POUR VOTRE OUTIL

1. Réduisez la pression sur le foret lorsqu'il est sur le point de percer. Cela empêchera le foret de se coincer.
2. Lorsque vous percez un grand trou, percez d'abord un trou pilote à l'aide d'un foret plus petit.
3. Appliquez toujours une pression sur votre foret en ligne droite, et si possible à angle droit par rapport à la pièce.
4. Ne changez jamais le mode de fonctionnement lorsque le marteau rotatif est en marche.
5. N'appliquez pas de pression excessive sur l'outil lors du burinage. La force expressive n'accélère pas le travail.

ENTRETIEN

Retirez la prise de la prise murale avant d'effectuer n'importe quel travail de réglage, de réparation ou d'entretien.

Votre outil électrique ne nécessite aucune lubrification ou entretien additionnels. L'outil ne comporte aucune pièce susceptible d'être remplacée par l'utilisateur lui-même. N'utilisez jamais d'eau ou de produits chimiques pour nettoyer votre outil électrique. Nettoyez à l'aide d'un chiffon sec. Rangez toujours votre outil électrique dans un endroit sec. Veillez à ce que les événements moteur soient

propres en permanence. Maintenez tous les dispositifs de contrôle exempts de poussières. Il est possible que l'outil produise occasionnellement des étincelles pouvant être vues à travers les événements moteur. Ceci est tout à fait normal et n'endommagera pas l'outil.

Si le cordon électrique est endommagé, il doit être remplacé par le fabricant, son réparateur agréé ou une personne aux qualifications similaires afin d'éviter tout risque.

DÉPANNAGE


1. Si votre outil électrique ne démarre pas, vérifiez la prise sur l'alimentation d'abord.
2. Si votre marteau devient trop chaud lors d'utilisation, réglez l'interrupteur du marteau sur le mode de perçage et laissez votre perceuse fonctionner à vitesse maximale sans charge pendant 2 minutes.
3. Si l'efficacité de votre marteau est trop faible, veuillez ajouter suffisamment de graisse dans le bac à graisse.
4. Si votre marteau est utilisé dans une condition à faible efficacité, veuillez vérifier si l'outil est émoussé.
5. Si un défaut ne peut pas être corrigé, renvoyez l'outil à un revendeur agréé pour réparation.

LISTA DE COMPONENTES

1. TAPA DE PROTECCIÓN CONTRA EL POLVO
2. MANGUITO DE BLOQUEO DEL PORTAHERRAMIENTAS
3. MEDIDOR DE PROFUNDIDAD
4. INTERRUPTOR PARA LA SELECCIÓN DE LOS MODOS DE FUNCIONAMIENTO
5. CONTROL DE ROTACIÓN HACIA DELANTE Y HACIA DETRÁS
6. BOTÓN DE BLOQUEO DEL INTERRUPTOR
7. INTERRUPTOR DE ENCENDIDO/APAGADO CON CONTROL DE VELOCIDAD VARIABLE
8. MANGO AUXILIAR


No todos los accesorios ilustrados o descritos se incluyen junto con el producto estándar.

SEGURIDAD DEL PRODUCTO


 **ADVERTENCIA:** El polvo originado por la utilización de herramientas motorizadas contiene químicos que, según el Estado de California, causan cáncer, defectos congénitos y otros daños reproductivos. Algunos ejemplos de esos productos químicos son:

- El plomo de las pinturas a base de plomo;
- La sílice cristalina de los ladrillos, del cemento y de otros productos de albañilería;
- El arsénico y el cromo de la madera tratada químicamente.

El riesgo que se corre a causa del contacto con esos productos varía según la frecuencia con que usted realice este tipo de trabajos. Con el fin de reducir su exposición a esas sustancias químicas: trabaje en un área bien ventilada; utilice un equipo de seguridad adecuado, tal como una máscara contra el polvo especialmente diseñada para filtrar partículas microscópicas.

 **ADVERTENCIA:** Este producto puede exponerlo a sustancias químicas, como plomo y di (2-etilhexilo) ftalato (DEHP), que el estado de California reconoce como causantes de cáncer y defectos de nacimiento u otros daños reproductivos. Para más información visite www.P65Warnings.ca.gov.

ADVERTENCIAS DE SEGURIDAD GENERALES PARA LA HERRAMIENTA MOTORIZADA

 **ADVERTENCIA!** Lea y comprenda todas las instrucciones. El no seguir todas las instrucciones a continuación puede ocasionar descargas eléctricas, incendios y/o heridas graves.

Conserve todas las advertencias e instrucciones para consulta futura.

El término “herramienta eléctrica” que figura en todas las advertencias que aparecen a continuación hace referencia a la herramienta que funciona con la red de suministro eléctrico (con cable) o a la herramienta eléctrica accionada a baterías (sin cable).

1. ÁREA DE TRABAJO

- a) Mantenga su lugar de trabajo limpio y bien iluminado. Bancos de trabajo desordenados y lugares oscuros invitan a los accidentes.
- b) No utilice herramientas eléctricas en atmósferas explosivas, como por ejemplo en presencia de líquidos, inflamables, gases o polvo. Las herramientas eléctricas crean chispas que pueden encender el polvo o los vapores.
- c) Mantenga a los espectadores, niños y visitantes a una distancia prudente cuando esté utilizando una herramienta eléctrica. Las distracciones pueden hacerle perder el control.

2. SEGURIDAD ELÉCTRICA

- a) Los enchufes de las herramientas eléctricas deben coincidir con el tomacorriente. No modifique de algún modo el enchufe. No utilice enchufes adaptadores con herramientas eléctricas conectadas a tierra. Si no se modifican los enchufes y se utilizan los tomacorrientes adecuados, se reducirá el riesgo de una descarga eléctrica.
- b) Evite el contacto del cuerpo con las superficies conectadas a tierra tales como tuberías, radiadores, estufas de cocina y refrigeradores. Existe mayor riesgo de que se produzcan descargas eléctricas si su cuerpo está conectado a tierra.
- c) No exponga las herramientas eléctricas a la lluvia

ni a los ambientes húmedos. *La entrada de agua en una herramienta eléctrica aumenta el riesgo de que se produzcan descargas eléctricas.*

- d) **No abuse del cable. Nunca use el cable para transportar las herramientas ni para sacar el enchufe de un tomacorriente.** *Mantenga el cable alejado del calor, el aceite, los bordes afilados o las piezas móviles. Los cables dañados aumentan el riesgo de que se produzcan descargas eléctricas.*
- e) **Cuando opere una herramienta eléctrica en exteriores, use un cable de extensión adecuado para uso en exteriores.** *El uso de un cable adecuado para uso en exteriores reduce el riesgo de descargas eléctricas.*
- f) **Si operar una herramienta eléctrica en un lugar húmedo es inevitable, use un elemento protegido del dispositivo de corriente residual (RCD).** *El uso de un RCD reduce el riesgo de descargas eléctricas.*

3. SEGURIDAD PERSONAL

- a) **Manténgase alerta, fíjese en lo que está haciendo y use el sentido común cuando utilice una herramienta eléctrica. No use la herramienta cuando esté cansado o se encuentre bajo la influencia de drogas, alcohol o medicamentos.** *Un momento de distracción al utilizar herramientas eléctricas puede dar lugar a lesiones personales graves.*
- b) **Utilice equipo de seguridad. Use siempre protección ocular.** *La utilización del equipo de seguridad como mascarera antipolvo, zapatos de seguridad antideslizantes, casco o protección auditiva para condiciones adecuadas reducirá el riesgo de lesiones personales.*
- c) **Evite el arranque accidental. Asegúrese de que el interruptor esté en la posición de trabado o de apagado antes de instalar el paquete de baterías.** *Transportar herramientas con el dedo en el interruptor o instalar el paquete de batería cuando el interruptor está encendido invitan a los accidentes.*
- d) **Retire las llaves o claves de ajuste antes de encender la herramienta.** *Una llave o clave de ajuste dejada en una parte giratoria de la herramienta puede causar una lesión personal.*
- e) **No intente alcanzar demasiado lejos. Mantenga un apoyo de los pies y un equilibrio adecuados en todo momento.** *El apoyo de los pies y el equilibrio adecuados permiten un mejor control de la herramienta en situaciones inesperadas.*
- f) **Vístase apropiadamente. No se ponga ropa holgada**

ni joyas. Mantenga su cabello, ropa y guantes alejados de las piezas móviles. *La ropa holgada, las joyas o el pelo largo pueden quedar atrapados en las piezas móviles.*

- g) **Si se proporcionan dispositivos para la extracción y recolección de polvo, asegúrese que estos estén conectados y utilizados correctamente.** *El uso de estos dispositivos puede reducir peligros relacionados con el polvo.*

4. USO Y CUIDADO DE LA HERRAMIENTA

- a) **No fuerce la herramienta. Emplee la herramienta correcta para la aplicación que desea.** *La herramienta correcta hará el trabajo mejor y con más seguridad a la capacidad nominal para la que está diseñada.*
- b) **No utilice la herramienta si el interruptor no la enciende o apaga.** *Toda herramienta que no se pueda controlar con el interruptor es peligrosa y debe ser reparada.*
- c) **Desconecte la batería de la herramienta o ponga el interruptor en la posición de trabado o de apagado antes de hacer cualquier ajuste, cambio de accesorios o guardar la herramienta.** *Estas medidas de seguridad preventivas reducen el riesgo de encender la herramienta accidentalmente.*
- d) **Guarde las herramientas cuando no esté usando fuera del alcance de los niños y otras personas no capacitadas.** *Las herramientas son peligrosas en las manos de los usuarios no capacitados.*
- e) **Mantenga las herramientas con cuidado. Compruebe la desalineación o el atasco de las piezas móviles, la ruptura de piezas y cualquier otra situación que pueda afectar el funcionamiento de las herramientas.** *Si la herramienta está dañada, hágala arreglar antes de usarla. Muchos accidentes son causados por herramientas mantenidas deficientemente.*
- f) **Conserve las herramientas de corte afiladas y limpias.** *Las herramientas mantenidas adecuadamente, con bordes de corte afilados, tienen menos probabilidades de atascarse y son más fáciles de controlar.*
- g) **Utilice la herramienta eléctrica, accesorios, brocas de la herramienta, etc. de acuerdo con estas instrucciones y de la manera adecuada para el tipo de herramienta eléctrica, teniendo en cuenta las condiciones de trabajo y el trabajo que se realizará.** *La utilización de la herramienta eléctrica para operaciones diferentes de aquellas para las que se encuentra diseñada podría dar lugar a una situación peligrosa.*

5. REPARACIÓN

- a) **La herramienta debe ser reparada por una persona calificada de servicio técnico y se deben utilizar partes de reemplazo idénticas.** *Esto asegurará el mantenimiento de la seguridad de la herramienta eléctrica.*

ADVERTENCIAS DE SEGURIDAD SOBRE EL MARTILLO

1. **Use protectores auditivos.** *La exposición al ruido puede causar pérdida auditiva.*
2. **Utilice mango(s) auxiliar(es), si viene(n) incluido(s) con la herramienta.** *La pérdida de control puede causar lesiones personales.*
3. **Sujete la herramienta por las superficies de agarre aisladas, cuando realice una operación donde el accesorio de corte pueda entrar en contacto con cables ocultos.** *El accesorio de corte que hace contacto con un cable de fase puede hacer que las partes metálicas expuestas de la herramienta se vuelvan "activas" y podría causar al operador una descarga eléctrica.*

SÍMBOLOS



Para reducir el riesgo de lesiones, el usuario deberá leer el manual de instrucciones



Advertencia



Use protección auditiva



Use lentes de seguridad



Use máscara contra el polvo



Doble aislamiento

DATOS TÉCNICOS

Tipo DX26U (designación de maquinaria 26, representante de martillo)

Voltaje		120V-60Hz
Potencia nominal		8A
Velocidad sin carga		0-1,200 /min
Tasa de impacto		0-5,300 bpm
Energía de impacto		2 ft/lbs (3.0 J)
Tipo de mandril		SDS-Plus
Capacidad máxima de perforación	Acero	1/2 in. (13 mm)
	Hormigón	1 in. (26 mm)
	Madera	1-3/16 in. (30 mm)
Clase de protección		 /II
Peso de la máquina		7.06 lbs (3.2 kg)

ACCESORIOS

Mango auxiliar	1
Medidor de profundidad	1

Le recomendamos que compre todos los accesorios en la tienda donde adquirió la herramienta. Consulte el empaque de los accesorios para obtener más detalles. El personal de la tienda también puede ayudarle y aconsejarle.

ES

INSTRUCCIONES DE USO



NOTA: Antes de usar la herramienta, lea atentamente el manual de instrucciones.

USO PREVISTO

La máquina está diseñada para perforar martillos en hormigón, ladrillos y piedras. También es adecuado para perforar sin impacto en madera, metal, cerámica y plástico.

ENSAMBLAJE

1. AJUSTE DE LA MANIJA AUXILIAR (VER FIG. A)

Por su seguridad personal, recomendamos utilizar el mango auxiliar en todo momento.

Gire la empuñadura del mango auxiliar en sentido contrario a las agujas del reloj para aflojar el anillo de sujeción. Deslice el anillo de sujeción del mango auxiliar sobre el collar del martillo y gire el mango alrededor del collar hasta que el mango esté en la posición de trabajo deseada. Gire la empuñadura en el mismo sentido a las agujas del reloj para apretar la manija auxiliar en su lugar.



ADVERTENCIA: El mango auxiliar debe utilizarse durante el funcionamiento.

2. AJUSTE DE LA MANIJA AUXILIAR (VER FIG. B)

El medidor de profundidad se puede utilizar para establecer una profundidad constante de perforación. Gire el tornillo de bloqueo (a) en la parte superior del mango auxiliar en sentido contrario a las agujas del reloj para aflojarlo, inserte el medidor de profundidad en el orificio del mango. Muévelo a la ubicación deseada. Gire el tornillo de bloqueo hacia la derecha para apretar.

3. INSERCIÓN Y EXTRACCIÓN DE LA BROCA DE PERFORACIÓN (NO SUMINISTRADA) (VER FIG. C)

Tenga cuidado de que la tapa de protección contra el polvo no se dañe al cambiar las herramientas.

- INSERTAR

Limpie y engrase ligeramente la broca antes de insertarla. Insertar la broca en el portaherramientas con un movimiento de torsión hasta que se cierre. La broca se bloquea a sí misma. Compruebe el bloqueo tirando de la herramienta.

- RETIRAR

Retirar hacia atrás el manguito de bloqueo del porta herramientas y extraer la broca.



ADVERTENCIA: Su nuevo martillo giratorio genera poderosas fuerzas para hacer su trabajo de forma rápida y eficaz. Estas fuerzas pueden

hacer que los bits SDS de calidad inferior se rompan y se atasquen en el mandril. Por lo tanto, recomendamos que sólo se utilicen bits SDS de alta calidad con esta herramienta.

OPERACIÓN

1. INTERRUPTOR DE ENCENDIDO/APAGADO CON CONTROL DE VELOCIDAD VARIABLE (VER FIG. D)

Presione el interruptor de encendido/apagado para iniciarlo y suéltelo para detener la herramienta. Esta herramienta tiene un interruptor de velocidad variable que ofrece velocidades más altas con una mayor presión del interruptor de encendido / apagado o velocidades más bajas con una presión reducida del interruptor de encendido / apagado: la velocidad se controla variando la presión aplicada al interruptor.

2. BOTÓN DE BLOQUEO DEL HUSILLO (VER FIG. E)

Presione el interruptor de encendido/apagado y luego el botón de bloqueo suelte primero el interruptor de encendido/apagado y el botón de bloqueo en segundo lugar. El interruptor ahora está bloqueado para uso continuo. Para apagar la herramienta, simplemente presione y suelte el interruptor de encendido/apagado.

3. CAMBIANDO LA DIRECCIÓN DE ROTACIÓN (VER FIG. F1, F2)

Con el martillo apuntando lejos de usted, empuje la palanca de avance / retroceso hacia " \leftarrow " para la rotación hacia adelante. Empuje la palanca de avance / retroceso hacia " \rightarrow " para la rotación inversa.

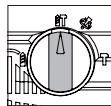


ADVERTENCIA: Nunca cambie la dirección de rotación mientras la herramienta está girando, espere hasta que se haya detenido.

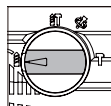
4. SELECCION DEL MODO DE FUNCIONAMIENTO (VER FIG. G)

El funcionamiento de la caja de cambios para cada aplicación se configura con el dial selector del modo de funciones. Para cambiar entre funciones, presione el botón de desbloqueo (a) y gire el selector al modo de operaciones deseado.

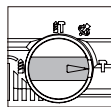
NOTA: Después de girar a la posición requerida, mueva el dial selector hacia la izquierda o hacia la derecha un poco para verificar si el dial está bloqueado en su lugar.



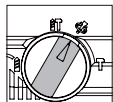
Modo para perforación simultánea e impacto de hormigón, mampostería.



Modo para perforar en acero, madera y plásticos y plásticos.



Modo para cincelado.



Modo para ajustar el ángulo de sujeción del cincel.

NOTA: Seleccione este modo de función “”, operar con el trabajo de cincelado.



ADVERTENCIA: El selector de modo de funcionamiento sólo se puede accionar en el punto

muerto.

CONSEJOS DE TRABAJO PARA SU PULIDORA

1. Reduzca la presión sobre la broca cuando esté a punto de romperse. Esto evitará que el taladro se atasque.
2. Al perforar un agujero grande, primero perfora un agujero piloto con una broca más pequeña.
3. Siempre aplique presión a su broca en línea recta y, si es posible, en ángulo recto con la pieza de trabajo.
4. Nunca cambie el modo de funcionamiento mientras el martillo giratorio esté funcionando.
5. No aplique presión excesiva a la herramienta al cincelar. La fuerza expresa no acelera el trabajo.

MANTENIMIENTO

Desconecte el enchufe de la toma de corriente antes de realizar ajustes, reparaciones o mantenimiento.

Su herramienta eléctrica no requiere mantenimiento ni lubricación adicional. No hay piezas que requieran mantenimiento en la herramienta eléctrica. Nunca utilice limpiadores químicos ni agua para limpiar la herramienta eléctrica. Limpie con un paño seco. Almacene la herramienta eléctrica siempre en un lugar seco. Mantenga limpias las ranuras de ventilación del motor. Mantenga todos los controles de trabajo sin polvo. Ocasionalmente, puede ver chispas en las ranuras de ventilación. Esto es normal y no dañará su herramienta eléctrica.

Si el cable de alimentación está dañado, el fabricante, su agente de servicio o alguna persona con una calificación similar deberá reemplazarlo para evitar cualquier peligro.

SOLUCIÓN DE PROBLEMAS

1. Si su herramienta eléctrica no arranca, primero verifique el enchufe de la fuente de alimentación.
2. Si su martillo se calienta demasiado al usarse, ajuste el interruptor del martillo al modo de perforación y permita que su taladro funcione a la velocidad máxima sin carga durante 2 minutos.
3. Si la eficiencia de trabajo de su martillo es demasiado baja, agregue suficiente lubricante en la caja de lubricantes.
4. Si su martillo se usa con baja eficiencia, verifique que si la herramienta está embotado.
5. Si no se puede corregir una falla, devuelva la herramienta a un distribuidor autorizado para su reparación.



www.catpowertools.com



©2021 Caterpillar. CAT, CATERPILLAR, their respective logos, "Caterpillar Yellow," the "Power Edge" trade dress as well as corporate and product identity used herein, are trademarks of Caterpillar and may not be used without permission. Positec Group Limited, a licensee of Caterpillar Inc