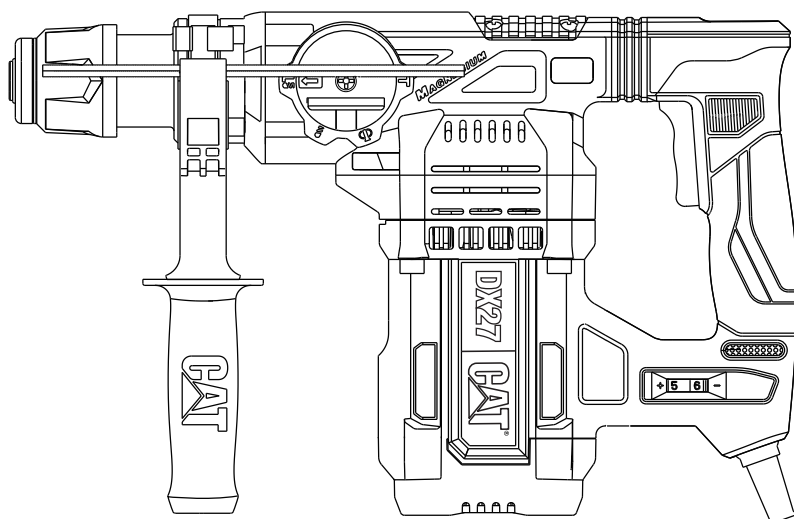


CAT®



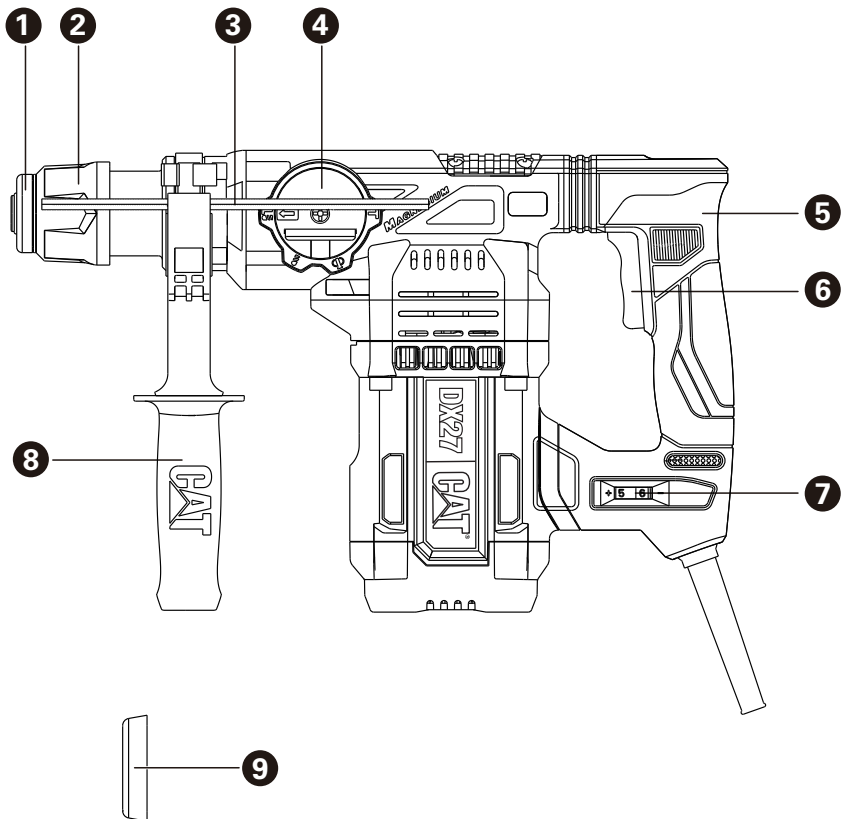
1500W

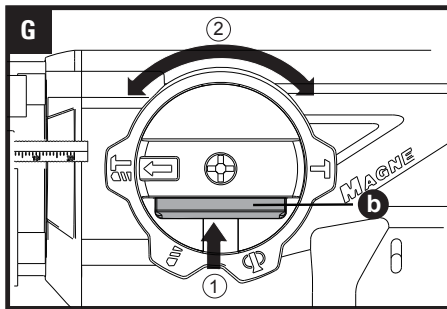
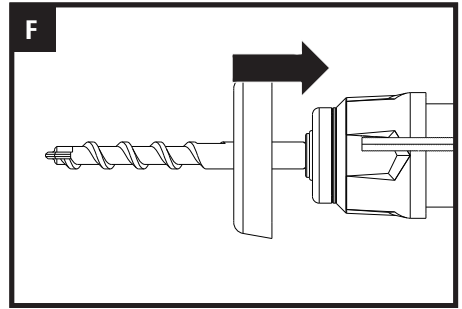
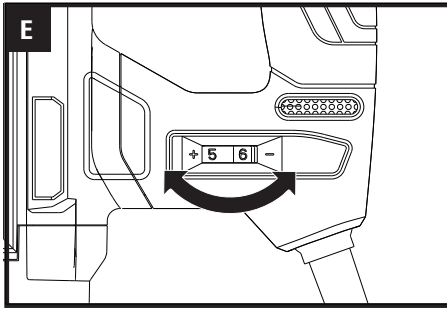
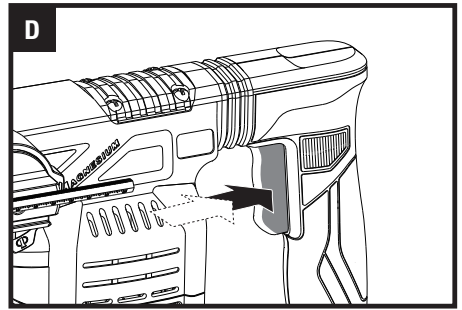
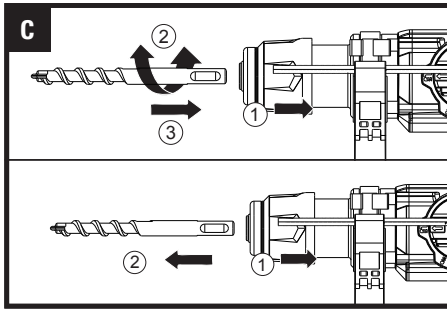
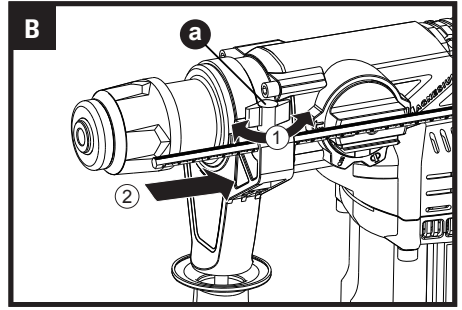
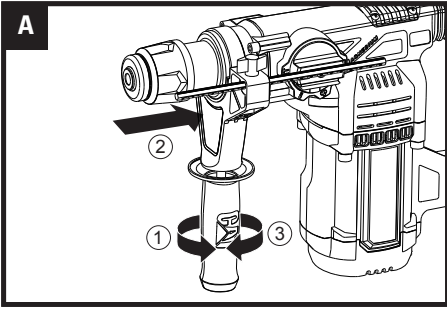
DX27



EN Rotary hammer
DE Bohrhammer
FR Marteau Perforateur
IT Martello Rotativo
ES Martillo rotatorio
NL Boorhamer
PT Martelo Rotativo
SV Rotorhammare
FIN Poravasara
NOR Roterende hammer

DK Rotationshammer
PL Młot obrotowy
BG Ротативен пробивен чук
HU Pneumatikus fúrókalapács
RO Ciocan articulat
CZ Rotační kladivo
SK Otočné kladivo
SL Rotacijski vrtalnik
TR Kırıcı Delici
AR دقاق دوار





ORIGINAL INSTRUCTIONS

PRODUCT SAFETY

GENERAL POWER TOOL SAFETY

WARNINGS



WARNING! Read all safety warnings, instructions, illustrations and specifications provided with this power tool. Failure to follow the warnings and instructions may result in electric shock, fire and/or serious injury.

Save all warnings and instructions for future reference. The term "power tool" in the warnings refers to your mains-operated (corded) power tool or battery-operated (cordless) power tool.

1. WORK AREA SAFETY

- a) **Keep work area clean and well lit.** Cluttered or dark areas invite accidents.
- b) **Do not operate power tools in explosive atmospheres,** such as in the presence of flammable liquids, gases or dust. Power tools create sparks which may ignite the dust or fumes.
- c) **Keep children and bystanders away while operating a power tool.** Distractions can cause you to lose control.

2. ELECTRICAL SAFETY

- a) **Power tool plugs must match the outlet.** Never modify the plug in any way. Do not use any adapter plugs with earthed (grounded) power tools. Unmodified plugs and matching outlets will reduce risk of electric shock.
- b) **Avoid body contact with earthed or grounded surfaces,** such as pipes, radiators, ranges and refrigerators. There is an increased risk of electric shock if your body is earthed or grounded.
- c) **Do not expose power tools to rain or wet conditions.** Water entering a power tool will increase the risk of electric shock.
- d) **Do not abuse the cord.** Never use the cord for carrying, pulling or unplugging the power tool. Keep cord away from heat, oil, sharp edges or moving parts. Damaged or entangled cords increase the risk of electric shock.
- e) **When operating a power tool outdoors, use an extension cord suitable for outdoor use.** Use of a cord suitable for outdoor use reduces the risk of electric shock.
- f) **If operating a power tool in a damp location is unavoidable, use a residual current device (RCD) protected supply.** Use of an RCD reduces the risk of electric shock.

3. PERSONAL SAFETY

- a) **Stay alert, watch what you are doing and use common sense** when operating a power tool. Do not use a power tool while you are tired or under the influence of drugs, alcohol or medication. A moment of inattention while operating power tools may result in serious personal injury.
- b) **Use personal protective equipment.** Always wear eye protection. Protective equipment such as dust mask, non-skid safety shoes, hard hat, or hearing protection used for appropriate conditions will reduce personal injuries.
- c) **Prevent unintentional starting.** Ensure the switch is in the off-position before connecting to power source and/or battery pack, picking up or carrying the tool. Carrying power tools with your finger on the switch or energising

- power tools that have the switch on invites accidents.
- d) **Remove any adjusting key or wrench before turning the power tool on.** A wrench or a key left attached to a rotating part of the power tool may result in personal injury.
 - e) **Do not overreach.** Keep proper footing and balance at all times. This enables better control of the power tool in unexpected situations.
 - f) **Dress properly. Do not wear loose clothing or jewellery.** Keep your hair, clothing and gloves away from moving parts. Loose clothes, jewellery or long hair can be caught in moving parts.
 - g) **If devices are provided for the connection of dust extraction and collection facilities, ensure these are connected and properly used.** Use of dust collection can reduce dust-related hazards.
 - h) **Do not let familiarity gained from frequent use of tools allow you to become complacent and ignore tool safety principles.** A careless action can cause severe injury within a fraction of a second.

4. POWER TOOL USE AND CARE

- a) **Do not force the power tool.** Use the correct power tool for your application. The correct power tool will do the job better and safer at the rate for which it was designed.
- b) **Do not use the power tool if the switch does not turn it on and off.** Any power tool that cannot be controlled with the switch is dangerous and must be repaired.
- c) **Disconnect the plug from the power source and/or the battery pack from the power tool before making any adjustments, changing accessories, or storing power tools.** Such preventive safety measures reduce the risk of starting the power tool accidentally.
- d) **Store idle power tools out of the reach of children and do not allow persons unfamiliar with the power tool or these instructions to operate the power tool.** Power tools are dangerous in the hands of untrained users.
- e) **Maintain power tools.** Check for misalignment or binding of moving parts, breakage of parts and any other condition that may affect the power tool's operation. If damaged, have the power tool repaired before use. Many accidents are caused by poorly maintained power tools.
- f) **Keep cutting tools sharp and clean.** Properly maintained cutting tools with sharp cutting edges are less likely to bind and are easier to control.
- g) **Use the power tool, accessories and tool bits etc. in accordance with these instructions, taking into account the working conditions and the work to be performed.** Use of the power tool for operations different from those intended could result in a hazardous situation.
- h) **Keep handles and grasping surfaces dry, clean and free from oil and grease.** Slippery handles and grasping surfaces do not allow for safe handling and control of the tool in unexpected situations.

5. SERVICE

- a) **Have your power tool serviced by a qualified repair person using only identical replacement parts.** This will ensure that the safety of the power tool is maintained.

HAMMER SAFETY WARNINGS

- 1) Safety instructions for all operations
- a) **Wear ear protectors.** Exposure to noise can cause hearing loss.
- b) **Use auxiliary handle(s), if supplied with the tool.** Loss of

- control can cause personal injury.*
- c) **Hold power tool by insulated gripping surfaces, when performing an operation where the cutting accessory may contact hidden wiring or its own cord. Cutting accessory contacting a "live" wire may make exposed metal parts of the power tool "live" and could give the operator an electric shock.**
- 2) **Safety instructions when using long drill bits with rotary hammers**
- a) **Always start drilling at low speed and with the bit tip in contact with the workpiece. At higher speeds, the bit is likely to bend if allowed to rotate freely without contacting the workpiece, resulting in personal injury.**
- b) **Apply pressure only in direct line with the bit and do not apply excessive pressure. Bits can bend, causing breakage or loss of control, resulting in personal injury.**



Warning



Wear ear protection



Wear eye protection



Wear dust mask

ADDITIONAL SAFETY RULES FOR HAMMER

1. Always wear a dust mask.



Double insulation

SYMBOLS



To reduce the risk of injury, user must read instruction manual



Waste electrical products must not be disposed of with household waste. Please recycle where facilities exist. Check with your local authorities or retailer for recycling advice.

EN

COMPONENT LIST

1. DUST PROTECTION CAP
2. TOOL HOLDER LOCKING SLEEVE
3. DEPTH GAUGE
4. FUNCTION MODE SELECTOR DIAL
5. ANTI-VIBRATION HANDLE
6. ON/OFF SWITCH
7. VARIABLE SPEED CONTROL
8. AUXILIARY HANDLE
9. DUST COVER

Not all the accessories illustrated or described are included in standard delivery.

TECHNICAL DATA

Type DX27 (27 - designation of machinery, representative of rotary hammer)

	DX27
Voltage	220-240V~50/60Hz

Power input	1500W	
No load speed	0-920 /min	
Impact rate	0-3700/min	
Impact energy	5.0J	
Chuck type	SDS-Plus	
Max Drilling capacity	Steel	13mm
	Masonry	32mm
	Wood	40mm
Protection class	□/II	
Machine weight	5.7kg	


NOISE INFORMATION

A weighted sound pressure	L_{pA} : 93,3 dB (A)
K_{pA} =	3 dB(A)
A weighted sound power	L_{wA} : 104,3 dB (A)
K_{wA} =	3 dB(A)
Wear ear protection.	

VIBRATION INFORMATION

Vibration total values (triax vector sum) determined according to EN 62841:	
Hammer drilling into concrete	Vibration emission value: $a_{h,p} = 8,35 \text{ m/s}^2$
	Uncertainty $K = 1,5 \text{ m/s}^2$
chiseling	Vibration emission value: $a_{h,p} = 7,68 \text{ m/s}^2$
	Uncertainty $K = 1,5 \text{ m/s}^2$

The declared vibration total value and the declared noise emission value have been measured in accordance with a standard test method and may be used for comparing one tool with another.
The declared vibration total value and the declared noise emission value may also be used in a preliminary assessment of exposure.

 **WARNING:** The vibration and noise emissions during actual use of the power tool can differ from the declared value depending on the ways in which the tool is used especially what kind of workpiece is processed dependant on the following examples and other variations on how the tool is used:

How the tool is used and the materials being cut or drilled.

The tool being in good condition and well maintained.

The use of the correct accessory for the tool and ensuring it is sharp and in good condition.

The tightness of the grip on the handles and if any anti vibration and noise accessories are used.

And the tool is being used as intended by its design and these instructions.

This tool may cause hand-arm vibration syndrome if its use is not adequately managed.

 **WARNING:** To be accurate, an estimation of exposure level in the actual conditions of use should also take account of all

parts of the operating cycle such as the times when the tool is switched off and when it is running idle but not actually doing the job. This may significantly reduce the exposure level over the total working period.

Helping to minimise your vibration and noise exposure risk.

Always use sharp chisels, drills and blades.

Maintain this tool in accordance with these instructions and keep well lubricated (where appropriate).

If the tool is to be used regularly then invest in anti vibration and noise accessories.

Plan your work schedule to spread any high vibration tool use across a number of days.

ACCESSORIES

Auxiliary handle	1
Depth gauge	1
Dust cover	1

We recommend that you purchase your accessories from the same store that sold you the tool. Refer to the accessory packaging for further details. Store personnel can assist you and offer advice.

OPERATING INSTRUCTIONS



NOTE: Before using the tool, read the instruction book carefully.

INTENDED USE

The machine is intended for hammer drilling in concrete, brick and stone as well as for light chiseling work. It is also suitable for drilling without impact in wood, metal, ceramic and plastic.

ASSEMBLY

1. INSTALLING THE AUXILIARY HANDLE (SEE FIG. A)

For your personal safety we recommend using the auxiliary handle at all times.

Rotate the handgrip of the auxiliary handle counter-clockwise to loosen the clamping ring. Slide the clamping ring of the auxiliary handle over the handle collar of the hammer, and rotate the handle around the collar until the handle is in a desired working position. Rotate the handgrip clockwise to tighten the auxiliary handle in place.



WARNING: The auxiliary handle must be used during operation.

2. INSTALLING THE DEPTH GAUGE (SEE FIG. B)

The depth gauge can be used to set a constant depth to hammer. Rotate the locking screw (a) on the top of the auxiliary handle counter-clockwise to loosen, insert the depth gauge into the hole of the handle. Adjust it to the desired depth. Rotate the locking screw clockwise to tighten.

3. INSERTING AND REMOVING DRILL BIT (NOT SUPPLIED) (SEE FIG. C)

Take care that the dust protection cap is not damaged when changing tools.

- Inserting

Clean and lightly oil the bit before inserting. Retract back the tool holder locking sleeve and insert the dust-free bit into the tool holder with a twisting motion until it latches. The bit locks itself. Check the locking by pulling on the tool.

- Removing

Retract back the tool holder locking sleeve and pull out the bit.



WARNING: Your new rotary hammer generates powerful forces to get your job done quickly and

effectively. These forces may cause inferior quality SDS bits to break and jam in the chuck. We therefore recommend that only high quality SDS bits be used with this tool.

OPERATION

1. ON/OFF SWITCH (SEE FIG. D)

Depress the On/Off switch to start and release it to stop your tool.

2. VARIABLE SPEED CONTROL (SEE FIG. E)

With the variable speed control, the required speed can be selected (also while running).

The required speed is dependent on the material and is to be determined by a practical trial.

3. ANTI-VIBRATION HANDLE

The Anti-vibration handle reduces the vibration, making operation more comfortable and secure.

4. DUST COVER (SEE FIG. F)

Before drilling, fit the dust cover over the drill bit.

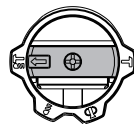


WARNING: Always wear eye protection with this tool.

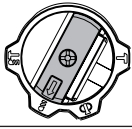
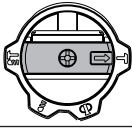
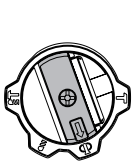


5. FUNCTION MODE SELECTION (SEE FIG. G)

The operation of the gearbox for each application is set with the function mode selector dial. To change between functions, depress the unlocking button (b) and rotate the selector dial to the desired operating mode.

NOTE: After rotate to the required position, move the selector dial to left or right a little to check if the dial is locked in place.



Mode for simultaneous drilling and impacting of concrete, masonry

	Mode for or drilling into steel, wood and plastics
	Mode for or chiseling
	Mode for adjust the chuck angle of chiseling NOTE: Select this function mode "  " first, adjust the chuck angle to desired direction. Then select the function mode to "  ", operate the chiseling work.

 **WARNING:** The operating mode selector switch may be actuated only at a standstill.

WORKING HINTS FOR YOUR TOOL

1. Reduce the pressure on the drill bit when it is about to break through. This will prevent the drill from jamming.
2. When drilling a large hole, first drill a pilot hole using a smaller drill bit.
3. Always apply pressure to your drill bit in a straight line, and if possible at right angles to the workpiece.
4. Never change the operating mode whilst the rotary hammer is running.
5. Do not apply excessive pressure to the tool when chiseling. Excessive force does not speed up the work.

MAINTENANCE

Remove the plug from the socket before carrying out any adjustment, servicing or maintenance.

There are no user serviceable parts in your power tool. Never use water or chemical cleaners to clean your power tool. Wipe clean with a dry cloth. Always store your power tool in a dry place. Keep the motor ventilation slots clean. Keep all working controls free of dust. Occasionally you may see sparks through the ventilation slots. This is normal and will not damage your power tool.


If the supply cord is damaged, it must be replaced by the manufacturer, its service agent or similarly qualified persons in order to avoid a hazard.

TROUBLESHOOTING

1. If your power tool does not start, check the plug on the power supply first.
2. If your hammer becomes too hot in use, set the hammer switch to the drill mode and allow your drill to operate at maximum speed without load for 2 minutes.
3. If your hammer work efficiency is too low, please add sufficient grease in the grease box.
4. If your hammer use in low efficiency, please check whether the tool is blunt.

5. If a fault can not be rectified, return the tool to an authorized dealer for repair.

ENVIRONMENTAL PROTECTION

 Waste electrical products must not be disposed of with household waste. Please recycle where facilities exist. Check with your local authorities or retailer for recycling advice.

DECLARATION OF CONFORMITY

We,
POSITEC Germany GmbH
Postfach 32 02 16, 50796 Cologne, Germany

Declare that the product
Description **Rotary hammer**
Type **DX27 (27-designation of machinery, representative of Hammer)**
Function **hammering various materials**

Complies with the following Directives,
2006/42/EC,
2014/30/EU,
2011/65/EU&(EU)2015/863

Standards conform to
EN 62841-1, EN IEC 62841-2-6, EN IEC 55014-1,
EN IEC 55014-2, EN IEC 61000-3-2, EN 61000-3-3

The person authorized to compile the technical file,

Name: Marcel Filz
Address: POSITEC Germany GmbH Postfach 32 02 16, 50796 Cologne, Germany




2022/11/22
Allen Ding
Deputy Chief Engineer, Testing & Certification
Positec Technology (China) Co., Ltd
18, Dongwang Road, Suzhou Industrial
Park, Jiangsu 215123, P. R. China

ORIGINALBETRIEBSANLEITUNG

PRODUKTSICHERHEIT

ALLGEMEINE SICHERHEITSHINWEISE FÜR ELEKTROWERKZEUGE



WARNUNG! Machen Sie sich mit allen Sicherheitswarnungen, Anweisungen, Abbildungen und Spezifikationen vertraut, die mit diesem Elektrowerkzeug geliefert werden. *Versäumnisse bei der Einhaltung der Sicherheitshinweise und Anweisungen können elektrischen Schlag, Brand und/oder schwere Verletzungen verursachen.*

Bewahren Sie alle Sicherheitshinweise und Anweisungen für die Zukunft auf.

Der in den Sicherheitshinweisen verwendete Begriff „Elektrowerkzeug“ bezieht sich auf akkubetriebene Elektrowerkzeuge (ohne Netzkabel).

1. ARBEITSPLATZSICHERHEIT

- a) Halten Sie Ihren Arbeitsbereich sauber und gut beleuchtet. *Unordnung oder unbeleuchtete Arbeitsbereiche können zu Unfällen führen.*
- b) Arbeiten Sie mit dem Elektrowerkzeug nicht in explosionsgefährdeter Umgebung, in der sich brennbare Flüssigkeiten, Gase oder Stäube befinden. *Elektrowerkzeuge erzeugen Funken, die den Staub oder die Dämpfe entzünden können.*
- c) Halten Sie Kinder und andere Personen während der Benutzung des Elektrowerkzeugs fern. *Bei Ablenkung können Sie die Kontrolle über das Gerät verlieren.*

2. ELEKTRISCHE SICHERHEIT

- a) Der Anschlussstecker des Elektrowerkzeuges muss in die Steckdose passen. Der Stecker darf in keiner Weise verändert werden. Verwenden Sie keine Adapterstecker gemeinsam mit geschützten Elektrowerkzeugen. *Unveränderte Stecker und passende Steckdosen verringern das Risiko eines elektrischen Schlages.*
- b) Vermeiden Sie Körperkontakt mit geerdeten Oberflächen wie von Rohren, Heizungen, Herden und Kühlschränken. *Es besteht ein erhöhtes Risiko durch elektrischen Schlag, wenn Ihr Körper geerdet ist.*
- c) Halten Sie Elektrowerkzeuge von Regen oder Nässe fern. *Das Eindringen von Wasser in ein Elektrowerkzeug erhöht das Risiko eines elektrischen Schlages.*
- d) Zweckfremden Sie das Kabel nicht, um das Elektrowerkzeug zu tragen, aufzuhängen oder um den Stecker aus der Steckdose zu ziehen. Halten Sie das Kabel fern von Hitze, Öl, scharfen Kanten oder sich bewegenden Geräteteilen. *Beschädigte oder verwickelte Kabel erhöhen das Risiko eines elektrischen Schlages.*
- e) Wenn Sie mit einem Elektrowerkzeug im Freien arbeiten, verwenden Sie nur Verlängerungskabel, die auch für den Außenbereich geeignet sind. *Die Anwendung eines für den Außenbereich geeigneten Verlängerungskabels verringert das Risiko eines elektrischen Schlages.*
- f) Wenn der Betrieb des Elektrowerkzeuges in feuchter Umgebung nicht vermeidbar ist, verwenden Sie einen Fehlerstromschutzschalter. *Der Einsatz eines Fehlerstromschutzschalters vermindert das Risiko eines elektrischen Schlages.*

3. SICHERHEIT VON PERSONEN

- a) Seien Sie aufmerksam, achten Sie darauf, was Sie tun, und gehen Sie mit Vernunft an die Arbeit mit einem Elektrowerkzeug. Benutzen Sie kein Elektrowerkzeug, wenn Sie müde sind oder unter dem Einfluss von Drogen, Alkohol oder Medikamenten stehen. *Ein Moment der Unachtsamkeit beim Gebrauch des Elektrowerkzeuges kann zu ernsthaften Verletzungen führen.*
 - b) Tragen Sie persönliche Schutzausrüstung und immer eine Schutzbrille. *Das Tragen persönlicher Schutzausrüstung, wie Staubmaske, rutschfeste Sicherheitsschuhe, Schutzhelm oder Gehörschutz, je nach Art und Einsatz des Elektrowerkzeuges, verringert das Risiko von Verletzungen.*
 - c) Vermeiden Sie eine unbeabsichtigte Inbetriebnahme. Vergewissern Sie sich, dass das Elektrowerkzeug ausgeschaltet ist, bevor Sie es an den Akku anschließen, es aufnehmen oder tragen. *Wenn Sie beim Tragen des Elektrowerkzeuges den Finger am Schalter haben oder das Gerät eingeschaltet an die Stromversorgung anschließen, kann dies zu Unfällen führen.*
 - d) Entfernen Sie Einstellwerkzeuge oder Schraubenschlüssel, bevor Sie das Elektrowerkzeug einschalten. *Ein Werkzeug oder Schlüssel, der sich in einem drehenden Geräteteil befindet, kann zu Verletzungen führen.*
 - e) Vermeiden Sie eine abnormale Körperhaltung. Sorgen Sie für einen sicheren Stand und halten Sie jederzeit das Gleichgewicht. *Dadurch können Sie das Elektrowerkzeug in unerwarteten Situationen besser kontrollieren.*
 - f) Tragen Sie geeignete Kleidung. Tragen Sie keine weite Kleidung oder Schmuck. Halten Sie Haare, Kleidung und Handschuhe fern von sich bewegenden Teilen. *Lockere Kleidung, Schmuck oder lange Haare können von sich bewegenden Teilen erfasst werden.*
 - g) Wenn Staubabsaug- und -auffangeinrichtungen montiert werden können, vergewissern Sie sich, dass diese angeschlossen sind und richtig verwendet werden. *Verwendung einer Staubabsaugung kann Gefährdungen durch Staub verringern.*
 - h) Vermeiden Sie, durch die häufige Nutzung des Werkzeugs in einen Trott zu verfallen und Prinzipien für die Werkzeugsicherheit zu ignorieren. *Eine unachtsame Aktion kann im Bruchteil einer Sekunde zu schweren Verletzungen führen.*
- #### 4. VERWENDUNG UND BEHANDLUNG DES ELEKTROWERKZEUGES
- a) Überlasten Sie das Gerät nicht. Verwenden Sie für Ihre Arbeit das dafür bestimmte Elektrowerkzeug. *Mit dem passenden Elektrowerkzeug arbeiten Sie besser und sicherer im angegebenen Leistungsbereich.*
 - b) Benutzen Sie kein Elektrowerkzeug, dessen Schalter defekt ist. *Ein Elektrowerkzeug, das sich nicht mehr ein- oder ausschalten lässt, ist gefährlich und muss repariert werden.*
 - c) Entfernen Sie den Akku, bevor Sie Geräteeinstellungen vornehmen, Zubehörteile wechseln oder das Gerät weglegen. *Diese Vorsichtsmaßnahme verhindert den unbeabsichtigten Start des Elektrowerkzeuges.*
 - d) Bewahren Sie unbenutzte Elektrowerkzeuge außerhalb der Reichweite von Kindern auf. Lassen Sie Personen das Gerät nicht benutzen, die mit diesem nicht vertraut sind oder diese Anweisungen nicht gelesen haben. *Elektrowerkzeuge sind gefährlich, wenn Sie von unerfahrenen Personen benutzt werden.*
 - e) Pflegen Sie Elektrowerkzeuge mit Sorgfalt. Kontrollieren Sie, ob bewegliche Teile einwandfrei funktionieren und

nicht klemmen, ob Teile gebrochen oder so beschädigt sind, dass die Funktion des Elektrowerkzeuges beeinträchtigt ist. Lassen Sie beschädigte Teile vor dem Einsatz des Gerätes reparieren. Viele Unfälle haben ihre Ursache in schlecht gewarteten Elektrowerkzeugen.

- f) **Halten Sie Schneidwerkzeuge scharf und sauber.** Sorgfältig gepflegte Schneidwerkzeuge mit scharfen Schneidkanten verklemmen sich weniger und sind leichter zu führen.
- g) **Verwenden Sie Elektrowerkzeug, Zubehör, Einsatzwerkzeuge usw. entsprechend diesen Anweisungen. Berücksichtigen Sie dabei die Arbeitsbedingungen und die auszuführende Tätigkeit.** Der Gebrauch von Elektrowerkzeugen für andere als die vorgesehenen Anwendungen kann zu gefährlichen Situationen führen.
- h) **Halten Sie die Griffe trocken, sauber und frei von Öl und Fett.** Rutschige Griffe und Oberflächen unterbinden die sichere Bedienbarkeit und Kontrolle über das Werkzeug in unerwarteten Situationen.
5. **SERVICE**
- a) **Lassen Sie Ihr Elektrowerkzeug nur von qualifiziertem Fachpersonal und nur mit Original-Ersatzteilen reparieren.** Damit wird sichergestellt, dass die Sicherheit des Gerätes erhalten bleibt.

SICHERHEITSHINWEISE FÜR HÄMMER

- 1) **Sicherheitsanweisungen für alle Arbeiten**
- a) **Tragen Sie Gehörschutz. Wenn Sie die Schlagbohrmaschine benutzen.** Lärmaussetzung kann Gehörverlust verursachen.
- b) **Benutzen Sie den zusätzlichen Handgriff, der mit dem Werkzeug geliefert wird.** Kontrollverlust kann Personenschäden zufolge haben.
- c) **Halten Sie das Werkzeug nur an den isolierten griffigen Oberflächen, wenn Sie einen Einsatz durchführen, bei dem Schneidwerkzeuge eventuell versteckte Kabel berühren könnten.** Berührung mit einem unter Strom stehenden Kabel kann auch die Metallteile des Gerätes unter Strom setzen und dem Bedienenden einen Stromschlag versetzen.
- 2) **Sicherheitshinweise für den Einsatz von Langbohrern mit Bohrhämmern**
- a) **Beginnen Sie das Bohren immer mit niedriger Drehzahl und mit der Bohrerspitze in Kontakt mit dem Werkstück.** Bei höheren Drehzahlen kann sich der Bohrer verbiegen, sofern er sich frei drehen kann, ohne das Werkstück zu berühren, was zu Verletzungen führen kann.
- b) **Üben Sie Druck nur in Richtung des Bohrers aus und wenden Sie keinen übermäßigen Druck an.** Der Bohrer kann sich verbiegen, was zu Brüchen oder Kontrollverlust und somit zu Verletzungen führen kann.

ZUSÄTZLICHE SICHERHEIT REGELN FÜR HAMMER

1. **Tragen Sie eine Staubschutzmaske.**

SYMBOLE



Zur Reduzierung der Verletzungsgefahr bitte die Bedienungsanleitung durchlesen



WARNUNG!



Tragen Sie einen Gehörschutz



Tragen Sie eine Schutzbrille



Tragen Sie eine Staubmaske



Schutzisolation



Elektroprodukte dürfen nicht mit dem normalen Haushaltsmüll entsorgt werden, sondern sollten nach Möglichkeit zu einer Recyclingstelle gebracht werden. Ihre zuständigen Behörden oder Ihr Fachhändler geben Ihnen hierzu gerne Auskunft.


KOMPONENTENLISTE

1. STAUBKAPPE
2. WERKZEUGHALTERSCHLOSS
3. TIEFENMESSER
4. FUNKTIONSMODUS-WÄHLWÄHLER
5. ANTI-VIBRATIONSGRIFF
6. EIN/AUS-SCHALTER
7. VARIABLE DREHZAHLREGELUNG
8. HILFSGRIFF
9. STAUBSCHUTZHAUBE

Nicht alle abgebildeten oder beschriebenen Zubehörteile sind in der Standardlieferung enthalten.

TECHNISCHE DATEN

Typ DX27 (27 - Bezeichnung der Maschine, Repräsentant Bohrhammer)

		DX27
Spannung		220-240V~50/60Hz
Leistungsaufnahme		1500W
Leerlaufdrehzahl		0-920 /min
Schlagzahl		0-3700/min
Aufprallenergie		5.0J
Futter-Typ		SDS-Plus
Max. Bohrleistung	Stahl	13mm
	Mauerwerk	32mm
	Holz	40mm
Schutzklasse		 /II
Maschinengewicht		5.7kg

INFORMATIONEN ÜBER LÄRM

Gewichteter Schalldruck	L_{pA} : 93,3 dB (A)
K_{pA} =	3 dB(A)
Gewichtete Schalleistung	L_{wA} : 104,3 dB (A)
K_{wA} =	3 dB(A)
Tragen Sie einen Gehörschutz.	

DE

INFORMATIONEN ÜBER VIBRATIONEN

Vibrationsgesamtwertermittlung gemäß EN 62841:	
Schlagbohren in Beton	Vibrationsemissionswert: $a_{h,p} = 8,35 \text{ m/s}^2$
	Unsicherheit $K = 1.5 \text{ m/s}^2$
Meißeln	Vibrationsemissionswert: $a_{h,p} = 7,68 \text{ m/s}^2$
	Unsicherheit $K = 1.5 \text{ m/s}^2$

Der angegebene Vibrationsgesamtwert kann und der angegebene Vibrationsemissionswert wurden gemäß Standardprüfverfahren gemessen und können zum Vergleichen eines Werkzeug mit einem anderen verwendet werden. Der angegebene Vibrationsgesamtwert und der angegebene Vibrationsemissionswert können auch für eine anfängliche Beurteilung der Beeinträchtigung verwendet werden.



WARNUNG: Die Vibrations- und Lärmemissionen bei der eigentlichen Nutzung des Elektrowerkzeugs können vom angegebenen Wert abweichen, je nachdem, wie das Werkzeug verwendet wird und insbesondere abhängig davon, welcher Werkstücktyp verarbeitet wird, und abhängig von folgenden Beispielen und verschiedenen Einsatzmöglichkeiten des Werkzeugs:

Die Verwendung des Werkzeugs und die Art, wie die Materialien geschnitten oder angebohrt werden.

Das Werkzeug ist in gutem Zustand und gut gepflegt.

Verwendung des richtigen Zubehörs für das Werkzeug und Gewährleistung seiner Schärfe und seines guten Zustands.

Die Festigkeit des Griffs auf den Handgriffen und, falls Antivibrations- und Lärmschutzzubehör verwendet wird.

Und ob das verwendete Werkzeug dem Design und diesen Anweisungen entsprechend verwendet wird.

Wird dieses Werkzeug nicht anemessen gehandhabt, kann es ein Hand-Arm-Vibrationssyndrom erzeugen.



WARNUNG: Um genau zu sein, sollte eine Abschätzung des Belastungsgrades aller Arbeitsabschnitte während tatsächlicher Verwendung berücksichtigt werden, z.B. die Zeiten, wenn das Werkzeug ausgeschaltet ist, und wenn es sich im Leerlauf befindet und eigentlich nicht eingesetzt wird. Auf diese Weise kann der Belastungsgrad während der gesamten Arbeitszeit wesentlich gemindert werden.

Hilft dabei, das Risiko der Vibrations- und Lärmbelastung zu minimieren.

Verwenden Sie IMMER scharfe Meißel, Bohrer und Sägeblätter.

Pflegen Sie dieses Werkzeug diesen Anweisungen entsprechend und achten Sie auf eine gute Einfettung (wo erforderlich).

Falls das Werkzeug regelmäßig verwendet werden soll, investieren Sie in Antivibrations- und Lärmschutzzubehör.

Machen Sie einen Arbeitsplan, um die Verwendung von hochvibrierenden Werkzeugen auf mehrere Tage zu verteilen.

ZUBEHÖR

Hilfsgriff	1
Tiefenmesser	1
Staubschutzhaube	1

Wir empfehlen, dass Sie Ihr Zubehör in dem Geschäft kaufen, in dem Sie das Werkzeug verkauft haben. Weitere Einzelheiten finden Sie in der Verpackung des Zubehörs. Das Ladenpersonal kann Ihnen behilflich sein und Ratschläge geben.

BETRIEBSANLEITUNG



HINWEIS: Bitte lesen Sie die Bedienungsanleitung sorgfältig durch, bevor Sie das Werkzeug verwenden.

VERWENDUNGSZWECK

Die Maschine dient zum Hammerbohren auf Beton, Ziegeln und Steinen sowie für leichte Meißelarbeiten vorgesehen. Es ist auch zum Bohren ohne Beeinträchtigung von Holz, Metall, Keramik und Kunststoff geeignet.

MONTAGE

1. MONTIEREN SIE DEN HILFSGRIFF(SIEHE ABB. A)

Zu Ihrer persönlichen Sicherheit wird empfohlen, immer Hilfsgriffe zu verwenden.

Drehen Sie den Griff des Hilfsgriffs gegen den Uhrzeigersinn, um den Klemmring zu lösen. Schieben Sie den Klemmring des Hilfsgriffs auf den Griffkragen des Hammers und drehen Sie den Griff um den Kragen, bis sich der Griff in der gewünschten Arbeitsposition befindet. Drehen Sie den Griff im Uhrzeigersinn, um den Hilfsgriff festzuziehen.



WARNUNG: Der Zusatzhandgriff muss während des Betriebs benutzt werden.

2. MONTIEREN SIE DEN TIEFENMESSER(SIEHE ABB. B)

Mit dem Tiefenmesser kann eine konstante Hämmtiefe eingestellt werden.

Drehen Sie die Feststellschraube (a) oben am Hilfsgriff gegen den Uhrzeigersinn, um ihn zu lösen, und führen Sie den Tiefenmesser in das Loch des Griffs ein. Stellen Sie sie auf die gewünschte Tiefe ein. Drehen Sie die Feststellschraube im Uhrzeigersinn, um sie festzuziehen

3. EINSETZEN UND ENTFERNEN DES BOHRERS (NICHT LIEFERBAR) (SIEHE ABB. C)

Achten Sie beim Werkzeugwechsel darauf, die Staubkappe nicht zu beschädigen.

- EINFÜGEN

Bohrer vor dem Einsetzen reinigen und ölen. Ziehen Sie die Bohrbüchse aus dem Bohrfutter heraus und setzen Sie den staubreifen Bohrer verdreht in das Bohrfutter ein, bis er einrastet.

Der Bohrer rastet von selbst ein. Überprüfen Sie die Verriegelung, indem Sie am Werkzeug ziehen.

- ENTFERNEN

Ziehen Sie die Verriegelungshülse des Messerkopfhalters zurück und ziehen Sie den Messerkopf heraus.



WARNUNG: Ihr neuer Bohrhammer erzeugt kraftvolle Kraft, um Ihre Arbeit schnell und effizient zu erledigen. Diese Kräfte können dazu führen, dass minderwertige SDS-Bits brechen und sich im Spannfutter verklemmen. Daher empfehlen wir, dass dieses Tool nur hochwertige SDS-Bits verwendet.

BETRIEB

1. EIN/AUS-SCHALTER (SIEHE ABB. D)

Drücken Sie den Ein / Ausschalter, um das Werkzeug zu starten, und lassen Sie ihn los, um es zu stoppen.

2. VARIABLE GESCHWINDIGKEITSREGELUNG (SIEHE ABB. E)

Durch variable Geschwindigkeitsregelung kann die gewünschte Geschwindigkeit (Laufzeit) ausgewählt werden.

Die erforderliche Geschwindigkeit ist materialabhängig und soll durch praktische Prüfung ermittelt werden.

3. ANTI-VIBRATIONSGRIFF

Der Anti-Vibrationshandgriff reduziert Vibrationen und macht die Bedienung komfortabler und sicherer.

4. STAUBSCHUTZKAPPE (SIEHE ABB. F)

Setzen Sie vor dem Bohren die Staubschutzkappe auf den Bohrer.

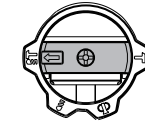


WARNUNG: Verwenden Sie dieses Werkzeug immer, um eine Schutzbrille zu tragen.

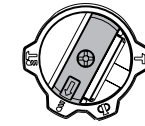
5. FUNKTIONSMODUSWAHL (SIEHE ABB. G)

Verwenden Sie das Funktionswählrad, um den Betriebsbetrieb für jede Anwendung einzustellen. Um zwischen den Funktionen zu wechseln, drücken Sie die Entriegelungstaste (b) und drehen Sie den Wahlschalter auf die gewünschte Betriebsart.

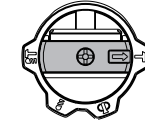
HINWEIS: Bewegen Sie den Wahlschalter nach dem Drehen in die gewünschte Position leicht nach links oder rechts, um zu überprüfen, ob der Drehknopf eingerastet ist.



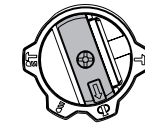
Beton, Mauerwerk Art des Bohrens und Schlagens gleichzeitig



Bohrverfahren für Stahl, Holz und Kunststoff



Muster oder Meißel



Modus zum Einstellen des Futterwinkels
HINWEIS: Wählen Sie zuerst diesen Funktionsmodus "DB" und stellen Sie den Spannwinkel auf die gewünschte Richtung ein. Wählen Sie dann den Funktionsmodus "T", zum Meißeln.



WARNUNG: Der Betriebsartenwahlschalter kann nur im Stillstand betätigt werden.

ARBEITSTIPPS FÜR IHR WERKZEUG

1. Wenn der Bohrer kurz vor dem Bruch steht, reduzieren Sie seinen Druck. Dies verhindert, dass der Bohrer stecken bleibt.
2. Verwenden Sie beim Bohren eines großen Lochs zuerst einen kleineren Bohrer, um ein Pilotloch zu bohren.
3. Üben Sie den Bohrer nach Möglichkeit immer in einer geraden Linie im rechten Winkel zum Werkstück aus.
4. Ändern Sie die Betriebsart nicht, während der Hammer läuft.
5. Üben Sie beim Meißeln keinen übermäßigen Druck auf das Werkzeug aus. Ausdruckskraft beschleunigt die Arbeit nicht.

WARTUNG

Ziehen Sie grundsätzlich den Netzstecker, bevor Sie Einstell-, Reparatur- oder Wartungstätigkeiten ausführen.

Ihr Werkzeug benötigt keine zusätzliche Schmierung oder Wartung. Es enthält keine Teile, die Sie warten müssen. Reinigen Sie Ihr Werkzeug niemals mit Wasser oder chemischen Reinigungsmitteln. Wischen Sie es mit einem trockenen Tuch sauber. Lagern Sie Ihr Werkzeug immer an einem trockenen Platz. Halten Sie die Lüftungsschlitze sauber. Falls das Netzkabel beschädigt sein sollte, muss es vom Hersteller, einem seiner Service-Beauftragten oder einer ähnlich qualifizierten Person instandgesetzt werden, damit es nicht zu Gefährdungen kommt.

FEHLERBEHEBUNG

1. Wenn das Elektrowerkzeug nicht startet, überprüfen Sie zuerst den Stecker am Netzteil.
2. Wenn Ihr Hammer während des Gebrauchs zu heiß wird, stellen Sie den Hammerschalter auf den Bohrmodus und lassen Sie den Bohrer 2 Minuten lang ohne Last mit maximaler Geschwindigkeit laufen.
3. Wenn die Arbeitseffizienz des Hammers zu niedrig ist, geben Sie bitte genügend Fett in den Fettkasten.
4. Wenn Ihr Hammer ineffizient verwendet wird, überprüfen Sie bitte, ob das Werkzeug stumpf ist.
5. Wenn ein Fehler nicht behoben werden kann, bringen Sie das Werkzeug zur Reparatur an einen autorisierten Händler zurück.

UMWELTSCHUTZ



Elektroprodukte dürfen nicht mit dem normalen Haushaltsmüll entsorgt werden, sondern sollten nach Möglichkeit zu einer Recyclingstelle gebracht werden. Ihre zuständigen Behörden oder Ihr Fachhändler geben Ihnen hierzu gerne Auskunft.

KONFORMITÄTSERKLÄRUNG

Wir,
POSITEC Germany GmbH
Postfach 32 02 16, 50796 Cologne, Germany

erklären hiermit, dass unser Produkt
Beschreibung **Bohrhammer**
Typ **DX27 (27- Bezeichnung der Maschine, Repräsentant Bohrhammer)**
Funktionen **Hämmern verschiedener Materialien**

Den Bestimmungen der folgenden Richtlinien entspricht:
2006/42/EC,
2014/30/EU,
2011/65/EU&(EU)2015/863

Werte nach
EN 62841-1, EN IEC 62841-2-6, EN IEC 55014-1,
EN IEC 55014-2, EN IEC 61000-3-2, EN 61000-3-3

Zur Kompilierung der technischen Datei ermächtigte Person,
Name Marcel Filz
Anschrift POSITEC Germany GmbH Postfach 32 02 16, 50796 Cologne, Germany



2022/11/22
Allen Ding
Stellvertretender Cheffingenieur,
Prüfung und Zertifizierung
Positec Technology (China) Co., Ltd
18, Dongwang Road, Suzhou Industrial
Park, Jiangsu 215123, P. R. China

NOTICE ORIGINALE

SÉCURITÉ DU PRODUIT

AVERTISSEMENTS DE SÉCURITÉ GÉNÉRAUX POUR L'OUTIL

 **AVERTISSEMENT!** Lire l'ensemble des mises en garde, instructions, illustrations et spécifications fourni avec cet outil électrique. Ne pas suivre les avertissements et instructions peut donner lieu à un choc électrique, un incendie et/ou une blessure sérieuse.

Conservé tous les avertissements et toutes les instructions pour pouvoir s'y reporter ultérieurement.

Le terme «outil» dans les avertissements fait référence à votre outil électrique alimenté par le secteur (avec cordon d'alimentation) ou votre outil fonctionnant sur batterie (sans cordon d'alimentation).

1. SÉCURITÉ DE LA ZONE DE TRAVAIL

- a) **Conservé la zone de travail propre et bien éclairée.**
Les zones en désordre ou sombres sont propices aux accidents.
- b) **Ne pas faire fonctionner les outils électriques en atmosphère explosive, par exemple en présence de liquides inflammables, de gaz ou de poussières.**
Les outils électriques produisent des étincelles qui peuvent enflammer les poussières ou les fumées.
- c) **Maintenir les enfants et les personnes présentes à l'écart pendant l'utilisation de l'outil.**
Les distractions peuvent vous faire perdre le contrôle de l'outil.

2. SÉCURITÉ ÉLECTRIQUE

- a) **Il faut que les fiches de l'outil électrique soient adaptées au socle. Ne jamais modifier la fiche de quelque façon que ce soit. Ne pas utiliser d'adaptateurs avec des outils à branchement de terre.**
Des fiches non modifiées et des socles adaptés réduisent le risque de choc électrique.
- b) **Éviter tout contact du corps avec des surfaces reliées à la terre telles que les tuyaux, les radiateurs, les cuisinières et les réfrigérateurs.**
Il existe un risque accru de choc électrique si votre corps est relié à la terre.
- c) **Ne pas exposer les outils à la pluie ou à des conditions humides.**
La pénétration d'eau à l'intérieur d'un outil augmentera le risque de choc électrique.
- d) **Ne pas maltraiter le cordon. Ne jamais utiliser le cordon pour porter, tirer ou débrancher l'outil. Maintenir le cordon à l'écart de la chaleur, du lubrifiant, des arêtes ou des parties en mouvement.**
Des cordons endommagés ou emmêlés augmentent le risque de choc électrique.
- e) **Lorsqu'on utilise un outil à l'extérieur, utiliser un prolongateur adapté à l'utilisation extérieure.**
L'utilisation d'un cordon adapté à l'utilisation extérieure réduit le risque de choc électrique.
- f) **Si l'usage d'un outil dans un emplacement humide est inévitable, utiliser une alimentation protégée par un dispositif à courant différentiel résiduel (DDR).**
L'usage d'un DDR réduit le risque de choc électrique.

3. SÉCURITÉ DES PERSONNES

- a) **Restez vigilant, regardez ce que vous êtes en train de faire et faites preuve de bon sens dans votre utilisation de l'outil. Ne pas utiliser un outil lorsque vous êtes fatigué ou sous l'emprise de drogues, d'alcool ou de médicaments.**
Un moment d'inattention en cours d'utilisation d'un outil peut entraîner des blessures graves

des personnes.

- b) **Utiliser un équipement de sécurité. Toujours porter une protection pour les yeux.**
Les équipements de sécurité tels que les masques contre les poussières, les chaussures de sécurité antidérapantes, les casques ou les protections acoustiques utilisés pour les conditions appropriées réduisent les blessures de personnes.
- c) **Éviter tout démarrage intempestif. S'assurer que l'interrupteur est en position arrêt avant de brancher l'outil au secteur et/ou au bloc de batteries, de le ramasser ou de le porter.**
Porter les outils en ayant le doigt sur l'interrupteur ou brancher des outils dont l'interrupteur est en position marche est source d'accidents.
- d) **Retirer toute clé de réglage avant de mettre l'outil en marche.**
Une clé laissée fixée sur une partie tournante de l'outil peut donner lieu à des blessures de personnes.
- e) **Ne pas se précipiter. Garder une position et un équilibre adaptés à tout moment.**
Cela permet un meilleur contrôle de l'outil dans des situations inattendues.
- f) **S'habiller de manière adaptée. Ne pas porter de vêtements amples ou de bijoux.**
Garder les cheveux, les vêtements et les gants à distance des parties en mouvement. Des vêtements amples, des bijoux ou les cheveux longs peuvent être pris dans des parties en mouvement.
- g) **Si des dispositifs sont fournis pour le raccordement d'équipements pour l'extraction et la récupération des poussières, s'assurer qu'ils sont connectés et correctement utilisés.**
Utiliser des collecteurs de poussière peut réduire les risques dus aux poussières.
- h) **Ne pas laisser les habitudes acquises au cours d'une utilisation fréquente des outils nous rendre complaisants et ignorer les principes de sécurité de l'outil.**
Une action imprudente peut entraîner des blessures graves en une fraction de seconde.

4. UTILISATION ET ENTRETIEN DE L'OUTIL

- a) **Ne pas forcer l'outil. Utiliser l'outil adapté à votre application.**
L'outil adapté réalisera mieux le travail et de manière plus sûre au régime pour lequel il a été construit.
- b) **Ne pas utiliser l'outil si l'interrupteur ne permet pas de passer de l'état de marche à arrêt et vice versa.**
Tout outil qui ne peut pas être commandé par l'interrupteur est dangereux et il faut le réparer.
- c) **Débrancher la fiche de la source d'alimentation en courant et/ou le bloc de batteries de l'outil avant tout réglage, changement d'accessoires ou avant de ranger l'outil.**
De telles mesures de sécurité préventives réduisent le risque de démarrage accidentel de l'outil.
- d) **Conservé les outils à l'arrêt hors de la portée des enfants et ne pas permettre à des personnes ne connaissant pas l'outil ou les présentes instructions de le faire fonctionner.**
Les outils sont dangereux entre les mains d'utilisateurs novices.
- e) **Observer la maintenance de l'outil. Vérifier qu'il n'y a pas de mauvais alignement ou de blocage des parties mobiles, des pièces cassées ou toute autre condition pouvant affecter le fonctionnement de l'outil.**
En cas de dommages, faire réparer l'outil avant de l'utiliser. De nombreux accidents sont dus à des outils mal entretenus.
- f) **Garder affûtés et propres les outils permettant de couper.**
Des outils destinés à couper correctement entretenus avec des pièces coupantes tranchantes sont moins susceptibles de bloquer et sont plus faciles à contrôler.
- g) **Utiliser l'outil, les accessoires et les lames etc., conformément à ces instructions, en tenant compte des conditions de travail et du travail à réaliser.**
L'utilisation

de l'outil pour des opérations différentes de celles prévues pourrait donner lieu à des situations dangereuses.

- h) **Maintenir les poignées et les surfaces de préhension sèches, propres et exemptes d'huile et de graisse.**
Des poignées et surfaces de préhension glissantes ne permettent pas une manipulation et un contrôle de l'outil en toute sécurité en cas d'imprévu.
5. **MAINTENANCE ET ENTRETIEN**
- a) **Faire entretenir l'outil par un réparateur qualifié utilisant uniquement des pièces de rechange identiques.** Cela assurera le maintien de la sécurité de l'outil.

AVERTISSEMENTS DE SÉCURITÉ POUR LES MARTEAUX

- 1) **Consignes de sécurité pour l'ensemble des opérations**
- a) **Porter une protection pour les oreilles.** L'exposition au bruit peut causer une perte d'audition.
- b) **Veillez utiliser les poignées auxiliaires fournies avec l'outil.** La perte de contrôle peut engendrer des blessures.
- c) **Tenir l'outil par ses surfaces antidérapantes et isolées si l'outil de coupe risque d'entrer en contact avec des câbles cachés.** L'entrée en contact avec un câble sous tension rendra les parties en métal de l'outil également sous tension et l'utilisateur pourrait recevoir une décharge électrique.
- 2) **Consignes de sécurité pour l'utilisation de forets longs avec les marteaux de perforation**
- a) **Commencez toujours le perçage à basse vitesse avec la pointe du foret au contact de la pièce sur laquelle vous opérez.** À plus haute vitesse, le foret est susceptible de se tordre en cas de rotation libre sans contact avec la pièce, avec un risque de blessure pouvant en résulter.
- b) **N'appliquez une pression que dans l'axe du foret et n'exercez pas de pression excessive.** Les forets peuvent se tordre entraînant leur rupture ou une perte de contrôle avec un risque de blessure pouvant en résulter.

RÈGLES DE SÉCURITÉ SUPPLÉMENTAIRES POUR LE MARTEAU

1. **Porter un masque contre la poussière.**

SYMBOLES



Pour réduire le risque de blessure, l'utilisateur doit lire le mode d'emploi.



Avertissement



Porter une protection pour les oreilles



Porter une protection pour les yeux



Porter un masque contre la poussière



Double isolation



Les déchets d'équipements électriques et électroniques ne doivent pas être déposés avec les ordures ménagères. Ils doivent être collectés pour être recyclés dans des centres spécialisés. Consultez les autorités locales ou votre revendeur pour obtenir des renseignements sur l'organisation de la collecte.

LISTE DES COMPOSANTS

1. CAPUCHON DE PROTECTION CONTRE LA POUSSIÈRE
2. MANCHON DE VERROUILLAGE PORTE-OUTIL
3. JAUGE DE PROFONDEUR
4. CADRAN DE SÉLECTION DU MODE DE FONCTIONNEMENT
5. POIGNÉE ANTI-VIBRATION
6. BOUTON ON / OFF
7. CONTRÔLE DE VITESSE VARIABLE
8. POIGNÉE AUXILIAIRE
9. PROTECTEUR ANTI-POUSSIÈRE

Tous les accessoires illustrés ou décrits ne sont pas inclus dans la livraison standard.

DONNÉES TECHNIQUES

Type DX27 (27 - désignations de machines, représentatives du marteau rotatif)

	DX27
--	------

Tension	220-240V~50/60Hz	
Puissance d'entrée	1500W	
vitesse sans chargement	0-920 /min	
Taux d'impact	0-3700/min	
Énergie d'impact	5.0J	
Type de mandrin	SDS-Plus	
Capacité de forage maximale	Acier	13mm
	Maçonnerie	32mm
	Bois	40mm
classe de protection	□/II	
Poids de la machine	5.7kg	

INFORMATIONS RELATIVES AU BRUIT

Niveau de pression acoustique	L_{pA} : 93,3 dB (A)
K_{pA} =	3 dB(A)
Niveau de puissance acoustique	L_{wA} : 104,3 dB (A)
K_{wA} =	3 dB(A)
Porter une protection pour les oreilles	

FR

INFORMATIONS RELATIVES AUX VIBRATIONS

Valeurs totales de vibrations déterminées selon l'EN 62841:	
Perçage à percussion dans du béton	Valeur d'émission de vibrations: $a_{h,p} = 8,35 \text{ m/s}^2$
	Incertitude $K = 1.5 \text{ m/s}^2$
Burinage	Valeur d'émission de vibrations: $a_{h,p} = 7,68 \text{ m/s}^2$
	Incertitude $K = 1.5 \text{ m/s}^2$

La valeur totale de vibration déclarée et la valeur d'émission de bruit déclarée ont été mesurées conformément à la méthode d'essai standard et peuvent être utilisées pour comparer un outil à un autre.

La valeur totale de vibration déclarée et la valeur d'émission de bruit déclarée peuvent également être utilisées lors d'une évaluation préliminaire de l'exposition.



AVERTISSEMENT: Les vibrations et les émissions de bruit au cours de l'utilisation réelle de l'outil électrique peuvent varier de la valeur déclarée en fonction du mode d'utilisation de l'outil, en particulier du type de pièce traité selon les exemples suivants et d'autres variations concernant le mode d'utilisation de l'outil:

Comment l'outil est utilisé et quels matériaux sont coupés ou percés.

L'outil est en bon état et bien entretenu.

L'utilisation du bon accessoire pour l'outil et l'assurance qu'il est affûté et en bon état.

La force avec laquelle vous serrez les poignées et l'utilisation éventuelle d'un quelconque accessoire anti-bruit et anti vibration.

Et l'outil est utilisé comme prévu dans sa conception et dans les présentes instructions.

Cet outil peut causer un syndrome de vibration du bras et de la main s'il n'est pas correctement géré.



AVERTISSEMENT: Pour être précise, une évaluation du niveau d'exposition en conditions réelles d'utilisation doit également tenir compte de toutes les parties du cycle d'utilisation telles que les moments où l'outil est éteint, et ceux où il fonctionne au ralenti mais ne réalise pas réellement de tâche. Ceci peut réduire de façon significative le niveau d'exposition et la période de fonctionnement totale.

Facteurs contribuant à minimiser votre risque d'exposition aux vibrations et au bruit. Utilisez TOUJOURS des ciseaux, des forets et des lames affûtés. Entretenez cet outil en accord avec les présentes instructions et maintenez-le lubrifié (si approprié). Si l'outil doit être fréquemment utilisé, investissez dans des accessoires anti-bruit et anti-vibration. Planifiez votre travail pour étaler toute utilisation d'outil à fortes vibrations sur plusieurs jours.

ACCESSOIRES

Poignée auxiliaire	1
Jauge de profondeur	1
Protecteur anti-poussière	1

Nous vous recommandons d'acheter vos accessoires dans le même magasin qui vous a vendu l'outil. Reportez-vous à l'emballage des accessoires pour plus de détails. Le personnel du magasin peut vous aider et vous conseiller.

MODE D'EMPLOI



NOTE : Avant d'utiliser l'outil, lisez attentivement le manuel d'utilisation.

UTILISATION PRÉVUE

La machine est destinée au perçage dans le béton, la brique et la pierre ainsi que pour les travaux de burinage légers.. Il convient également au perçage sans impact dans le bois, le métal, la céramique et le plastique.

ASSEMBLAGE

1. REGLAGE DE LA POIGNEE AUXILIAIRE (VOIR FIG. A)

Pour votre sécurité personnelle, nous vous recommandons d'utiliser la poignée auxiliaire à tout moment. Tournez la poignée auxiliaire dans le sens antihoraire pour desserrer la bague de serrage. Faites glisser la bague de serrage de la poignée auxiliaire sur le collier de la poignée du marteau et faites tourner la poignée autour du collier jusqu'à ce que la poignée soit dans la position de travail souhaitée. Tournez la poignée dans le sens horaire pour serrer la poignée auxiliaire en place.



AVERTISSEMENT : La poignée auxiliaire doit être utilisée pendant le fonctionnement.

2. INSTALLATION DE LA JAUGE DE PROFONDEUR (VOIR FIG. B)

jauge de profondeur pour définir une profondeur constante pour marteler.

Tournez la vis de verrouillage (a) sur le dessus de la poignée auxiliaire dans le sens inverse des aiguilles d'une montre pour desserrer, insérez la jauge de profondeur dans le trou de la poignée. Réglez-le à la profondeur souhaitée. Tournez la vis de verrouillage dans le sens des aiguilles d'une montre pour serrer.

3. INSERTION ET RETRAIT DE FORET (NON FOURNI) (VOIR FIG. C)

Veillez à ce que le capuchon de protection contre la poussière ne soit pas endommagé lors du changement d'outils.

- INSERTION

Nettoyez et huilez légèrement le foret avant de l'insérer. Rentrez le manchon de verrouillage du porte-outil et insérez le foret sans poussière dans le porte-outil en le tournant jusqu'à ce qu'il se verrouille.

L'embout se verrouille. Vérifiez le verrouillage en tirant sur l'outil.

- RETRAIT

Retirez le manchon de verrouillage du porte-outil et retirez le foret.



AVERTISSEMENT : Votre nouveau marteau rotatif génère des forces puissantes pour effectuer votre travail rapidement et efficacement. Ces forces peuvent

provoquer la rupture et le blocage des embouts SDS de qualité inférieure dans le mandrin. Nous recommandons donc que seuls des embouts SDS de haute qualité soient utilisés avec cet outil.

OPÉRATION

1. INTERRUPTEUR MARCHE / ARRÊT (VOIR FIG. D)

Appuyez sur l'interrupteur marche / arrêt pour démarrer et relâchez-le pour arrêter votre outil.

2. COMMANDE DE VITESSE VARIABLE (VOIR FIG. E)

Avec la commande de vitesse variable, la vitesse requise peut être sélectionnée (également pendant la course).

La vitesse requise dépend du matériau et peut être déterminée par des tests pratiques.

3. POIGNÉE ANTI-VIBRATION

La poignée anti-vibrations réduit les vibrations, ce qui rend le fonctionnement plus confortable et plus sûr.

4. PROTECTEUR ANTI-POUSSIÈRE (VOIR FIG. F)

Avant de percer, placez le protecteur anti-poussière sur le foret.

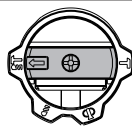


AVERTISSEMENT : Portez toujours des lunettes de protection avec cet outil.

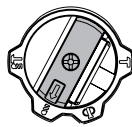
5. SÉLECTION DU MODE DE FONCTION (VOIR FIG. G)

Le fonctionnement de la boîte de vitesses pour chaque application est réglé avec le sélecteur de mode de fonction. Pour passer d'une fonction à l'autre, appuyez sur le bouton de déverrouillage (b) et tournez la molette de sélection sur le mode de fonctionnement souhaité.

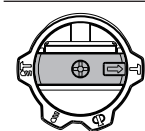
REMARQUE : Après avoir tourné jusqu'à la position requise, déplacez un peu le sélecteur vers la gauche ou la droite pour vérifier si le cadran est verrouillé en place.



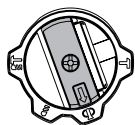
Mode pour le forage et l'impact du béton, Maçonnerie de façon simultanée



Mode ou perçage dans l'acier, le bois et les plastiques



Mode pour ou burinage



Mode pour ajuster l'angle de mandrin de burinage

REMARQUE : Sélectionnez d'abord ce mode de fonction sur "D" ajustez l'angle du mandrin dans la direction souhaitée. Sélectionnez ensuite le mode de fonction sur "T", effectuez le travail de burinage.



AVERTISSEMENT: Le sélecteur de mode de fonctionnement ne peut être actionné qu'à l'arrêt de la machine.

CONSEILS DE TRAVAIL POUR VOTRE OUTIL

1. Réduisez la pression sur le foret lorsqu'il est sur le point de percer. Cela empêchera le foret de se coincer.
2. Lorsque vous percez un grand trou, percez d'abord un trou pilote à l'aide d'un foret plus petit.
3. Appliquez toujours une pression sur votre foret en ligne droite, et si possible à angle droit par rapport à la pièce.
4. Ne changez jamais le mode de fonctionnement lorsque le marteau rotatif est en marche.
5. N'appliquez pas de pression excessive sur l'outil lors du burinage. La force expressive n'accélère pas le travail.

ENTRETIEN

Retirer la fiche de la prise avant de procéder à un réglage, une réparation ou un entretien.

L'outil motorisé ne requiert pas de graissage ou d'entretien particulier. Il n'y a pas de pièces réparables par l'utilisateur dans cet outil. Ne jamais utiliser d'eau ou de nettoyants chimiques pour nettoyer l'outil. Nettoyer avec un chiffon sec. Toujours conserver l'outil motorisé dans un endroit sec. Maintenir les fentes de ventilation du moteur propres. Empêcher que les commandes de marche soient couvertes de sciure. Si l'alimentation est endommagée, elle doit être remplacée par le fabricant, son agent de maintenance ou une personne qualifiée de façon similaire, afin d'éviter tout danger.

DÉPANNAGE

1. Si votre outil électrique ne démarre pas, vérifiez la prise sur l'alimentation d'abord.
2. Si votre marteau devient trop chaud lors d'utilisation, réglez l'interrupteur du marteau sur le mode de perçage et laissez votre perceuse fonctionner à vitesse maximale sans charge pendant 2 minutes.
3. Si l'efficacité de votre marteau est trop faible, veuillez ajouter suffisamment de graisse dans le bac à graisse.
4. Si votre marteau est utilisé dans une condition à faible efficacité, veuillez vérifier si l'outil est émoussé.
5. Si un défaut ne peut pas être corrigé, renvoyez l'outil à un revendeur agréé pour réparation.

PROTECTION DE L'ENVIRONNEMENT



Les déchets d'équipements électriques et électroniques ne doivent pas être déposés avec les ordures ménagères. Ils doivent être collectés pour être recyclés dans des centres spécialisés. Consultez les autorités locales ou votre revendeur pour obtenir des renseignements sur l'organisation de la collecte.

DÉCLARATION DE CONFORMITÉ

Nous,
POSITEC Germany GmbH
Postfach 32 02 16, 50796 Cologne, Germany

Déclarons ce produit
Description **Marteau Perforateur**
Modèle **DX27 (27-désignations des pièces, illustration de la Marteau Perforateur)**
Fonction **Martelage de différents matériaux**

Est conforme aux directives suivantes:
2006/42/EC,
2014/30/EU,
2011/65/EU&(EU)2015/863

Et conforme aux normes
EN 62841-1, EN IEC 62841-2-6, EN IEC 55014-1,
EN IEC 55014-2, EN IEC 61000-3-2, EN 61000-3-3

La personne autorisée à compiler le dossier technique,
Nom Marcel Filz
Adresse POSITEC Germany GmbH Postfach 32 02 16,
50796 Cologne, Germany



2022/11/22
Allen Ding
Ingénieur en chef adjoint, Essais & Certification
Positec Technology (China) Co., Ltd
18, Dongwang Road, Suzhou Industrial
Park, Jiangsu 215123, P. R. China

ISTRUZIONI ORIGINALI

SICUREZZA DEL PRODOTTO

AVVISI GENERALI PER LA SICUREZZA DEGLI UTENSILI A MOTORE



ATTENZIONE! Leggere tutte le avvertenze di sicurezza, le istruzioni, le illustrazioni e le specifiche fornite con questo elettrodomestico. Eventuali errori nell'adempimento delle istruzioni qui di seguito riportate potranno causare scosse elettriche, incendi e/o lesioni gravi.

Conservare tutti gli avvisi e le istruzioni per poterle consultare quando necessario.

Il termine qui di seguito utilizzato «utensile elettrico» si riferisce ad utensili elettrici alimentati dalla rete (con linea di allacciamento), nonché ad utensili elettrici alimentati a pile (senza linea di allacciamento).

1. POSTO DI LAVORO

- a) **Mantenere pulito ed ordinato il posto di lavoro.** Il disordine e le zone di lavoro non illuminate possono essere fonte di incidenti.
- b) **Evitare d'impiegare l'utensile in ambienti soggetti al rischio di esplosioni nei quali si trovino liquidi, gas o polveri infiammabili.** Gli utensili elettrici producono scintille che possono far infiammare la polvere o i gas.
- c) **Mantenere lontani i bambini ed altre persone durante l'impiego dell'utensile elettrico.** Eventuali distrazioni potranno comportare la perdita del controllo sull'utensile.

2. SICUREZZA ELETTRICA

- a) **La spina per la presa di corrente dovrà essere adatta alla presa.** Evitare assolutamente di apportare modifiche alla spina. Non impiegare spine adattatrici assieme ad utensili con collegamento a terra. Le spine non modificate e le prese adatte allo scopo riducono il rischio di scosse elettriche.
- b) **Evitare il contatto fisico con superfici collegate a terra, come tubi, riscaldamenti, cucine elettriche e frigoriferi.** Sussiste un maggior rischio di scosse elettriche nel momento in cui il corpo è messo a massa.
- c) **Custodire l'utensile al riparo dalla pioggia o dall'umidità.** L'eventuale infiltrazione di acqua in un utensile elettrico va ad aumentare il rischio d'insorgenza di scosse elettriche.
- d) **Non usare il cavo per scopi diversi da quelli previsti al fine di trasportare o appendere l'apparecchio, oppure di togliere la spina dalla presa di corrente.** Mantenere l'utensile al riparo da fonti di calore, dall'olio, dagli spigoli da parti di strumenti in movimento. I cavi danneggiati o aggrovigliati aumentano il rischio d'insorgenza di scosse elettriche.
- e) **Qualora si voglia usare l'utensile all'aperto, impiegare solo ed esclusivamente cavi di prolunga omologati per l'impiego all'esterno** riduce il rischio d'insorgenza di scosse elettriche.
- f) **Se si deve utilizzare l'utensile a motore in un luogo umido, utilizzare una fonte di alimentazione con protezione a corrente residua.** L'uso di un dispositivo a corrente residua riduce il rischio di folgorazioni elettriche.

3. SICUREZZA DELLE PERSONE

- a) **È importante concentrarsi su ciò che si sta facendo e a maneggiare con giudizio l'utensile elettrico durante le**

operazioni di lavoro. Non utilizzare l'utensile in caso di stanchezza o sotto l'effetto di droghe, bevande alcoliche e medicinali. Un attimo di distrazione durante l'uso dell'utensile potrà causare lesioni gravi.

- b) **Indossare sempre equipaggiamento protettivo individuale, nonché guanti protettivi.** Se si avrà cura d'indossare equipaggiamento protettivo individuale come la maschera antipolvere, la calzatura antidistrucchiolevole di sicurezza, il casco protettivo o la protezione dell'udito, a seconda dell'impiego previsto per l'utensile elettrico, si potrà ridurre il rischio di ferite.
 - c) **Evitare avviamenti involontari. Controllare che l'interruttore sia nella posizione off prima di effettuare il collegamento a una sorgente di alimentazione/batteria, e prima di sollevare o trasportare l'utensile.** Il fatto di tenere il dito sopra l'interruttore o di collegare l'utensile acceso all'alimentazione di corrente potrà essere causa di incidenti.
 - d) **Togliere gli attrezzi di regolazione o la chiave inglese prima di accendere l'utensile.** Un utensile o una chiave inglese che si trovino in una parte di strumento in rotazione potranno causare lesioni.
 - e) **È importante non sopravvalutarsi. Avere cura di mettersi in posizione sicura e di mantenere l'equilibrio.** In tale maniera sarà possibile controllare meglio l'apparecchio in situazioni inaspettate.
 - f) **Indossare vestiti adeguati. Evitare di indossare vestiti lenti o gioielli.** Tenere i capelli, i vestiti ed i guanti lontani da pezzi in movimento. Vestiti lenti, gioielli o capelli lunghi potranno impigliarsi in pezzi in movimento.
 - g) **Se sussiste la possibilità di montare dispositivi di aspirazione o di captazione della polvere, assicurarsi che gli stessi siano stati installati correttamente e vengano utilizzati senza errori.** L'impiego dei suddetti dispositivi diminuisce il pericolo rappresentato dalla polvere.
 - h) **Non lasciare che la familiarità acquisita con l'utilizzo frequente dell'elettrodomestico si trasformi in autocompiacimento e trascuratezza dei principi di sicurezza.**
- #### 4. Maneggio ed impiego accurato di utensili elettrici
- a) **Non sovraccaricare l'utensile.** Impiegare l'utensile elettrico adatto per sbrigare il lavoro. Utilizzando l'utensile elettrico adatto si potrà lavorare meglio e con maggior sicurezza nell'ambito della gamma di potenza indicata.
 - b) **Non utilizzare utensili elettrici con interruttori difettosi.** Un utensile elettrico che non si può più accendere o spegnere è pericoloso e dovrà essere riparato.
 - c) **Scolleghare la spina dalla sorgente di alimentazione e/o la batteria dall'utensile prima di effettuare regolazione, cambiare accessori, o riporre gli utensili a motore.** Tale precauzione eviterà che l'apparecchio possa essere messo in funzione inavvertitamente.
 - d) **Custodire gli utensili elettrici non utilizzati al di fuori della portata dei bambini.** Non fare usare l'apparecchio a persone che non sono abituate ad usarlo o che non abbiano letto le presenti istruzioni. Gli utensili elettrici sono pericolosi se utilizzati da persone inesperte.
 - e) **Effettuare accuratamente la manutenzione dell'apparecchio.** Verificare che le parti mobili dello strumento funzionino perfettamente e non s'inceppino, che non ci siano pezzi rotti o danneggiati al punto tale da limitare la funzione dell'apparecchio stesso. Far riparare le parti danneggiate prima d'impiegare l'apparecchio. Numerosi incidenti vengono causati da utensili elettrici la cui manutenzione è stata effettuata poco accuratamente.

- f) **Mantenere affilati e puliti gli utensili da taglio.** *Gli utensili da taglio curati con particolare attenzione e con taglianti affilati s'incepiscono meno frequentemente e sono più facili da condurre.*
- g) **Utilizzare utensili elettrici, accessori, attrezzi, ecc. in conformità con le presenti istruzioni e secondo quanto previsto per questo tipo specifico di apparecchio.** *Osservare le condizioni di lavoro ed il lavoro da eseguirsi durante l'impiego. L'impiego di utensili elettrici per usi diversi da quelli consentiti potrà dar luogo a situazioni di pericolo.*
- h) **Mantenere le impugnature e le superfici di presa asciutte, pulite e prive di olio e grasso.** *Le impugnature e le superfici di presa scivolose non permettono l'uso e il controllo sicuri dell'elettro utensile in situazioni impreviste.*
5. **ASSISTENZA**
- a) **Fare riparare l'apparecchio solo ed esclusivamente da personale specializzato e solo impiegando pezzi di ricambio originali.** *In tale maniera potrà essere salvaguardata la sicurezza dell'apparecchio.*

INDICAZIONI DI SICUREZZA PER MARTELLI

- 1) **Istruzioni di sicurezza per tutte le operazioni**
- a) **Indossare protezione per le orecchie.** *L'esposizione al rumore può provocare la perdita dell'udito.*
- b) **Usare le impugnature ausiliarie fornite in dotazione all'attrezzo.** *La perdita di controllo può provocare lesioni personali.*
- c) **Afferrare lo strumento per le apposite maniglie quando si eseguono operazioni durante le quali l'attrezzo potrebbe entrare in contatto con cavi nascosti.** *Il contatto con cavi elettrici in tensione espone l'operatore al rischio di scosse elettriche.*
- 2) **Istruzioni di sicurezza per l'uso di punte lunghe con martelli rotanti**
- a) **Iniziare sempre la foratura a bassa velocità e con la punta a contatto con il pezzo.** *A velocità più elevate, è probabile che la punta si pieghi se viene lasciata ruotare*

- liberamente senza entrare in contatto con il pezzo, con conseguenti lesioni personali.*
- b) **Applicare la pressione solo in linea diretta con la punta e non applicare una pressione eccessiva.** *Le punte possono piegarsi, causando rotture o perdita di controllo, con conseguenti lesioni personali.*

ULTERIORI NORME DI SICUREZZA PER IL MARTELLO

1. **Indossare una mascherina antipolvere.**

SIMBOLI



Per ridurre il rischio di lesioni, l'utente deve leggere il manuale di istruzioni



Attenzione



Indossare protezione per le orecchie



Indossare protezione per gli occhi



Indossare una mascherina antipolvere



Doppio isolamento



I prodotti elettrici non possono essere gettati tra i rifiuti domestici. L'apparecchio da rottamare deve essere portato al centro di riciclaggio per un corretto trattamento. Controllare con le autorità locali o con il rivenditore per localizzare il centro di riciclaggio più vicino.

ELENCO DEI COMPONENTI

1. TAPPO ANTIPOLVERE
2. MANICOTTO DI BLOCCO DI PORTAUTENSILE
3. PROFONDIMETRO
4. SELEZIONE SU SELETTORE DELLA MODALITÀ FUNZIONE
5. MANIGLIA ANTIVIBRANTE
6. INTERRUETTORE ACCESO/SPENTO
7. CONTROLLO DI VELOCITÀ VARIABILE
8. MANIGLIA AUSILIARIA
9. COPERCHIO ANTIPOLVERE

Non tutti gli accessori illustrati o descritti sono inclusi nella consegna standard.

DATI TECNICI

Designazione del tipo DX27 (27 - designazione del macchinario, rappresentante del martello perforatore)

	DX27
--	------

Vtaggio		220-240V~50/60Hz
Alimentazione di input		1500W
Velocità a vuoto		0-920 /min
Tasso di impatto		0-3700/min
Energia di impatto		5.0J
Tipo di mandrino		SDS-Plus
Max. capacità di perforazione	Acciaio	13mm
	Opere murarie	32mm
	Legno	40mm
Classe di protezione		□/II
Peso della macchina		5.7kg

INFORMAZIONI SUL RUMORE

Pressione acustica ponderata A	L_{pA} : 93,3 dB (A)
K_{pA} =	3 dB(A)
Potenza acustica ponderata A	L_{wA} : 104,3 dB (A)
K_{wA} =	3 dB(A)
Indossare protezione per le orecchie	

INFORMAZIONI SULLA VIBRAZIONE

I valori totali di vibrazione sono determinati secondo lo standard EN 62841:	
Perforazione a percussione su cemento	Valore emissione vibrazioni: $a_{h,p} = 8,35 \text{ m/s}^2$
	Incertezza K = 1.5 m/s^2
Scalpellatura	Valore emissione vibrazioni: $a_{h,p} = 7,68 \text{ m/s}^2$
	Incertezza K = 1.5 m/s^2

Il valore totale di emissione di vibrazioni dichiarato e il valore di emissioni sonore dichiarati sono stati misurati in base a un metodo di collaudo standard e possono essere utilizzati per il confronto di un utensile con un altro.

Il valore totale di emissione di vibrazioni dichiarato e il valore di emissioni sonore dichiarato possono anche essere utilizzati in una valutazione preliminare dell'esposizione.

AVVERTENZA: Le emissioni di vibrazioni e sonore durante l'uso effettivo dell'elettro utensile possono differire dal valore dichiarato in base alle modalità con cui esso viene utilizzato. In particolare quale tipo di pezzo viene lavorato dipende dai seguenti fattori e da altre variazioni sulle modalità di utilizzo dell'elettro utensile:

Come viene usato l'elettro utensile e quali sono i materiali tagliati o forati.

Le condizioni e la buona manutenzione dell'elettro utensile.

L'uso dell'accessorio corretto per il taglio e la sua affilatura, nonché le sue buone condizioni.

La tenuta della presa sulle impugnature e se vengono utilizzati eventuali accessori antivibrazioni e anturumore.

L'adeguatezza dell'utilizzo dell'elettro utensile rispetto a quanto previsto.

Questo strumento potrebbe causare la sindrome della vibrazione dell'avambraccio se il suo utilizzo non viene gestito correttamente.

AVVERTENZA: Per essere precisi, una stima del livello di esposizione nelle attuali condizioni di utilizzo dovrebbe anche tenere conto di tutte le parti del ciclo operativo, come le volte in cui lo strumento viene spento e il tempo in cui viene lasciato girare a vuoto senza realmente fare il suo lavoro. Questo potrebbe ridurre significativamente il livello di esposizione sul periodo di lavoro totale.

Aiuto a minimizzare il rischio di esposizione alle vibrazioni e al rumore.

Usare sempre scalpelli, trapani e lame affilati.

Conservare questo elettrotensile sempre in conformità a queste istruzioni e mantenerlo ben lubrificato (dove appropriato). Se l'utensile deve essere utilizzato regolarmente, investire in accessori antivibrazioni e antirumore. Pianificare il lavoro in modo da suddividere i lavori che implicano le maggiori vibrazioni nell'arco di più giorni.

ACCESSORI

Maniglia ausiliaria	1
Profondimetro	1
Coperchio antipolvere	1

Si consiglia di acquistare accessori dal negozio in cui viene venduto l'utensile. Per informazioni più dettagliate, consultare la confezione degli accessori. Il personale del negozio può aiutarvi con consigli.

ISTRUZIONI PER L'USO



NOTA: Leggere attentamente il manuale di istruzioni prima di utilizzare l'utensile.

USO PREVISTO

La macchina viene utilizzata per la perforazione a percussione in calcestruzzo, mattoni e pietre come lavoro di scalpellatura leggera. È inoltre adatto alla perforazione senza intaccare il legno, il metallo, la ceramica e la plastica.

MONTAGGIO

1. INSTALLARE LA MANIGLIA AUSILIARIA (VEDI FIG. A)

Per la propria sicurezza personale, si consiglia di utilizzare sempre le maniglie ausiliarie.

Ruotare la maniglia della maniglia ausiliaria in senso antiorario per rilasciare l'anello di bloccaggio. Far scorrere l'anello di serraggio della maniglia ausiliaria sul collare della maniglia del martello, quindi ruotare la maniglia attorno al colletto fino a quando la maniglia si trova nella posizione di lavoro desiderata. Ruotare l'impugnatura in senso orario per serrare la maniglia ausiliaria in posizione.



ATTENZIONE: La maniglia ausiliaria deve essere utilizzata durante il funzionamento.

2. INSTALLAZIONE DEL PROFONDIMETRO (VEDI FIG. B)

Il profondimetro può essere utilizzato per impostare una profondità di foratura costante.

Ruotare la vite di bloccaggio (a) sulla parte superiore della maniglia ausiliaria in senso antiorario per allentarla e inserire il profondimetro nel foro della maniglia. Regolarlo alla profondità desiderata. Ruotare la vite di bloccaggio in senso orario per serrare.

3. INSERIMENTO E RIMOZIONE DELLA PUNTA DA TRAPANO (NON FORNITA) (VEDI FIG. C)

Quando si cambia l'utensile, prestare attenzione a non danneggiare il tappo antipolvere.

- INSERIMENTO:

Prima di inserire, pulire e oliare leggermente la punta. Ritirare il manicotto di bloccaggio del supporto di lama, quindi inserire la punta senza polvere nel supporto di lama senza ruotare finché non scatta.

La punta si bloccherà da sola. Controllare il blocco tirando l'utensile.

- RIMOZIONE:

Ritirare il manicotto di bloccaggio del portautensile ed estrarre la punta da trapano.



ATTENZIONE: Il tuo nuovo martello elettrico produce forze potenti che possono completare il tuo lavoro in modo rapido ed efficiente. Queste forze possono causare la

rottura delle punte SDS inferiori e il loro bloccaggio nel mandrino. Pertanto, si consiglia che questo utensile utilizzi solo punta SDS di alta qualità.

FUNZIONAMENTO

1. INTERRUOTTORE ON/OFF (VEDI FIG. D)

Premere l'interruttore Acceso/ Spento per avviarlo e rilasciarlo per arrestare l'utensile.

2. CONTROLLO DELLA VELOCITÀ VARIABILE (VEDI FIG. E)

Tramite il controllo della velocità variabile, è possibile selezionare la velocità desiderata (anche sta funzionando). La velocità richiesta dipende dal materiale ed è determinata da prove effettive.

3. MANIGLIA ANTIVIBRANTE

La maniglia antivibrante riduce le vibrazioni, rendendo l'operazione più comoda e sicura.

4. COPERCHIO ANTIPOLVERE (VEDI FIG. F)

Prima di forare, applicare il coperchio antipolvere sulla punta.



ATTENZIONE: Indossare sempre una protezione per gli occhi quando si utilizza questo utensile.

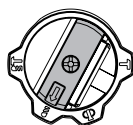
5. SELEZIONE DI MODALITÀ FUNZIONE (VEDI FIG. G)

Il funzionamento del cambio per ciascuna applicazione viene impostato tramite il selettore della modalità di funzione. Per alternare tra le funzioni, premere il pulsante di sblocco (b), quindi ruotare il selettore sulla modalità operativa desiderata. (VEDI FIG. H)

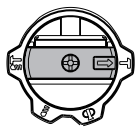
NOTA: Dopo aver ruotato nella posizione desiderata, spostare leggermente il selettore verso sinistra o verso destra per verificare se il quadrante è bloccato in posizione.



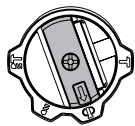
Modalità per foratura simultanea e impatto del calcestruzzo, muratura



Modalità adatta a perforazione in acciaio, legno e plastica



Modalità per o scalpello



Modalità per la regolazione dell'angolo del mandrino dello scalpello
NOTA: Innanzitutto selezionare la modalità funzione "DB" regolare l'angolo del mandrino a direzione desiderata. Quindi selezionare la modalità della funzione come "T", per eseguire lo scalpello.



ATTENZIONE: Il selettore della modalità di funzione può essere utilizzato solo in uno stato stazionario.

SUGGERIMENTI DI LAVORO PER IL TUO UTENSILE

1. Quando la punta da trapano sta per rompersi, ridurre la sua pressione. Ciò impedisce che la punta da trapano rimanga bloccata.
2. Quando si esegue un foro di grandi dimensioni, utilizzare innanzitutto una punta più piccola per praticare un foro pilota.
3. Applicare sempre una pressione sulla punta in linea retta, se possibile, ad angolo retto rispetto al pezzo.
4. Non modificare la modalità operativa mentre il martello è in funzione.
5. Non applicare una pressione eccessiva sull'utensile durante la scalpellatura. La forza espressiva non accelererà il lavoro.

MANUTENZIONE

Rimuovere la spina dalla presa di corrente prima di eseguire qualsiasi regolazione, riparazione o manutenzione.

L'attrezzo non richiede di lubrificazione o manutenzione aggiuntiva. All'interno dell'attrezzo non ci sono parti riparabili da parte dell'utente. Non usare mai acqua o detergenti chimici per pulire l'attrezzo. Pulire con un panno asciutto. Riporre sempre gli attrezzi elettrici in luoghi asciutti. Tenere pulite le aperture di ventilazione del motore. Tenere puliti dalla polvere tutti i controlli operativi.

Se il cavo d'alimentazione è danneggiato, deve essere sostituito dal produttore, il suo distributore o persona egualmente qualificata per evitare pericoli.

RISOLUZIONE DEI PROBLEMI

1. Se l'elettro utensile non si avvia, controllare Prima la spina dell'alimentatore.
2. Se il tuo martello si surriscalda durante l'uso, imposta l'interruttore del martello in modalità trapano e lasciare che il trapano funzioni alla massima velocità per 2 minuti senza carico.
3. Se l'efficienza di lavoro del martello è troppo bassa, si

prega di aggiungere abbastanza grasso alla scatola del grasso.

4. Se il martello viene utilizzato in modo inefficiente, controllare se l'utensile è smussato.
5. Se non è possibile correggere un errore, riportare l'utensile a un rivenditore autorizzato per la riparazione.

TUTELA AMBIENTALE



I prodotti elettrici non possono essere gettati tra i rifiuti domestici. L'apparecchio da rottamare deve essere portato al centro di riciclaggio per un corretto trattamento. Controllare con le autorità locali o con il rivenditore per localizzare il centro di riciclaggio più vicino.

DICHIARAZIONE DI CONFORMITÀ

NOI,
 POSITEC Germany GmbH
 Postfach 32 02 16, 50796 Cologne, Germany

Dichiara che l'apparecchio
 Descrizione **Martello Rotativo**
 Codice **DX27 (27-designazione del macchinario rappresentativo del Martello Rotante)**
 Funzioni **Perforazione di vari materiali.**

È conforme alle seguenti direttive:

2006/42/EC,
2014/30/EU,
2011/65/EU&(EU)2015/863

Conforme a,
EN 62841-1, EN IEC 62841-2-6, EN IEC 55014-1,
EN IEC 55014-2, EN IEC 61000-3-2, EN 61000-3-3

Il responsabile autorizzato alla compilazione della documentazione tecnica,

Nome **Marcel Filz**
 Indirizzo **POSITEC Germany GmbH Postfach 32 02 16, 50796 Cologne, Germany**

2022/11/22
 Allen Ding
 Vice capo ingegnere, testing e certificazione
 Positec Technology (China) Co., Ltd
 18, Dongwang Road, Suzhou Industrial
 Park, Jiangsu 215123, P. R. China



MANUAL ORIGINAL

SEGURIDAD DEL PRODUCTO

ADVERTENCIAS DE SEGURIDAD

GENERALES SOBRE

HERRAMIENTAS ELÉCTRICAS



¡Advertencia! Lea todas las advertencias de seguridad, instrucciones, ilustraciones y especificaciones que acompañan a esta herramienta eléctrica. Si no se respetan las instrucciones, existe un riesgo de descargas eléctricas, de incendio y/o de graves heridas.

Conserve todas las advertencias e instrucciones para futuras consultas.

El término "herramienta eléctrica" en todas las advertencias siguientes corresponde a la herramienta eléctrica con o sin cable.

1. ZONA DE TRABAJO

- a) **Mantener su lugar de trabajo limpio y bien iluminado.** Bancos de trabajo desordenados y lugares oscuros invitan a los accidentes.
- b) **No utilizar herramientas eléctricas en atmósferas explosivas, como por ejemplo en presencia de líquidos inflamables, gases o polvo.** Las herramientas eléctricas crean chispas que pueden encender el polvo o los vapores.
- c) **Mantener alejados a los niños y visitantes mientras opera una herramienta eléctrica.** Las distracciones pueden hacerle perder el control.

2. SEGURIDAD ELÉCTRICA

- a) **No enchufes de la herramienta eléctrica deben encajar perfectamente en el tomacorriente. Nunca modificar el enchufe de ninguna manera. No utilizar adaptadores con herramientas eléctricas conectadas a tierra.** Los enchufes no modificados y los que encajan perfectamente en el tomacorriente reducirán el riesgo de descarga eléctrica.
- b) **Evitar el contacto del cuerpo con superficies conectadas a tierra tales como caños, radiadores, cocinas y heladeras.** Existe un riesgo creciente de descarga eléctrica si su cuerpo queda conectado a tierra.
- c) **No exponer las herramientas eléctricas a la lluvia y no guardar en lugares húmedos.** El agua que penetra en ellas aumentará el riesgo de una descarga eléctrica.
- d) **No abusar del cable. Nunca utilizar el cable para transportar, tirar o desenchufar la herramienta eléctrica. Mantener el cable alejado del calor, del aceite, de bordes agudos o piezas móviles.** Los cables dañados o enredados aumentan el riesgo de descarga eléctrica.
- e) **Cuando utilice su herramienta eléctrica al aire libre, emplear un prolongador apto para uso en exteriores.** El empleo de cables para uso al aire libre reduce el riesgo de descarga eléctrica.
- f) **Si es necesario utilizar la herramienta motorizada en un lugar muy húmedo, utilice una fuente de alimentación con dispositivo de corriente residual (RCD).** El uso de un RCD reduce el riesgo de descarga eléctrica.

3. SEGURIDAD PERSONAL

- a) **Mantenerse alerta, poner atención en lo que está haciendo y utilice el sentido común mientras opera una herramienta eléctrica. No emplear la herramienta cuando se encuentre cansado o bajo la influencia de**

drogas, alcohol o medicación. Un momento de falta de atención durante el manejo de herramientas eléctricas puede dar lugar a daños corporales serios.

- b) **Utilizar equipo de seguridad. Usar siempre protección ocular.** Equipo de seguridad como máscaras contra el polvo, zapatos antideslizantes de seguridad, sombrero o protección auditiva para condiciones apropiadas reducirá daños corporales.
- c) **Evite el arranque accidental. Asegúrese de que el interruptor se encuentra desactivado antes de enchufar la máquina o colocar la batería, al tomar la herramienta o transportarla.** Transportar herramientas con el dedo en el interruptor o enchufar la herramienta cuando el interruptor está encendido invitan a los accidentes.
- d) **Retire llaves de ajuste o llaves inglesas antes de poner la herramienta en funcionamiento. Una llave que queda unida a una pieza móvil de la herramienta puede originar daños corporales.**
- e) **No extralimitarse. Mantenerse firme y con buen equilibrio en todo momento.** Esto permite un mejor control de la herramienta en situaciones inesperadas.
- f) **Vestirse apropiadamente. No usar ropa suelta ni alhajas.** Mantener su cabello, ropa y guantes alejados de las piezas móviles. La ropa suelta, las alhajas o el cabello largo pueden ser atrapados por las piezas móviles.
- g) **Si se proporcionan dispositivos para la extracción y recolección de polvo, asegurarse de que estos estén conectados y utilizados correctamente.** El uso de estos dispositivos puede reducir peligros relacionados con el polvo.
- h) **No permita que el hecho de estar familiarizado con el uso de herramientas le haga volverse descuidado o ignorar las normas de seguridad.** La falta de atención puede provocar heridas graves en una fracción de segundo.

4. MANTENIMIENTO DE LA HERRAMIENTA MOTORIZADA

- a) **No forzar la herramienta eléctrica. Utilizar la herramienta eléctrica correcta para su aplicación.** La herramienta eléctrica correcta hará el trabajo mejor y más seguro a la velocidad para la cual fue diseñada.
- b) **No utilizar la herramienta eléctrica si el interruptor no la enciende o apaga.** Cualquier herramienta eléctrica que no pueda ser controlada con el interruptor es peligrosa y debe ser reparada.
- c) **Desconecte el enchufe de la toma eléctrica y/o la batería de la herramienta antes de realizar cualquier ajuste, cambiar un accesorio o guardar la herramienta.** Tales medidas de seguridad preventivas reducen el riesgo de arranque accidental de la herramienta.
- d) **Mantener las herramientas eléctricas que no usa fuera del alcance de los niños y no permita que personas no familiarizadas con la herramienta o con estas instrucciones maneje la herramienta eléctrica.** Las herramientas eléctricas son peligrosas en manos de usuarios inexpertos.
- e) **Revisar las herramientas eléctricas. Comprobar si hay desalineamiento o atascamiento de piezas móviles, rotura de piezas en general y cualquier otra condición que pueda afectar la operación normal de la herramienta.** Si se verifican daños, recurra a un service calificado antes de volver a usar la herramienta. Las herramientas mal mantenidas causan muchos accidentes.
- f) **Mantener las piezas de corte limpias y afiladas.** Puesto que son menos probables de atascarse y más fáciles de controlar.
- g) **Utilizar la herramienta eléctrica, accesorios y brocas etc., de acuerdo con estas instrucciones y de la manera**

prevista para el tipo particular de herramienta eléctrica, teniendo en cuenta las condiciones de trabajo y el trabajo a ser realizado. El uso de la herramienta eléctrica para otras operaciones distintas de lo previsto podría dar lugar a una situación peligrosa.

- h) Mantenga las empuñaduras y las superficies de agarre secas, limpias y sin aceite ni grasa. Una empuñadura o una superficie de agarre resbaladiza dificultan la correcta manipulación y el control de la herramienta en situaciones imprevistas.

5. REPARACIÓN

- a) Permitir que el mantenimiento de su herramienta eléctrica sea efectuado por una persona calificada usando solamente piezas de recambio idénticas. Esto es primordial para mantener la seguridad de la herramienta eléctrica.

INSTRUCCIONES DE SEGURIDAD PARA MARTILLOS

- 1) Instrucciones de seguridad para todas las operaciones
- a) Utilice protección auditiva. Estar expuesto a altos niveles de ruido puede causar pérdida de audición.
- b) Utilice las empuñaduras auxiliares suministradas con la herramienta. La pérdida de control puede causar lesiones personales.
- c) Sostenga la herramienta por las empuñaduras aislantes cuando realice una operación donde la herramienta de corte puede entrar en contacto con cableado oculto. El contacto con un cable con corriente también hará que las partes expuestas del metal de la herramienta puedan transmitirle una descarga eléctrica.
- 2) Instrucciones de seguridad cuando se usan brocas largas con martillos rotatorios
- a) Empezar siempre a taladrar a baja velocidad y con la punta de la broca en contacto con la pieza de trabajo. A velocidades más altas, la broca probablemente se doblará si se le permite rotar libremente sin hacer contacto con la pieza de trabajo, lo que puede provocar lesiones.

- b) Aplicar presión únicamente en línea directa con la broca y no aplicar una presión excesiva. Las brocas se pueden doblar, lo que provocaría su rotura o la pérdida de control, e incluso lesiones.

REGLAS DE SEGURIDAD ADICIONALES PARA MARTILLO

1. Utilice una máscara antipolvo.

SÍMBOLOS



Para reducir el riesgo de lesión, lea el manual de instrucciones



Advertencia



Utilice protección auditiva



Utilizar protección ocular



Utilizar una máscara antipolvo



Doble aislamiento



Los residuos de aparatos eléctricos y electrónicos no deben depositarse en la basura doméstica. Se deben reciclar en las instalaciones especializadas. Consulte a las autoridades locales o el establecimiento para saber cómo reciclar estos productos.


LISTA DE COMPONENTES

1. TAPA DE PROTECCIÓN CONTRA EL POLVO
2. MANGUITO DE BLOQUEO DEL PORTAHERRAMIENTAS
3. MEDIDOR DE PROFUNDIDAD
4. INTERRUPTOR PARA LA SELECCIÓN DE LOS MODOS DE FUNCIONAMIENTO
5. MANIJA ANTI-VIBRACIÓN
6. INTERRUPTOR ENCENDIDO / APAGADO
7. CONTROL DE VELOCIDAD VARIABLE
8. MANGO AUXILIAR
9. GUARDAPOLVOS

No todos los adjuntos ilustrados o descritos están incluidos en la entrega estándar.

DATOS TÉCNICOS

Tipo DX27 (designación de maquinaria 27, representante de Angle Grinder)

		DX27
Voltaje		220-240V~50/60Hz
Potencia de entrada		1500W
Sin velocidad de carga		0-920 /min
Tasa de impacto		0-3700/min
Energía de impacto		5.0J
Tipo de mandril		SDS-Plus
Capacidad máxima de perforación	Acero	13mm
	Albañilería	32mm
	Madera	40mm
Clase de protección		 /II
Peso de la máquina		5.7kg

INFORMACIÓN DE RUIDO

Nivel de presión acústica ponderada	L_{pA} : 93,3 dB (A)
K_{pA} =	3 dB(A)
Nivel de potencia acústica ponderada	L_{wA} : 104,3 dB (A)
K_{wA} =	3 dB(A)
Utilice protección auditiva.	

ES

INFORMACIÓN DE VIBRACIÓN

Los valores totales de vibración (suma de cobertura triax) se determinan según la norma EN 62841:	
Perforación percutora en cemento	Valor de emisión de vibración: $a_{h,p} = 8,35 \text{ m/s}^2$
	Incertidumbre $K = 1.5 \text{ m/s}^2$
Cinzelado	Valor de emisión de vibración: $a_{h,p} = 7,68 \text{ m/s}^2$
	Incertidumbre $K = 1.5 \text{ m/s}^2$

El valor total de vibraciones declarado y el valor de emisiones acústicas declarado se han medido de conformidad con un método de prueba estándar y pueden utilizarse para realizar comparaciones entre herramientas.

El valor total de vibraciones declarado y el valor de emisiones acústicas declarado también pueden utilizarse en una evaluación preliminar de la exposición.



ADVERTENCIA: Las vibraciones y las emisiones acústicas que se producen durante el uso de la herramienta eléctrica pueden variar respecto a los valores declarados en función de cómo se utilice la herramienta, especialmente dependiendo del tipo de pieza de trabajo que se procese y de otras formas de usar la herramienta:

Cómo se utiliza la herramienta y se cortan o perforan los materiales.

Si la herramienta se encuentra en buenas condiciones de mantenimiento.

Si se utiliza el accesorio correcto para la herramienta y se garantiza que está afilado y en buenas condiciones.

La firmeza de sujeción de las empuñaduras, y el uso de accesorios para reducir las vibraciones y el ruido.

Y si la herramienta se utiliza según su diseño y estas instrucciones.

Esta herramienta podría causar síndrome de vibración del brazo y la mano si no se utiliza correctamente.



ADVERTENCIA: Para conseguir una mayor precisión, debe tenerse en cuenta una estimación del nivel de exposición en condiciones reales de todas las partes del ciclo de uso, como los tiempos durante los que la herramienta está apagado o cuando está en funcionamiento pero no está realizando ningún trabajo. Ello podría reducir notablemente el nivel de exposición sobre el periodo de carga total.

Minimización del riesgo de exposición a las vibraciones y el ruido.

Utilice SIEMPRE cinceles, brocas y cuchillas afiladas.

Mantenga esta herramienta de acuerdo con estas instrucciones y bien lubricada (si es necesario).

Si la herramienta se va a utilizar de forma habitual, se recomienda adquirir accesorios para reducir las vibraciones y el ruido.

Planifique su programa de trabajo para distribuir el uso de la herramienta a lo largo de varios días.

ACCESORIOS

Mango auxiliar	1
Medidor de profundidad	1
Guardapolvos	1

Le recomendamos que compre sus accesorios en la misma tienda que le vendió la herramienta. Vea el paquete de accesorios para más información. El empleado puede ayudarlo y aconsejarlo.

INSTRUCCIONES



NOTA: Antes de utilizar la herramienta, lea atentamente el libro de instrucciones.

POSIBLE USO

La máquina está diseñada para perforar martillos en hormigón, ladrillos y piedras. También es adecuado para perforar sin impacto en madera, metal, cerámica y plástico.

ENSAMBLAJE

1. AJUSTE DE LA MANIJA AUXILIAR (VER FIG. A)

Por su seguridad personal, recomendamos utilizar el mango auxiliar en todo momento.

Gire la empuñadura del mango auxiliar en sentido contrario a las agujas del reloj para aflojar el anillo de sujeción. Deslice el anillo de sujeción del mango auxiliar sobre el collar del martillo y gire el mango alrededor del collar hasta que el mango esté en la posición de trabajo deseada. Gire la empuñadura en el mismo sentido a las agujas del reloj para apretar la manija auxiliar en su lugar.



ADVERTENCIA: El mango auxiliar debe utilizarse durante el funcionamiento.

2. AJUSTE DE LA MANIJA AUXILIAR (VER FIG. B)

El medidor de profundidad se puede utilizar para establecer una profundidad constante para martillar.

Gire el tornillo de bloqueo (a) en la parte superior del mango auxiliar en sentido contrario a las agujas del reloj para aflojarlo, inserte el medidor de profundidad en el orificio del mango. Muévelo a la ubicación deseada. Gire el tornillo de bloqueo hacia la derecha para apretar.

3. INSERCIÓN Y EXTRACCIÓN DE LA BROCA DE PERFORACIÓN (NO SUMINISTRADA) (VER FIG. C)

Tenga cuidado de que la tapa de protección contra el polvo no se dañe al cambiar las herramientas.

- INSERTANDO:

Limpie y engrase ligeramente la broca antes de insertarla. Retire el manguito de bloqueo del soporte de broca (a) e inserte la broca libre de polvo en el soporte con un movimiento de torsión hasta que se cierre.

La broca se bloquea a sí misma. Compruebe el bloqueo tirando de la herramienta.

- PARA ELIMINAR:

Retire el manguito de bloqueo del soporte de broca (a) y extraerla.



ADVERTENCIA: Su nuevo martillo giratorio KRESS genera poderosas fuerzas para hacer su trabajo de forma rápida y eficaz. Estas fuerzas pueden hacer que los bits SDS de calidad inferior se rompan y se atasquen en el mandril. Por lo tanto, recomendamos que sólo se utilicen bits SDS de alta calidad con esta herramienta.

OPERACIÓN

1. INTERRUPTOR ENCENDIDO / APAGADO (VER FIG. D)

Presione el interruptor de encendido/apagado para iniciarlo y suéltelo para detener la herramienta.

2. CONTROL DE VELOCIDAD VARIABLE (VER FIG. E)

Con el control de velocidad variable, se puede seleccionar la velocidad requerida (también durante la ejecución).

La velocidad requerida depende del material y se determinará mediante un ensayo práctico.

3. MANIJA ANTI-VIBRACIÓN

El mango auxiliar que amortigua las vibraciones reduce las vibraciones, haciendo que la operación sea más cómoda y segura.

4. EXTRACCIÓN DEL POLVO (VER FIG. F)

Antes de perforar, coloque la cubierta antipolvo sobre la broca.



ADVERTENCIA: Siempre use protección para los ojos con esta herramienta.

5. SELECCIÓN DEL MODO DE FUNCIONAMIENTO (VER FIG. G)

El funcionamiento de la caja de cambios para cada aplicación se configura con el dial selector del modo de funciones. Para cambiar entre funciones, presione el botón de desbloqueo (a) y gire el selector al modo de operaciones deseado. (VER FIG. H)

NOTA: Después de girar a la posición requerida, mueva el dial selector hacia la izquierda o hacia la derecha un poco para verificar si el dial está bloqueado en su lugar.

	Modo para perforación simultánea e impacto de hormigón, mampostería.
	Modo para perforar en acero, madera y plásticos y plásticos
	Modo para cincelado
	Modo para ajustar el ángulo de sujeción del cincel NOTA: Seleccione este modo de función "DB" primero, ajuste el ángulo de sujeción a la dirección deseada. Luego seleccione el modo de función a "T", opere el trabajo de cincelado.

 **ADVERTENCIA:** El selector de modo de funcionamiento sólo se puede accionar en el punto muerto.

CONSEJOS DE TRABAJO PARA SU PULIDORA

1. Reduzca la presión sobre la broca cuando esté a punto de romperse. Esto evitará que el taladro se atasque.
2. Al perforar un agujero grande, primero perforo un agujero piloto con una broca más pequeña.
3. Siempre aplique presión a su broca en línea recta y, si es posible, en ángulo recto con la pieza de trabajo.
4. Nunca cambie el modo de funcionamiento mientras el martillo giratorio esté funcionando.
5. No aplique presión excesiva a la herramienta al cincelar. La fuerza expresa no acelera el trabajo.

MANTENGA LAS HERRAMIENTAS CON CUIDADO

Retire el enchufe de la toma de corriente antes de efectuar cualquier ajuste, reparación o mantenimiento.

Su herramienta eléctrica no requiere de lubricación ni mantenimiento adicional. No posee piezas en su interior que deban ser reparadas por el usuario. Nunca emplee agua o productos químicos para limpiar su herramienta. Use simplemente un paño seco. Guarde siempre su herramienta en un lugar seco. Mantenga limpias las ranuras de ventilación del motor. Mantenga todos los controles de funcionamiento libres de polvo.

Si el cable de alimentación está dañado deberá ser reemplazado por el fabricante, su agente de servicio o por alguna persona cualificada para evitar riesgos.

SOLUCIÓN DE PROBLEMAS

1. Si su herramienta eléctrica no arranca, primero verifique el enchufe de la fuente de alimentación.
2. Si su martillo se calienta demasiado al usarse, ajuste el interruptor del martillo al modo de perforación y permita que su taladro funcione a la velocidad máxima sin carga durante 2 minutos.
3. Si la eficiencia de trabajo de su martillo es demasiado baja, agregue suficiente lubricante en la caja de lubricantes.
4. Si su martillo se usa con baja eficiencia, verifique que si la herramienta está embotado.
5. Si no se puede corregir una falla, devuelva la herramienta a un distribuidor autorizado para su reparación.

PROTECCION AMBIENTAL



Los residuos de aparatos eléctricos y electrónicos no deben depositarse en la basura doméstica. Se deben reciclar en las instalaciones especializadas. Consulte a las autoridades locales o el establecimiento para saber cómo reciclar estos productos.

DECLARACIÓN DE CONFORMIDAD

Los que reciben,
POSITEC Germany GmbH
Postfach 32 02 16, 50796 Cologne, Germany

Declaran que el producto,
Descripción **Martillo rotatorio**
Modelo **DX27 (27- denominaciones de maquinaria, representantes de Martillo rotatorio)**Funciones **Martillando varios materiales**

Cumple con las siguientes Directivas,
2006/42/EC,
2014/30/EU,
2011/65/EU&(EU)2015/863

Cumple las normativas
EN 62841-1, EN IEC 62841-2-6, EN IEC 55014-1,
EN IEC 55014-2, EN IEC 61000-3-2, EN 61000-3-3

La persona autorizada para componer el archivo técnico,
Nombre Marcel Filz
Dirección POSITEC Germany GmbH Postfach 32 02 16, 50796 Cologne, Germany



2022/11/22
Allen Ding
Ingeniero Jefe Adjunto. Pruebas y Certificación.
Positec Technology (China) Co., Ltd
18, Dongwang Road, Suzhou Industrial
Park, Jiangsu 215123, P. R. China



ES

OORSPRONKELIJKE GEBRUIKSAANWIJZING PRODUCTVEILIGHEID ALGEMENE VEILIGHEIDSWAARSCHUWINGEN VOOR VERMOGENSMACHINE



WAARSCHUWING! Lees alle veiligheidswaarschuwingen, instructies, illustraties en specificaties die bij dit elektrisch gereedschap worden geleverd. Indien u zich niet aan alle onderstaande instructies houdt, kan dat leiden tot een elektrische schok, brand en/of ernstig letsel.

Bewaar alle waarschuwingen en instructies voor latere naslag.

De term "(elektrisch) gereedschap" in de waarschuwingen hieronder, verwijst naar uw op netspanning werkende gereedschap (met stroomdraad) of uw accugereedschap (draadloos).

1. WERKGEBIED

- a) Houd uw werkgebied schoon en zorg ervoor dat deze goed verlicht is. In rommelige en slecht verlichte werkgebieden gebeuren sneller ongelukken.
- b) Gebruik elektrisch gereedschap niet in explosieve atmosferen, zoals in de nabijheid van ontvlambare vloeistoffen, gassen of stof. Elektrisch gereedschap veroorzaakt vonken die de stof of de gassen kunnen doen ontvlammen.
- c) Houd kinderen en omstanders uit de buurt terwijl u met elektrisch gereedschap werkt. Aflleidingen kunnen ervoor zorgen dat u de controle over het gereedschap verliest.

2. ELEKTRISCHE VEILIGHEID

- a) De stekker van het elektrisch gereedschap moet passen in het stopcontact. Pas de stekker op geen enkele manier aan om te zorgen dat hij wel past. Gebruik geen adapterstekkers terwijl u geaard elektrisch gereedschap gebruikt. Onaangepaste stekkers die in het stopcontact passen, verminderen de kans op een elektrische schok.
- b) Vermijd lichamelijk contact met geaarde of gegronde oppervlakken, zoals buizen, radiatoren, fornuizen en koelkasten. Als uw lichaam geaard of geground is, is er een grotere kans op een elektrische schok.
- c) Stel uw elektrische gereedschap niet bloot aan regen of natte omstandigheden. Water dat elektrisch gereedschap kan binnendringen, vergroot de kans op een elektrische schok.
- d) Gebruik de stroomdraad niet op een andere manier dan waarvoor deze gemaakt is. Trek niet aan de stroomdraad, ook niet om de stekker uit het stopcontact te krijgen en draag het gereedschap niet door het aan de stroomdraad vast te houden. Houd de stroomdraad uit de buurt van hitte, olie, scherpe hoeken en bewegende onderdelen. Beschadigde of verwarde stroomdraden vergroten de kans op een elektrische schok.
- e) Wanneer u het elektrische gereedschap buitenshuis gebruikt, dient u te zorgen voor een verlengsnoer dat geschikt is voor gebruik buitenshuis. Het gebruik van een verlengsnoer dat geschikt is voor gebruik buitenshuis, vermindert de kans op een elektrische schok.
- f) Moet een krachtmachine in een vochtige locatie worden gebruikt, gebruik dan een aardlekschakelaar (ALS). Een ALS vermindert het gevaar op elektrische schokken.

3. PERSOONLIJKE VEILIGHEID

- a) Blijf alert, kijk waar u mee bezig bent en gebruik uw gezonde verstand wanneer u met elektrisch gereedschap werkt. Gebruik geen elektrisch gereedschap wanneer u moe bent of onder de invloed van drugs, alcohol of medicijnen. Een moment van onoplettendheid bij het gebruik van elektrisch gereedschap kan leiden tot ernstig persoonlijk letsel.
 - b) Gebruik een veiligheidsuitrusting. Draag altijd oogbescherming. Een veiligheidsuitrusting, zoals een stofmasker, schoenen met antislipzolen, een veiligheidshelm, of oorbescherming die onder de juiste omstandigheden gebruikt wordt, vermindert de kans op persoonlijk letsel.
 - c) Pas op dat het apparaat niet onbedoeld wordt gestart. Zorg ervoor dat de schakelaar uit staat voordat u de voeding en/of batterij aansluit, en als u de machine oppakt en draagt. Gereedschap dragen terwijl u uw vinger op de schakelaar houdt, of de stekker in het stopcontact steken terwijl het gereedschap ingeschakeld staat, is vragen om ongelukken.
 - d) Verwijder inbussleutels of moersleutels voordat u het gereedschap inschakelt. Een sleutel die nog in of op een draaiend onderdeel van het elektrische gereedschap zit, kan leiden tot ernstig persoonlijk letsel.
 - e) Werk niet boven uw macht. Zorg er altijd voor dat u stevig staat en goed in balans bent. Hierdoor hebt u betere controle over het gereedschap in onverwachte situaties.
 - f) Draag geschikte kleding. Draag geen loszittende kleding of sieraden. Houd uw haar, kleding en handschoenen uit de buurt van bewegende onderdelen. Loszittende kleding, sieraden of lang haar kan vast komen te zitten in bewegende onderdelen.
 - g) Wanneer er apparaten worden bijgeleverd voor stofafzuiging en –opvang, zorg er dan voor dat deze aangesloten zijn en op de juiste manier gebruikt worden. Het gebruik van deze apparaten vermindert de gevaren die door stof kunnen ontstaan.
 - h) Als u gereedschap veelvuldig gebruikt, dan kan dit leiden tot het negeren van de veiligheidsprincipes, probeer dit te vermijden. Een achteloze actie kan binnen een fractie van een seconde leiden tot ernstig letsel.
- ## 4. GEBUIK EN ONDERHOUD VAN ELEKTRISCH GEREEDSCHAP
- a) Forceer het gereedschap niet. Gebruik gereedschap dat voor de toepassing geschikt is. Het gebruik van geschikt gereedschap levert beter werk af en werkt veiliger als het gebruikt wordt op de snelheid waar het voor ontworpen is.
 - b) Gebruik het gereedschap niet wanneer de aan/uitschakelaar niet functioneert. Gereedschap dat niet kan worden bediend met behulp van de schakelaar is gevaarlijk en dient te worden gerepareerd.
 - c) Neem de stekker uit het stopcontact en/of verwijder de batterij voordat u instellingen verandert, toebehoren vervangt of de machine overgibt. Deze preventieve veiligheidsmaatregelen verminderen de kans op het ongewild inschakelen van het gereedschap.
 - d) Berg gereedschap dat niet gebruikt wordt buiten het bereik van kinderen op en laat personen die niet bekend zijn met het gereedschap of met deze veiligheidsinstructies het gereedschap niet bedienen. Elektrisch gereedschap kan in de handen van ongetrainde gebruikers gevaarlijk zijn.
 - e) Onderhoud elektrisch gereedschap op de juiste wijze. Controleer of bewegende onderdelen nog goed uitgelijnd staan, of ze niet ergens vastzitten en controleer op

elke andere omstandigheid die ervoor kan zorgen dat het gereedschap niet goed functioneert. Wanneer het gereedschap beschadigd is, dient u het te repareren voordat u het in gebruik neemt. Veel ongelukken worden veroorzaakt door slecht onderhouden elektrisch gereedschap.

- f) **Houd snijdend gereedschap schoon en scherp.** Goed onderhouden snijdend gereedschap met scherpe zaagbladen/messen zal minder snel vastlopen en is makkelijker te bedienen.
 - g) **Gebruik het gereedschap, de accessoires, de bitjes, enz. in overeenstemming met deze instructies en op de manier zoals bedoeld voor het specifieke type elektrisch gereedschap, rekening houdend met de werkomstandigheden en het uit te voeren werk.** Het gereedschap gebruiken voor andere doeleinden dan waar deze voor ontworpen is, kan gevaarlijke situaties opleveren.
 - h) **Houd de handgrepen en grijppoppervlakten droog, schoon en vrij van olie en smeermiddel.** Glibberige handgrepen en grijppoppervlakten laten geen veilige hantering toe, en zorgen ervoor dat u geen controle hebt over het gereedschap in onverwachte omstandigheden.
5. **SERVICE**
- a) **Laat uw elektrisch gereedschap repareren door een bevoegde reparateur die alleen originele reserveonderdelen gebruikt.** Zo bent u er zeker van dat uw gereedschap veilig blijft.

VEILIGHEIDSVOORSCHRIFTEN VOOR HAMERS

- 1) **Veiligheidsinstructies voor alle handelingen**
 - a) **Draag oorbescherming.** Blootstelling aan lawaai kan gehoorverlies veroorzaken.
 - b) **Gebruik de hulphandvatten die met het gereedschap zijn meegeleverd.** Controleverlies kan persoonlijke kwetsuur veroorzaken.
 - c) **Houd het gereedschap vast bij de geïsoleerde handvatten als u een actie onderneemt waarbij het priemende gereedschap in contact kan komen met verborgen kabels.** Contact met een kabel waar spanning op staat zet tevens spanning op metalen onderdelen van het apparaat en geeft de gebruiker een schok.
- 2) **Veiligheidsinstructies bij gebruik van lange boren met boorhamers**
 - a) **Begin altijd met boren op lage snelheid en met de bitpunt**

in contact met het werkstuk. Bij hogere snelheden zal het bit waarschijnlijk buigen als het vrij kan draaien zonder contact met het werkstuk, met persoonlijk letsel tot gevolg.

- b) **Oefen alleen druk uit in directe lijn met het bit en oefen geen overmatige druk uit.** Bits kunnen verbuigen, waardoor ze kunnen breken of de controle kunnen verliezen, wat kan leiden tot persoonlijk letsel.

AANVULLENDE VEILIGHEIDSVOORSCHRIFTEN VOOR HAMMER

- 1. **Draag een stofmasker.**

SYMBOLEN



Lees de gebruikershandleiding om het risico op letsels te beperken



Waarschuwing



Draag oorbescherming



Draag oogbescherming



Draag een stofmasker



Dubbele isolatie



Afgedankte elektrische producten mogen niet bij het normale huisafval terechtkomen. Breng deze producten waar mogelijk naar een recyclecentrum bij u in de buurt. Vraag de verkoper of de gemeente informatie en advies over het recyclen van elektrische apparatuur.

COMPONENTENLIJST

1. STOF BESCHERMING KAP
2. ONDERSTEUNINGSTOOL VOOR HET BLOKKEREN VAN DE HANDGREEP
3. DIEPE SCHAAL
4. FUNCTIEMODUS SELECTIEKNOPJES
5. SCHOKBESTENDIG HANDVAT
6. AAN / UIT SCHAKELAAR
7. VARIABELE SNELHEIDSREGELING
8. EXTRA HANDGREEP
9. STOFKAPPEN

Niet alle accessoires afgebeeld of omschreven worden opgenomen in de standaard levering.

TECHNISCHE GEGEVENS

Type DX27 (27 - aanduiding van machines, vertegenwoordiger van de roterende hamers)

		DX27
Spanning		220-240V-50/60Hz
Ingangsvermogen		1500W
Geen laadsnelheid		0-920 /min
Slagingspercentage		0-3700/min
Energie van inslag		5.0J
Klauwplaat typ		SDS-Plus
Max.boren capaciteit	Staal	13mm
	Metselwerk	32mm
	Hout	40mm
Beschermingsklasse		□/II
Machinegewicht		5.7kg

GELUIDSPRODUCTIE

A-gewogen geluidsdruk	L_{pA} : 93,3 dB (A)
K_{pA} =	3 dB(A)
A-gewogen geluidsvermogen	L_{wA} : 104,3 dB (A)
K_{wA} =	3 dB(A)
Draag oorbescherming	

TRILLINGSGEGEVENS

Totaal trillingsniveau volgens EN 62841:	
Hamerboren in beton	Trillingswaarde: a_{hp} = 8,35 m/s ²
	Fout K = 1.5 m/s ²
Beiteln	Trillingswaarde: a_{hv} = 7,68 m/s ²
	Fout K = 1.5 m/s ²

De opgegeven totale trillingswaarde en de opgegeven geluidsemisiewaarde zijn gemeten volgens een standaard testmethode en kunnen worden gebruikt om het ene gereedschap met het andere te vergelijken.

De opgegeven totale trillingswaarde en de opgegeven geluidsemisiewaarde kunnen ook worden gebruikt bij een voorlopige beoordeling van de blootstelling.



WAARSCHUWING: De trillings- en geluidsemisies tijdens het daadwerkelijke gebruik van het elektrisch gereedschap kunnen verschillen van de aangegeven waarde, afhankelijk van de manier waarop het gereedschap wordt gebruikt, met name het soort werkstuk dat wordt verwerkt, afhankelijk van de volgende voorbeelden en andere variaties op het gebruik van het gereedschap:

Hoe het gereedschap wordt gebruikt en welk materiaal wordt gesneden of geboord.

De conditie en de onderhoudstoestand van de machine.

Gebruik van de juiste toebehoren. Zorg ervoor dat ze scherp zijn en in goede conditie.

De wijze waarop de handvatten worden vastgehouden en het gebruik van toebehoren die trillingen verminderen.

De machine moet gebruik worden zoals door de ontwerper bedoeld is en in overeenstemming met deze instructies.

Deze machine kan een trillingsyndroom in hand en arm veroorzaken als hij niet op de juiste wijze gehanteerd wordt.



WAARSCHUWING: Om nauwkeurig te zijn, moet bij een schatting van het blootstellingsniveau in de werkelijke gebruiksomstandigheden ook rekening worden gehouden met alle onderdelen van de bedrijfscyclus, zoals het moment

dat de machine wordt uitgeschakeld en de tijden waarop de machine loopt zonder daadwerkelijk gebruikt te worden. Dit kan het blootstellingsniveau over de totale werkperiode aanzienlijk verminderen.

De blootstelling aan trillingen verminderen.

Gebruik ALTIJD scherpe beitels, boren en zaagbladen.

Onderhoud de machine volgens deze instructies en houd hem goed gesmeerd (voor zover van toepassing).

Wort de machine geregeld gebruikt, schaf dan toebehoren tegen trillingen aan.

Plan de werkzaamheden zodat de taken met veel trillingen over een aantal dagen verspreid worden.

ACCESSOIRE

Extra handgreep	1
Diepe schaal	1
Stofkappen	1

We raden u aan uw accessoires te kopen in dezelfde winkel die u de tool heeft verkocht. Zie de accessoire-verpakking voor meer informatie. Winkelpersoneel kan u helpen met advies.

BEDIENINGSINSTRUCTIES



Opmerking: Lees de handleiding zorgvuldig door voordat u het gereedschap gebruikt.

BEOOGDE GEBRUIK

Hamers voor boormachine, beton, baksteen en steen evenals voor de beitelwerk van licht. Het is ook geschikt voor het boren zonder aantasting van hout, metaal, keramiek en kunststof.

MONTAGE

1. INSTALLEER DE HULPGREEP (ZIE AFB. A)

Voor uw persoonlijke veiligheid adviseert u altijd om de hulpgreep te gebruiken.

Draai de handgreep van de hulpgreep in de tegenovergestelde richting met de klok mee om de draairing los Klemringen. Schuif de Klemringen over de hulpgreep op de hamerhals en draai de kraaggreep om totdat het handvat zich in de gewenste werkpositie bevindt. Draai de handgreep met de klok mee om de hulpgreep op zijn plaats te draaien.



WAARSCHUWING: Tijdens gebruik moet een extra handgreep worden gebruikt.

2. DIEPTESCHAAL INSTALLATIE (ZIE AFB. B)

De diepteschaal kan worden gebruikt om een constante diepte te hameren definiëren.

Draai de vergrendelings Schroef (a) in de bovenkant van de hulpgreep in de tegenovergestelde richting in de richting met de klok mee die moet worden afgezet, steek de dieptemeter in de tilband van het handvat. Stel het in op de gewenste diepte. Draai de slotschroef met de klok mee om aan te draaien.

3. NVOEGEN EN VERWIJDEREN BOORBEITELS (NIET MEEGELEVERD) (ZIE AFB. C)

Pas op dat u de stofkap niet beschadigt bij het wisselen van gereedschap.

- INBRENGEN

Reinig en olie de boor alvorens deze in te brengen. Trek de gereedschapshouder borghuls en plaats de boor stofvrij in de gereedschapshouder met een draaiende beweging wordt vergrendeld.

De boor vergrendelt zichzelf. Controleer de vergrendeling door aan het gereedschap te trekken.

- VERWIJDERING

Trek de gereedschapshouder borghuls en verwijder de boor.



WAARSCHUWING: Uw nieuwe roterende hamers genereert sterke krachten om hun werk snel en effectief te doen. Deze krachten kunnen ertoe leiden dat inferieure SDS-bits breken en vastlopen in de boorkop. Daarom raden we aan dat deze tool alleen hoogwaardige SDS-bits gebruikt.

FUNCTIONEERT

1. AAN / UIT SCHAKELAAR (ZIE AFB. D)

Druk op de aan / uitknop om te starten en laat hem los om het gereedschap te stoppen.

2. VARIABELE-SNELHEIDSREGELAARS (ZIE AFB. E)

Met variabele snelheid, kan kiezen voor de gewenste snelheid (zelfs wanneer ze liep).

De gewenste snelheid is afhankelijk van het materiaal en moet worden bepaald door een praktische test.

3. SCHOKBESTENDIG HANDVAT

Anti-vibratie handgrepen verminderen trillingen, waardoor de werking comfortabeler en veiliger wordt.

4. STOFKAPPEN (ZIE AFB. F)

Vóór het boren plaats de stofkappen op de boorbeitels.

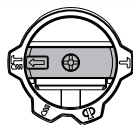


WAARSCHUWING: Draag altijd oogbescherming met deze gereedschap.

5. FUNCTIEMODUS SELECTIE (ZIE AFB. G)

De versnellingsbak voor elke toepassing wordt gedefinieerd door de modusselectiefunctie. Als u tussen functies wilt schakelen, drukt u op de ontgrendelknop (b) en draait u de wijzerplaat naar de gewenste bedrijfsmodus.

OPMERKING: Nadat u in de gewenste positie hebt gedraaid, verplaatst u de kiezer naar links of rechts om te controleren of het scherm op zijn plaats is vergrendeld.



Boren mode en gelijktijdige impact van beton, Metselwerk

	Modus voor of boren in staal, hout en kunststof
	Wijze voor beetelwerk
	Modus voor het aanpassen van de boorkop van het beetelen OPMERKING: Selecteer eerst deze functiemodus "  " en pas de boorkophoek in de gewenste richting aan. Selecteer vervolgens de functiemodus in "  ", doe het beetelwerk.

 **WAARSCHUWING: De werkingskeuzeschakelaar kan alleen in stilstand worden gebruikt.**

WERKEN HINTS VOOR UW GEREEDSCHAP

1. Verminder de druk op de boorbeitels u op het punt staat binnen te komen. Dit voorkomt dat de boor vast komt te zitten.
2. Bij het boren van een groot gat, maak eerst een pilot gat met behulp van een kleine boorbeitels.
3. Altijd druk uitoefenen in de rechte boorbeitels en, indien mogelijk, rechts angulores het werkstuk.
4. Verander nooit de manier waarop het werkt terwijl de roterende hamer draait.
5. Gebruik geen overmatige druk op het gereedschap beetelwerk. Expressieve kracht versnelt het werk niet.

ONDERHOUD

Trek de voedingskabel uit de aansluiting voordat u eventuele aanpassingen, reparaties of onderhoud uitvoert.

Dit elektrische gereedschap hoeft niet extra gesmeerd of onderhouden te worden. Dit gereedschap bevat geen onderdelen waaraan de gebruiker onderhoud kan of moet uitvoeren. Gebruik nooit water of chemische reinigingsmiddelen voor het schoonmaken van uw elektrische gereedschap. Veeg het schoon met een droge doek. Bewaar uw elektrische gereedschap altijd op een droge plek. Houd de ventilatiegaten van de motor schoon. Houd alle bedieningselementen vrij van stof.

Is de voedingskabel beschadigd, dan moet hij, om risico te voorkomen, worden vervangen door de fabrikant, zijn vertegenwoordiger of een ander bevoegd persoon.

PROBLEEMOPLOSSING

1. Als uw elektrisch gereedschap niet start, controleert u de stekker de krachtbron eerst.
2. Als de hamer te heet wordt, plaatst u de schakelaar in de percussieboormodus en laat u de boor op maximale snelheid draaien zonder 2 minuten op te laden.

3. Als hamer werkefficiëntie ook laag is, voeg dan genoeg vet toe aan de vetvanger.
4. Als uw hamer gebruikt in een laag rendement, controleer, dan alstublieft als het gereedschap saai is.
5. Als een defect niet kan worden verholpen, moet u het gereedschap geautoriseerde dealer voor reparatie.

BESCHERMING VAN HET MILIEU



Afgedankte elektrische producten mogen niet bij het normale huisafval terechtkomen. Breng deze producten waar mogelijk naar een recyclecentrum bij u in de buurt. Vraag de verkoper of de gemeente informatie en advies over het recyclen van elektrische apparatuur.

CONFORMITEITVERKLARING

Wij,
POSITEC Germany GmbH
Postfach 32 02 16, 50796 Cologne, Germany

Verklaren dat het product,
Beschrijving **Boorhamer**
Type **DX27 (27-aanduiding van machinerie, kenmerkend voor Boorhamer)**
Functie **Verskillende materialen hameren**

Overeenkomt met de volgende richtlijnen:

2006/42/EC,
2014/30/EU,
2011/65/EU&(EU)2015/863

Normen voldoen aan,
EN 62841-1, EN IEC 62841-2-6, EN IEC 55014-1,
EN IEC 55014-2, EN IEC 61000-3-2, EN 61000-3-3

De persoon die bevoegd is om het technische bestand te compileren,

Naam Marcel Filz
Adres POSITEC Germany GmbH Postfach 32 02 16, 50796 Cologne, Germany



2022/11/22
Allen Ding
Plaatsvervangend Chief Ingenieur,
Testen en Certificering
Positec Technology (China) Co., Ltd
18, Dongwang Road, Suzhou Industrial
Park, Jiangsou 215123, P. R. China

MANUAL ORIGINAL

SEGURANÇA DO PRODUTO

AVISOS GERAIS DE SEGURANÇA DE FERRAMENTAS ELÉCTRICAS



ATENÇÃO! Leia todos os avisos de segurança, instruções, ilustrações e especificações fornecidas com esta ferramenta eléctrica. A não observância destas instruções pode causar choque eléctrico, incêndio e/ou lesões graves.

Guarde estas instruções para referência futura.

Os termos “ferramenta eléctrica” utilizados em todos os avisos constantes destas instruções referem-se à sua ferramenta eléctrica accionada por corrente eléctrica (com cabo de alimentação) ou ferramenta eléctrica accionada por bateria (sem cabo de alimentação).

1) LOCAL DE TRABALHO

- Mantenha o local de trabalho limpo e bem arrumado. Áreas com pouca iluminação e desordenadas podem provocar acidentes.
- Não utilize o aparelho em locais onde existam líquidos, gases ou poeiras inflamáveis e onde exista o risco de explosão. As ferramentas eléctricas produzem faíscas que podem inflamar poeiras ou gases.
- Mantenha as pessoas e particularmente as crianças afastadas da ferramenta eléctrica durante o seu funcionamento. Qualquer distração pode fazê-lo perder o controlo do berbequim.

2) SEGURANÇA ELÉCTRICA

- A ficha do berbequim deve encaixar bem na tomada de alimentação. Nunca modifique fichas, seja de que maneira for. Não utilize nenhuma ficha de adaptação com ferramentas eléctricas que tenham ligação à terra. Fichas não modificadas e tomadas de corrente adequadas reduzem o risco de choque eléctrico.
- Evite o contacto do corpo com superfícies ligadas à terra como tubos, aquecedores, fogões e frigoríficos. Existe um aumento do risco de choque eléctrico se o seu corpo estiver em contacto com a terra ou a massa.
- Não exponha este equipamento à chuva ou humidade. A infiltração de água num aparelho eléctrico aumenta o risco de choque eléctrico.
- Não maltrate o cabo de alimentação. Nunca utilize o cabo para transportar, puxar ou desligar o aparelho da tomada de corrente. Mantenha o cabo afastado de fontes de calor, óleos, arestas afiadas ou peças em movimento. Cabos danificados ou enredados aumentam o risco de choque eléctrico.
- Quando trabalhar com uma ferramenta eléctrica ao ar livre, use um cabo de extensão adequado para utilização no exterior. A utilização de um cabo adequado para uso exterior reduz o risco de choque eléctrico.
- Se não puder evitar a utilização de uma ferramenta eléctrica num local húmido, utilize uma fonte de alimentação protegida contra corrente residual. A utilização de um dispositivo com protecção contra corrente residual reduz o risco de choque eléctrico.

3) SEGURANÇA DE PESSOAS

- Esteja atento, observe o que está a fazer e seja prudente sempre que trabalhar com uma ferramenta eléctrica. Não utilize nunca uma ferramenta eléctrica quando

estiver cansado ou sob a influência de drogas, álcool ou medicamentos. Um momento de desatenção quando se utiliza uma ferramenta eléctrica pode causar lesões graves.

- Utilize equipamentos de segurança. Use sempre óculos de protecção. Equipamentos de segurança, tais como máscaras protectoras, sapatos de sola antiderrapante, capacetes ou protecções auriculares devidamente utilizados reduzem o risco de lesões.
 - Evite o arranque accidental da ferramenta. Certifique-se de que o comutador de alimentação está desligado antes de ligar a ferramenta à fonte de alimentação e/ou à bateria, antes de pegar nela ou antes de a transportar. Se mantiver o dedo no interruptor ou accionar o aparelho enquanto este estiver ligado podem ocorrer acidentes.
 - Remova quaisquer chaves de ajuste ou de porcas antes de ligar a ferramenta eléctrica. Chaves de porcas ou de ajuste fixadas a peças móveis do berbequim podem causar lesões.
 - Não exceda as suas próprias capacidades. Mantenha sempre o corpo em posição firme e de equilíbrio, o que lhe permite controlar melhor a ferramenta eléctrica em situações imprevistas.
 - Use roupa apropriada. Não use vestuário solto ou artigos de joalharia. Mantenha o cabelo, vestuário e luvas afastados de peças em movimento. Roupas soltas, artigos de joalharia ou cabelos compridos podem ser agarrados por peças em movimento.
 - Se forem fornecidos dispositivos para a montagem de unidades de extracção ou recolha de resíduos, assegure-se de que são montados e utilizados adequadamente. A utilização destes dispositivos pode reduzir os perigos relacionados com a presença de resíduos.
 - Não permita que a familiaridade obtida do uso frequente de ferramentas o tornem complacente o faça ignorar os princípios de segurança da ferramenta. Uma ação descuidada pode causar lesões graves numa fração de segundo.
- #### 4) UTILIZAÇÃO E MANUTENÇÃO DA FERRAMENTA ELÉCTRICA
- Não force a ferramenta. Utilize a ferramenta eléctrica apropriada para cada aplicação. A utilização da ferramenta eléctrica apropriada executa o trabalho de forma melhor e mais segura, à velocidade para a qual foi concebida.
 - Não utilize esta ferramenta se o interruptor estiver deficiente, não ligando ou desligando. Qualquer ferramenta eléctrica que não possa ser controlada pelo interruptor é perigosa e deve ser reparada.
 - Desligue a ficha da fonte de alimentação e/ou remova a bateria da ferramenta antes de proceder a quaisquer ajustes, antes de mudar de acessórios ou antes de guardar a ferramenta. Estas medidas de segurança preventivas reduzem o risco de activação accidental da ferramenta.
 - Quando não estiver a usar a ferramenta eléctrica, guarde-a fora do alcance das crianças e não deixe que esta seja utilizada por pessoas que não a conheçam, nem tenham lido as instruções. As ferramentas eléctricas são perigosas nas mãos de utilizadores inexperientes.
 - Faça a manutenção de ferramentas eléctricas. Verifique quaisquer desalinhamentos, encaixes de peças móveis, quebras e outras condições que possam afectar o funcionamento. Se esta ferramenta estiver avariada, mande-a reparar antes de utilizar. Muitos acidentes são

causados pela manutenção deficiente de ferramentas eléctricas.

- f) **Mantenha as ferramentas de corte limpas e afiadas.** As ferramentas de corte com manutenção adequada e arestas de corte afiadas têm menos probabilidades bloquear e são mais fáceis de controlar.
- g) **Utilize a ferramenta eléctrica, acessórios, brocas, etc. em conformidade com estas instruções e da forma prevista para este tipo específico de ferramenta, tendo em conta as condições presentes e o trabalho a executar.** A utilização de ferramentas eléctricas para aplicações diferentes daquelas a que se destinam pode levar a situações de perigo.
- h) **Mantenha as pegas e as superfícies de aderência secas, limpas e sem óleo e massa lubrificante.** As pegas e superfícies de aderência escorregadias não permitem o manuseamento e controlo seguros da ferramenta em situações inesperadas.
- 5) **ASSISTÊNCIA TÉCNICA**
- a) **A sua ferramenta eléctrica só deve ser reparada por um técnico de assistência qualificado e devem ser apenas utilizadas peças de substituição genuínas, mantendo assim a segurança da ferramenta.**

AVISOS DE SEGURANÇA DO MARTELO

- 1) **Instruções de segurança para todas as operações**
- a) **Use protetores auriculares.** A exposição ao barulho pode causar perda de audição.
- b) **Use as pegas auxiliares fornecidas com a ferramenta.** A perda de controlo pode causar danos pessoais.
- c) **Segure a ferramenta agarrando as superfícies isoladas ao executar uma operação onde a ferramenta cortante pode entrar em contacto com fios eléctricos escondidos ou com o seu próprio cabo eléctrico.** O contacto com um fio com corrente fará com que as peças de metal expostas da ferramenta fiquem com corrente e dêem choque ao operador.
- 2) **Instruções de segurança ao usar brocas longas com martelos rotativos**

- a) **Sempre comece a furar em baixa velocidade e com a ponta da broca em contacto com a peça de trabalho.** Em velocidades mais altas, a broca provavelmente dobrará se girar livremente sem entrar em contacto com a peça de trabalho, resultando em ferimentos pessoais.
- b) **Aplique pressão apenas em linha direta com a broca e não aplique pressão excessiva.** As brocas podem dobrar, causando quebra ou perda de controle, resultando em ferimentos pessoais.

REGRAS DE SEGURANÇA ADICIONAIS PARA MARTELO

1. Usar máscara contra o pó.

SÍMBOLOS



Para reduzir o risco de ferimentos o utilizador deve ler o manual de instruções



Atenção



Usar protecção para os ouvidos



Usar protecção ocular



Usar máscara contra o pó



Duplo isolamento



Os equipamentos eléctricos não devem ser depositados com o lixo doméstico. Se existirem instalações adequadas deve reciclá-los. Consulte a sua autoridade local para tratamento de lixos ou fornecedor para obter aconselhamento sobre reciclagem.

LISTA DE COMPONENTES

1. TAMPA DE PROTEÇÃO CONTRA POEIRA
2. MANGA DE TRAVAMENTO DO SUPORTE DA FERRAMENTA
3. MEDIDOR DE PROFUNDIDADE
4. DISCAGEM DO SELETOR DE MODO DE FUNÇÃO
5. ALÇA ANTI-VIBRAÇÃO
6. INTERRUPTOR LIGAR/DESLIGAR
7. CONTROLE DE VELOCIDADE VARIÁVEL
8. ALÇA AUXILIAR
9. COBERTURA CONTRA POEIRA

Nem todos os acessórios ilustrados ou descritos estão incluídos na entrega padrão.

DADOS TÉCNICOS

Designação de tipo DX27 (27 - designação de máquina, representativo do martelo rotativo)

		DX27
Voltagem		220-240V~50/60Hz
Entrada de energia		1500W
Sem velocidade de carga		0-920 /min
Taxa de impacto		0-3700/min
Energia impactante		5.0J
Tipo de mandril		SDS-Plus
Máx. capacidade de perfuração	Aço	13mm
	Alvenaria	32mm
	Madeira	40mm
Classe de proteção		□ /II
Peso da máquina		5.7kg

DADOS SOBRE RUÍDOS E VIBRAÇÕES

Pressão de som avaliada	L_{pA} : 93,3 dB (A)
K_{pA} =	3 dB(A)
Potência de som avaliada	L_{wA} : 104,3 dB (A)
K_{wA} =	3 dB(A)
Usar protecção para os ouvidos.	

PT

INFORMAÇÃO DE VIBRAÇÃO

Os valores totais de vibração são determinados de acordo com a normativa EN 62841:	
Perfuração com martelo em betão	Valor da emissão da vibração: $a_{h,p} = 8,35 \text{ m/s}^2$
	Instabilidade K = 1.5 m/s ²
Cinzelamento	Valor da emissão da vibração: $a_{h,p} = 7,68 \text{ m/s}^2$
	Instabilidade K = 1.5 m/s ²

O valor total de vibração declarado e o valor de emissão de ruído declarado foram medidos de acordo com um método de teste padrão e podem ser usados para comparar uma ferramenta com outra.

O valor total de vibração declarado e o valor de emissão de ruído declarado também podem ser usados em uma avaliação preliminar da exposição.



Aviso: As emissões de vibração e ruído durante o uso real da ferramenta elétrica podem diferir do valor declarado dependendo da forma como a ferramenta é usada, especialmente que tipo de peça é processada, dependendo dos seguintes exemplos e outras variações de como a ferramenta é usada:

O modo como a ferramenta é utilizada, os materiais a cortar ou perfurar.

A ferramenta estar em boas condições e bem conservada.

A utilização do acessório correcto para a ferramenta e a garantia de que está afiada e em boas condições.

A firmeza com que se segura nas pegas e se quaisquer acessórios vibratórios são utilizados

Se a ferramenta é utilizada para o objectivo para a qual foi concebida e segundo as instruções.

Esta ferramenta pode causar síndrome de vibração mão-braço, se não for adequadamente utilizada.



Aviso: Para ser preciso, uma estimativa do nível de exposição nas condições reais de uso também deve levar em consideração todas as partes do ciclo de operação, como os momentos em que a ferramenta é desligada e quando está ociosa, mas não está realmente fazendo o trabalho. Isso pode reduzir significativamente o nível de exposição durante todo o período de trabalho.

Como minimizar o seu risco de

Utilize SEMPRE formões, brocas e lâminas afiadas.

Mantenha esta ferramenta de acordo com as instruções e bem lubrificada (quando aplicável)

Se a ferramenta for utilizada regularmente, invista em acessórios anti-vibração.

Planeie o seu horário de trabalho de forma a distribuir a utilização de ferramentas de alta vibração ao longo de vários dias.

ACESSÓRIOS

Alça auxiliar	1
Medidor de profundidade	1
Cobertura contra poeira	1

Recomendamos que você compre seus acessórios na mesma loja que vendeu a ferramenta. Consulte a embalagem dos acessórios para mais detalhes. O pessoal da loja pode ajudá-lo e oferecer conselhos.

INSTRUÇÕES SOBRE OPERAÇÃO



NOTA: Antes de usar a ferramenta, leia o livro de instruções cuidadosamente.

USO PRETENDIDO

A máquina é destinada à perfuração de martelos em concreto, tijolo e pedra, bem como para trabalhos de cinzelamento leve. Também é adequado para perfurar sem impacto em madeira, metal, cerâmica e plástico.

MONTAGEM

1. INSTALANDO O PUNHO AUXILIAR (VEJA FIG. A)

Para sua segurança pessoal, recomendamos o uso da alça auxiliar no tempo todo.

Gire a alça da alça auxiliar no sentido anti-horário para afrouxar o anel de aperto. Deslize o anel de aperto da alça auxiliar sobre o colar da alça do martelo e gire a alça ao redor da colar até que a alça esteja na posição de trabalho desejada. Gire a alça no sentido horário para apertar a alça auxiliar no lugar.



AVISO: A alça auxiliar deve ser usada durante a operação.

2. INSTALLANDO A ALÇA AUXILIAR (VER FIG. B)

O medidor de profundidade pode ser usado para definir uma profundidade constante para martelar.

Gire o parafuso de travamento (a) na parte superior da alça auxiliar no sentido anti-horário para soltar, insira o medidor de profundidade no orifício da alça. Ajuste-a para a profundidade desejada. Gire o parafuso de travamento no sentido horário para apertar.

3. INSERÇÃO E REMOÇÃO DA BROCA (NÃO FORNECIDA) (VEJA A FIG. C)

Cuidado para não danificar a tampa de proteção contra poeira ao trocar as ferramentas.

- INSERÇÃO:

Limpe e lubrifique levemente a broca antes de inseri-la. Recue a manga de travamento do suporte da ferramenta e insira a broca livre de poeira no suporte da ferramenta com um movimento de torção até ele travado.

A broca se trava. Verifique o travamento puxando a ferramenta.

- REMOÇÃO:

Recolha a manga de travamento do suporte da broca e retire a broca.



AVISO: Seu novo martelo rotativo gera forças poderosas para realizar seu trabalho com rapidez e eficácia. Essas forças podem fazer com que as brocas SDS de qualidade inferior quebrem e atolem no mandril. Portanto, recomendamos que apenas as brocas SDS de alta qualidade sejam usadas com esta ferramenta.

OPERAÇÃO

1. INTERRUPTOR LIGAR / DESLIGAR (VER FIG. D)

Pressione o botão liga/desliga para iniciar e solte-o para parar sua ferramenta.

2. CONTROLE DE VELOCIDADE VARIÁVEL (VER FIG. E)

Com o controle de velocidade variável, a velocidade necessária pode ser selecionada (também durante a execução). A velocidade necessária depende do material e deve ser determinada por um teste prático.

3. ALÇA ANTI-VIBRAÇÃO

A alça anti-vibração reduz a vibração, tornando a operação mais confortável e segura.

4. TAMPA CONTRA POEIRA (VER FIG. F)

Antes de perfurar, coloque a tampa contra poeira sobre a broca.



AVISO: Sempre use proteção para os olhos com esta ferramenta.

5. SELEÇÃO DO MODO DE FUNÇÃO (VER FIG. G)

O funcionamento da caixa de velocidades para cada aplicação é definido com o seletor de modo de função. Para alternar entre funções, pressione o botão de desbloqueio (b) e gire o disco seletor para o modo de operação desejado.

NOTA: Depois de girar para a posição desejada, mova o seletor para a esquerda ou direita um pouco para verificar se o seletor está travado no lugar.

	Modo para perfuração e impacto simultâneos de concreto, Alvenaria
	Modo para ou perfurar aço, madeira e plásticos e plásticos
	Modo para ou cinzelar
	Modo para ajustar o ângulo do mandril de cinzelar NOTA: Selecione este modo de função "⚙" primeiro, ajuste o ângulo do mandril para a direção desejada. Em seguida, selecione o modo de função para "⚡", opere o trabalho de cinzelar.



AVISO: O seletor de modo de operação pode ser acionado apenas parado.

DICAS DE TRABALHO PARA SUA FERRAMENTA

1. Reduza a pressão na broca quando ela estiver prestes a romper. Isso impedirá que a broca atole.
2. Ao perfurar um furo grande, primeiro faça um furo piloto usando uma broca menor.
3. Sempre aplique pressão na sua broca em linha reta e, se possível, perpendicularmente à peça de trabalho.
4. Nunca mude o modo de operação enquanto o martelo rotativo estiver em funcionamento.
5. Não aplique pressão excessiva na ferramenta ao cinzelar. A força expressiva não acelera o trabalho

MANUTENÇÃO

Retire o cabo de alimentação da tomada antes de efectuar quaisquer ajustamentos, reparações ou manutenção.

A sua ferramenta não requer qualquer lubrificação ou manutenção adicional.

Na sua ferramenta eléctrica, não existem componentes susceptíveis de serem substituídos pelo utilizador. Nunca utilize água ou produtos químicos para limpar a sua ferramenta. Limpe-a com um pano macio e seco. Guarde sempre a sua ferramenta num local seco. Mantenha as ranhuras de ventilação do motor devidamente limpas.

Se o cabo de alimentação estiver danificado, este deve ser substituído pelo fabricante, seu agente autorizado ou pessoal técnico qualificado para evitar qualquer situação de perigo.

SOLUÇÃO DE PROBLEMAS

1. Se sua ferramenta eléctrica não iniciar, verifique o plugue em a fonte de alimentação primeiro.
2. Se o seu martelo ficar muito quente em uso, coloque o interruptor do martelo no modo de perfuração e permita que a broca opere na velocidade máxima sem carga por 2 minutos.
3. Se a eficiência de seu martelo for muito baixa, adicione graxa suficiente na caixa de graxa.
4. Se o seu martelo usar com baixa eficiência, verifique se a ferramenta é embotado.
5. Se uma falha não puder ser corrigida, devolva a ferramenta a um revendedor autorizado para reparo.

PROTECÇÃO AMBIENTAL



Os equipamentos eléctricos não devem ser depositados com o lixo doméstico. Se existirem instalações adequadas deve reciclá-los. Consulte a sua autoridade local para tratamento de lixos ou fornecedor para obter aconselhamento sobre reciclagem.

DECLARAÇÃO DE CONFORMIDADE

Nós,
POSITEC Germany GmbH
Postfach 32 02 16, 50796 Cologne, Germany

declaramos que o produto
Descrição **Martelo rotativo**
Tipo **DX27 (27-designação de máquinas, representantes do Martelo Rotativo)**
Função **martelamento de vários materiais**

Cumpre as seguintes Directivas:
2006/42/EC,
2014/30/EU,
2011/65/EU&(EU)2015/863

Normas em conformidade com:
EN 62841-1, EN IEC 62841-2-6, EN IEC 55014-1,
EN IEC 55014-2, EN IEC 61000-3-2, EN 61000-3-3

Pessoa autorizada a compilar o ficheiro técnico,
Nome Marcel Filz
Endereço POSITEC Germany GmbH Postfach 32 02 16, 50796 Cologne, Germany



2022/11/22
Allen Ding
Engenheiro-chefe adjunto,
Teste e Certificação
Positec Technology (China) Co., Ltd
18, Dongwang Road, Suzhou Industrial
Park, Jiangsu 215123, P. R. China

BRUKSANVISNING I ORIGINAL GENERELLA SÄKERHETSVARNINGAR FÖR ELVERKTYG

 **VARNING!** Läs alla instruktioner. Följs inte alla nedanstående instruktioner kan det leda till elektriska stötar, brand och/eller allvarliga skador.

Spara alla varningar och instruktioner för framtida bruk.

Termene "strömförande verktyg" i alla varningsmeddelande nedan avser ditt (sladdverktyg) strömförande verktyg eller batteridrivna (sladdlösa) strömförande verktyg.

1. ARBETSOMRÅDET

- Håll arbetsområdet rent och väl upplyst.** *Skräpiga och mörka områden är skaderisker.*
- Använd inte strömförande verktyg i explosiva miljöer, som nära brandfarliga vätskor, gaser eller damm.** *Strömförande verktyg skapar gnistor som kan antända damm eller ångor.*
- Håll barn och isklädare borta när du använder ett strömförande verktyg.** *Distractioner kan göra att du förlorar kontrollen.*

2. ELSÄKERHET

- Stickkontaktarna till verktyget måste matcha eluttaget.** *Modifiera inte stickkontakten på något sätt. Använd inte adapterkontakter i samband med jordade strömförande verktyg. Omodifierade stickkontakter och matchande eluttag minskar risken för elstötar.*
- Undvik kroppskontakt med jordade ytor som rör, element, spisar och kylskåp.** *Det finns en större risk för elstötar om din kropp är jordad.*
- Exponera inte strömförande verktyg för regn eller fuktiga förhållanden.** *Kommer det in vatten i ett strömförande verktyg ökar det risken för elstötar.*
- Missbruka inte sladden. Använd aldrig sladden för att bära, dra eller dra ut stickkontakten för det strömförande verktyget.** *Håll sladden borta från hetta, olja, skarpa kanter eller rörliga delar. Skadade eller tilltrasslade sladdar ökar risken för elstötar.*
- När du använder ett strömförande verktyg utomhus använder du en förlängningssladd som lämpar sig för utomhus bruk.** *Använder du en sladd för utomhus bruk reducerar du risken för elstötar.*
- Om det inte går att undvika att driva ett elverktyg i en fuktig lokal, använd då en restströmsskyddad (RCD) strömtilförselanordning.** *Användning av en RCD minskar risken för elektriska stötar.*

3. PERSONLIG SÄKERHET

- Var uppmärksam, håll ögonen på vad du gör och använd sunt förnuft när du använder ett strömförande verktyg.** *Använd inte ett strömförande verktyg när du är trött eller påverkad av droger, alkohol eller läkemedel. En kort stund av ouppmärksamhet med strömförande verktyg kan resultera i allvarliga personskador.*
- Använd säker utrustning. Använd alltid skyddsglasögon.** *Säkerhetsutrustning som munskydd, halkfria skor, skyddshjälm eller hörselskydd som används när det behövs kommer att reducera personskador.*
- Förhindra ofrivillig start. Se till att kontakten är i off-läge innan du ansluter till strömkälla och/eller batterienhet, tar upp eller bär med dig verktyget.** *Bär du strömförande verktyg med fingret på kontakten eller sätter i stickkontakten i elluttaget när kontakten är i PL-läge utgör det en skaderisk.*
- Ta bort alla skiftnycklar eller skruvnycklar innan du sätter på**

det strömförande verktyget. *En skift- eller skruvnyckel som lämnas kvar på en roterande del på ett strömförande verktyg kan orsaka personskador.*

- Sträck dig inte för långt. Bibehåll alltid fotfästet och balansen.** *Detta gör att du kan kontrollera verktyget bättre i oväntade situationer.*
 - Klä dig rätt. Använd inte löst sittande kläder eller smycken. Håll ditt hår, dina kläder och handskar borta från rörliga delar.** *Lösa kläder, smycket eller långt hår kan snärjas in i rörliga delar.*
 - Om det på enheterna finns anslutning för dammsug och dammupsamling ser du till att de är anslutna och används korrekt.** *Använder du dessa anordningar reducerar det dammrelaterade faror.*
 - Låt inte förtrogenhet uppnås genom frekvent användning av verktyg låter dig bli självbelåten och ignorera verktygets säkerhetsprinciper.** *En slarvig åtgärd kan orsaka allvarliga skador inom en bråkdel av en sekund.*
- ## 4. ANVÄNDNING OCH UNDERHÅLL AV STRÖMFÖRANDE VERKTYG
- Forcera inte det strömförande verktyget. Använd korrekt verktyg för arbetet.** *Det korrekta verktyget kommer att göra jobbet bättre och säkrare med den hastighet den tillverkats för.*
 - Använd inte verktyget om kontakten inte sätter på eller stänger av det.** *Alla strömförande verktyg som inte kan kontrolleras med kontakten är farliga och måste repareras.*
 - Koppla från stickkontakten från strömkällan och/eller batterienheten från elverktyget innan du utför några justeringar, ändrar i tillbehören eller magasinerar elverktygen.** *Sådana förebyggande säkerhetsåtgärder reducerar risken för att du startar verktyget oavsiktligt.*
 - Förvara verktyget som inte används utom räckhåll för barn och låt inte någon person använda verktyget som inte känner till verktyget eller dessa anvisningar.** *Strömförande verktyg är farliga i händerna på utbildade användare.*
 - Utför underhåll på verktygen. Kontrollera inriktningen eller fästet för rörliga delar, defekta delar och alla andra saker som kan påverka användningen av elverktyget.** *Om den skadats måste elverktyget repareras före användning. Många olyckor orsakas av felaktigt underhållna elverktyg.*
 - Håll sig verktyget skarpa och rena.** *Korrekt underhållna skärverktyg med skarpa egg kommer inte att köra fast lika ofta och är enklare att kontrollera.*
 - Använd elverktyget, tillbehören och verktygsbitsen etc. i enlighet med dessa anvisningar och på det sätt som avsetts för varje typ av elverktyg. Ha också i åtanke arbetsförhållandena och arbetet som skall utföras.** *Använder du elverktyg för åtgärder som skiljer sig det avsedda arbetet kan det resultera i riskfyllda situationer.*
 - Håll handtag och greppytorna torra, rena och fri från olja och fett.** *Halta handtag och greppytorna tillåter inte säker hantering och kontroll av verktyget i oväntade situationer.*

5. UNDERHÅLL

- Låt ditt elverktyg underhållas av en kvalificerad reparatör som bara använder äkta reservdelar.** *Det kommer att garantera att elverktygets säkerhet bibehålls.*

VERKTYGETS SÄKERHETSVARNINGAR

- Använd hörselskydd.** *Buller kan orsaka hörselskador.*
- Använd hjälphandtag som följde med verktyget.** *Om du förlorar kontrollen över verktyget kan det medföra personskador.*

- Håll verktyget med isolerade greppytor när du utför ett arbete där sågverket kan komma i kontakt med dolda sladdar eller sin egen sladd. Kommer man i kontakt med en strömförande sladd kommer det att leda in ström i verktygets metalldelar och ge användaren en elchock.
- Använd skyddsmask mot damm.



Använd hörselskydd



Använd skyddsglasögon



Använd skyddsmask

SYMBOLER



För att minska risken för skador måste användaren läsa bruksanvisningen!



Varning



Dubbel isolering



Uttjänade elektriska maskiner får inte kasseras som hushållsavfall. Använd återvinningsfaciliteter om det finns tillgängligt. Kontrollera med din återförsäljare eller vilka lokala föreskrifter som föreligger.


KOMPONENTLISTA

1. DAMMSKYDDSKÅPA
2. VERKTYGSHÅLLARE LÅSHYLSA
3. DJUPMÄTARE
4. FUNKSJONSVELGERHJUL
5. STÖTSÄKER HANDTAG
6. PÅ / AV VÄXLA
7. VARIABEL HASTIGHETSREGLERING
8. EXTRAHANDTAG
9. STÖVDEKSEL

Alla tillbehör som visas eller beskrivs ingår inte i standardleveransen.

TEKNISK DATA

Type DX27 (27-betegnelse på maskiner, representant for Hammerbor)

		DX27
Spänning		220-240V-50/60Hz
Strøm input		1500W
Last hastighet		0-920 /min
Effektfrekvens		0-3700/min
Effekt energi		5.0J
Chucken typ		SDS-Plus
Maks. borekapasitet	Stål	13mm
	Murverk	32mm
	Trä	40mm
Skyddsklass		 /II
Maskinens vikt		5.7kg

LJUD- OCH VIBRATIONSDATA

Uppmätt ljudtryck	L_{pA} : 93,3 dB (A)
K_{pA} =	3 dB(A)
Uppmätt ljudstyrka	L_{wA} : 104,3 dB (A)
K_{wA} =	3 dB(A)
Använd hörselskydd	

VIBRATIONSINFORMATION

Vibration totala värden fastställda enligt EN 62841:	
Slagborring i betong	Vibrationsutsändningsvärde: $a_{h,v} = 8,35 \text{ m/s}^2$
	Osäkerhet $K = 1,5 \text{ m/s}^2$
Mejsling	Vibrationsutsändningsvärde: $a_{h,v} = 7,68 \text{ m/s}^2$
	Osäkerhet $K = 1,5 \text{ m/s}^2$

Det deklarerade totala vibrationsvärdet och det deklarerade ljudemissionsvärdet har mätts i enlighet med en standardtestmetod och kan användas för att jämföra ett verktyg med ett annat.

Det deklarerade totala vibrationsvärdet och det deklarerade bullervärdet får också användas i en preliminär bedömning av exponering.



WARNING: Vibrationsvärde vid verklig användning av maskinverktyget kan skilja sig åt från det deklarerade värdet beroende på hur verktyget används och beroende på följande exempel och andra variationer om hur verktyget används:

Hur verktyget används och materialet som skärs eller borrar.

Verktyget är i bra skick och bra underhållet.

Användning av korrekt tillbehör för verktyget och säkerställ att de är skarpa och i bra skick.

Åtdragningsgraden av greppet på handtaget och om några antivibrationstillbehör används.

Och att verktyget används såsom avsett enligt dess konstruktion och dessa instruktioner.

Detta verktyg kan orsaka hand-arm vibrationssyndrom om det används på felaktigt sätt



WARNING: För att vara korrekt bör en beräkning av exponeringsnivån under verkliga förhållanden vid användning också tas med för alla delar av hanteringscykeln såsom tiden när verktyget är avstängt och när det körs på tomgång utan att utföra något arbete. Detta kan betydligt minska exponeringsnivån över den totala arbetsperioden. Hjälps för att minimera risken för vibrationsexponering.

Använd ALLTID skarpa mejslar, borrar och blad.

Underhåll verktyget i enlighet med dessa instruktioner och håll det välsmört (där så behövs)

Om verktyget ska användas regelbundet, investera i antivibrationstillbehör.

Planera ditt arbetsschema för att sprida ut användning av kraftigt vibrerande verktyg över flera dagar.

TILLBEHÖR

Extrahandtag	1
Djupmätare	1
Stövdeksel	1

Vi rekommenderar att du köper tillbehör från butiken där verktyget säljs. Mer information finns i tillbehörsförpackningen. Butikspersonal kan hjälpa dig med råd.

BRUKSANVISNINGAR



NOTERA: Läs instruktionsboken noggrant innan du använder verktyget.

MULIG BRUK

Denna maskin är lämplig för hammarborrning och lätt mejsling av betong, tegel och sten. Det är också lämpligt för borring utan att påverka trä, metall, keramik och plast.

MONTERING

1. MONTERING AV HJELPEHÅNDETAKET (SE FIG. A)

For din personlige sikkerhet anbefales det at du alltid bruker hjelpehåndtaket.

Drei håndtaket på hjelpehåndtaket mot klokken for å løсне klemringen. Skyv klemringen på hjelpehåndtaket på håndtaketets håndtaksring og roter håndtaket rundt ringen til håndtaket er i ønsket arbeidsstilling. Drei håndtaket med klokken for å stramme hjelpehåndtaket på plass.



VARNING: Ett hjälphandtag måste användas under drift.

2. INSTALLERE DYBDEMÅLET (SE FIG. B)

Dybdemåleren kan brukes til å stille en konstant dybde til å hamre. Drei låseskruen (a) på toppen av hjelpehåndtaket mot klokken for å løсне den og sett dybdemåleren inn i håndtaketets hull. Flytta den til ønsket plats. Drei låseskruen med klokken for å stramme.

3. INSTALLERE OG FJERN BORBITT (IKKE INKLUDERT) (SE FIG. C)

Var forsiktig så att du inte skadar dammsyddet när du byter verktyg.

- INFOGA

Rengör och olja borren innan du sätter i den. Dra tillbaka låshylsan (a) på borrhållaren och sätt in den dammfria borringen i borrhållaren på ett vridet sätt tills den låses.

Boren låser sig själv. Kontrollera låset genom att dra i verktyget.

- AVLÅGSNA

Dra tillbaka låshylsan på skärhuvudets hållare och dra ut skärhuvudet.



VARNING: Din nya KRESS-rotationshammer genererer kraftfull kraft for att göra ditt arbete snabbt och effektivt. Dessa krefter kan leda till att sämre

SDS-bitar går sönder och fastnar i chocken. Därför rekommenderar vi att detta verktyg bara använder SDS-bitar av hög kvalitet.

DRIFT

1. PÅ/AV VÄXLA (SE FIG. D)

Tryck på / av för att starta och släpp den för att stoppa verktyget.

2. VARIABEL HASTIGHETSKONTROLL (SE FIG. E)

Med variabel hastighetskontroll kan den nødvendige hastigheten velges (også når du løper).

Den hastighet som krävs beror på materialet och kan bestämmas genom faktiska tester.

3. STÖTSÅKER HANDTAG

Det støtsikre håndtaket reduserer vibrasjoner og gjør driften mer komfortabel og trygg.

4. STÖVDEKSEL (SE FIG. F)

Før du borer, monter støvdekelet over drill bit'en,



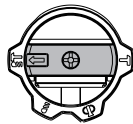
VARNING: Bruk alltid øyevern med dette verktøyet.

5. VALG AV FUNKSJONSMODUS (SE FIG. G)

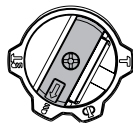
Overføringsoperasjonen for hvert program kan angis av velgeren for funksjonsmodus. Hvis du vil bytte mellom funksjoner, trykker

du på opplåsingsknappen (b) og holder velgeren over til ønsket driftsmodus.

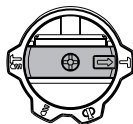
NOTERA: Når du har rotet til ønsket posisjon, flytter du velgeren litt til venstre eller høyre for å kontrollere at hjulet er låst på plass.



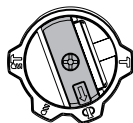
Betong, murverk for borring og påverkan samtidig



Borrmotoder for stål, træ og plast



Modus for meising



Läge for att justera vinkeln på mejselchucken

NOTERA: Välj först detta "db" funktionsläge och justera chuckvinkeln i ønsket riktning. Välj sedan "T", for funktionsläget og utfør mejselbete.



VARNING: Manöveromkopplaren for driftläge kan endast köras i stillastående.

TIPS OM VERKTYGSJOB

1. När borkronan håller på att brista, minska trycket. Detta förhindrar att borkronan fastnar.
2. När du borra ett stort hål, använd först en mindre bit för att borra ett pilothål.
3. Använd alltid tryck på borringen i en rak linje och, om möjligt, i vinklar mot arbetsstycket.
4. Ikke endre driftsmodus mens hammeren er i gang.
5. Använd inte överdrivet tryck på verktyget när du mejar. Expressivitet påskynder inte arbeidet.

UNDERHÅLL

Ta bort pluggen från hållaren innan du gör några anpassningar, servis eller underhåll.

Ditt verktyg kræver inte extra smörjning eller underhåll. Det finns inga delar som kan repareras av användaren i verktyget. Använd aldrig vatten eller kemiska medel för att rengöra verktyget. Torka rent med en torr trasa. Förvara alltid verktyget på en torr plats. Håll motorns ventileringsoppningar rena. Håll alla arbeidskontroller fria från damm. Om strömkabeln är skadad och att undvika fara, måste den ersättas av tillverkaren, servis agenten eller liknande kvalifiserad person.

FEILSØKING

1. Hvis elektroverktøyet ikke starter, kontrollerer du strømpluggen først.
2. Hvis hammeren blir for varm i bruk, setter du hammerbryteren til bormodus og lar boret gå med en maksimal hastighet på 2 minutter uten belastning.
3. Hvis hammeren er for effektiv, tilsett nok fett til fettboksen.
4. Hvis hammeren er ineffektiv, må du kontrollere at verktøyet er for sløvt.
5. Hvis feilen ikke kan korrigeres, returnerer du verktøyet til en autorisert forhandler for reparasjon.

MILJÖSKYDD



Uttjånade elektriska maskiner får inte kasseras som hushållsavfall. Använd återvinningsfaciliteter om det finns tillgängligt. Kontrollera med din återförsäljare eller vilka lokala föreskrifter som föreligger.

DEKLARATION OM ÖVERENSSTÄMMELSE

Vi,
POSITEC Germany GmbH
Postfach 32 02 16, 50796 Cologne, Germany

förklarar att denna produkt,
Beskrivning **Rotorhammare**
Typ **DX27 (27 –angivelser för maskineri, representativt för Slagbormmaskin)**

Funktion **Slagborrning i olika material**

uppfyller följande direktiv,
2006/42/EC
2011/65/EU&(EU)2015/863
2014/30/EU

Standarder överensstämmer med
EN 62841-1, EN IEC 62841-2-6, EN IEC 55014-1,
EN IEC 55014-2, EN IEC 61000-3-2, EN 61000-3-3

Personen som godkänts att sammanställa den tekniska filen.

Namn: Marcel Filz

Adress: Positec Germany GmbH

Postfach 32 02 16, 50796 Cologne, Germany



2022/11/22

Allen Ding

Vice chefsingenjör, tester och certifiering

Positec Technology (China) Co., Ltd

18, Dongwang Road, Suzhou Industrial

Park, Jiangsu 215123, P. R. China

ALKUPERÄISET OHJEET MOOTTORITYÖKALUN YLEISET TURVALLISUUSVAROITUKSET

 **VAROITUS!** Lue kaikki ohjeet. Varoitusten ja ohjeiden noudattamatta jättämisestä voi olla seurauksena sähköiskku, tulipalo ja/tai vakava tapaturma.

Tallenna kaikki varoitukset ja ohjeet myöhempiä käyttöä varten. Seuraavissa ohjeissa käytetty termi ”kone” viittaa verkkokäyttöiseen (liitäntäjohdolla varustettuun) tai akkukäyttöiseen (johdottomaan) sähkötyökaluun.

1. TYÖYMPÄRISTÖ

- Pidä työympäristö siistinä ja huolehdi hyvästä valaistuksesta.** *Sotkuiset ja hämärit työympäristöt ovat tapaturma-alttiita.*
- Älä käytä koneita räjähdyssaarallisissa, palavia nesteitä, kaasuja tai pölyä sisältävissä tiloissa.** *Koneissa syntyy kipinöitä, jotka voivat sytyttää pölyn tai höyryt.*
- Huolehdi konetta käyttäessäsä, ette lapset ja siviliset pysyvät loitolla.** *Häiriötekijät saattavat aiheuttaa koneen hallinnan menettämisen.*

2. SÄHKÖTURVALLISUUS

- Koneen liitäntäjohdon pistokkeen pitää sopia pistorasiaan.** *Älä muuta pistoketta millään tavoin. Älä käytä sovitimia (jakorasioita) suojamaadoitettujen koneiden kanssa.* *Pistorasiaan sopiva alkuperäinen pistoke vähentää sähköiskun vaaraa.*
- Älä koske maadoitettuihin pintoihin, kuten putkiin, lämpöpattereihin, liesiin ja jääkaappeihin.** *Sähköiskun vaara on suurempi, jos kehosi on maadoitettu.*
- Älä altista koneita sateelle tai kosteudelle.** *Koneeseen pääsevä vesi lisää sähköiskun vaaraa.*
- Varo vahingoittamasta liitäntäjohtoa. Älä kannata tai vedä konetta liitäntäjohtosta äläkä irrota pistoketta johdosta vetämällä.** *Suojaa liitäntäjohto kuumuudelta, öljyltä, teräviltä reunoilta ja liikkuvilta osilta.* *Vaurioituneet tai sokeentuneet liitäntäjohdot lisäävät sähköiskun vaaraa.*
- Käytä ulkona työskennellessäsi vain ulkokäyttöön sopivia jatkojohtoja.** *Ulkokäyttöön sopivan jatkojohdon käyttö vähentää sähköiskun vaaraa.*
- Jos sähkötyökalun käyttö kosteassa tilassa on välttämätöntä, jännönsvirtaa sisältävän laitteen (RCD) suojattaa virtaa.** *RCD:n käyttö vähentää sähköiskun vaaraa.*

3. KÄYTTÄJÄN TURVALLISUUS

- Ole valpas, keskity siihen, mitä olet tekemässä, ja käytä järjettä koneen kanssa työskennellessäsi.** *Älä käytä konetta väsyneenä tai huumeiden, alkoholin, tai lääkkeiden vaikutuksen alaisena.* *Hetken hajamielisyys koneita käytettäessä saattaa aiheuttaa vakavan tapaturman.*
- Käytä suojavarusteita.** *Käytä aina suojalaseja.* *Suojavarusteiden, kuten hengityssuojaimien, pitävähäpohjaisten turvakengien, suojakypärän ja kuulonsuojaimien, tarkoituksenmukainen käyttö vähentää tapaturmia.*
- Estä tahaton käynnistyminen.** *Varmista, että kytkin on off-asennossa ennen liittämistä virtalähteeseen ja/tai akkuun ja ennen työkalun nostamista tai kantamista.* *Koneen kantaminen sormi käynnistyskytkimellä tai liitäntäjohdon kytkeminen käynnistyskytkimen ollessa päällä altistaa tapaturmille.*
- Varmista ennen koneen käynnistämistä, että kaikki säätöavaimet ja muut työkalut on poistettu.** *Pyörivään osaan kiinni jätetty avain saattaa aiheuttaa tapaturman.*
- Älä kurkottele.** *Säilytä koko ajan tukeva asento ja*

hyvä tasapaino. *Tällöin hallitset koneen paremmin odottamattomissa tilanteissa.*

- Pukeudu asianmukaisesti.** *Älä käytä löysiä vaatteita tai koruja.* *Pidä hiukseksi, vaatteesi ja käsiinesi kaukana liikkuvista osista.* *Väljät vaatteet, korut tai pitkät hiukset voivat tarttua liikkuviin osiin.*
- Jos koneessa on liitännät pölynpoisto - ja keruulaitteille, varmista, että ne on kytketty ja että niitä käytetään oikein.** *Näiden laitteiden käyttö voi vähentää pölyyn liittyviä vaaroja.*
- Työskentele keskittyneesti ja noudata aina turvallisuusmääräyksiä.** *etkellinenkin huolimattomuus voi aiheuttaa vakavia vammoja.*

4. KONEEN KÄYTTÖ JA HOITO

- Älä ylikuormita konetta.** *Käytä työhön sopivaa konetta.* *Oikea kone tekee työn paremmin ja turvallisemmin sillä nopeudella, jolle se on suunniteltu.*
- Älä käytä konetta, jos sitä ei voi käynnistää ja pysäyttää käyttämällä.** *Jos konetta ei voi ohjata käynnistys-/pysäytyskytkimellä, se on vaarallinen ja pitää korjata.*
- Irrota sähkötyökalun pistoke virtalähteestä ja/tai akusta ennen säätöjen tekemistä, lisäosien vaihtamista tai sähkötyökalun varastointia.** *Tämä ennalta ehkäisevä turvatoimi estää koneen käynnistymisen vahingossa.*
- Säilytä koneet lasten ulottumattomissa äläkä anna koneeseen tai näihin ohjeisiin tutustumattoman henkilön käyttää konetta.** *Koneet ovat vaarallisia tottumattomien käyttäjien käsissä.*
- Pidä koneet kunnossa.** *Tarkista esiintynyt liikkuvissa osissa heittoa tai takertelua ja näkkykö osissa vauriota tai jotain muuta, joka voi vaikuttaa koneen toimintaan.* *Jos kone on vahingoittunut, korjauta se ennen käyttöä.* *Monet tapaturmat johtuvat huonokuntoisista koneista.*
- Pidä terät terävinä ja puhtaina.** *Asianmukaisesti hoidetut terät, joissa on terävät leikkureunat, toimivat todennäköisemmin tarketelematta ja ovat helpommin hallittavissa.*
- Käytä konetta, varusteita ja teriä/kärkiä näiden ohjeiden mukaisesti ja kyseisen koneityypin suunniteltuun tarkoitukseen ottaen huomioon työskentelyolosuhteet ja suoritettava työ.** *Koneen suunnitellusta käyttötarkoituksesta poikkeava käyttö voi aiheuttaa vaarallisen tilanteen.*
- Pidä kahvat ja kädensijat kuivina ja puhtaina (öljytöminä ja rasvattomina).** *Jos kahvat ja kädensijat ovat liukkaita, et pysty yllättävissä tilanteissa ohjaamaan ja hallitsemaan työkalua turvallisesti.*

5. HUOLTO

- Huollata kone valtuutetussa huollossa käyttäen vain alkuperäisiä varaosia.** *Tämä varmistaa koneen turvallisuuden säilymisen.*

PORAVASARAN LISÄTURVAOHJEITA

- Käytä kuulonsuojaimia.** *Altistus melulle voi aiheuttaa kuulon heikkenemisen.*
- Käytä työkalun mukana toimitettuja lisäkahvoja.** *Koneen hallinnan menetyks voi johtaa henkilövahinkoon.*
- Pitele konetta eristetyistä kädensijoista/tartutapinoista, kun teet töitä, joissa terä saattaa osua rakenteissa oleviin sähköjohtoihin tai koneen liitäntäjohtoon.** *Osuminen jännitteelliseen johtimeen tekee myös koneen paljaista metalliosista jännitteellisiä, ja käyttäjä saa niistä sähköiskun.*
- Käytä pölysuojainta.**

SYMBOLIT



Käyttäjän täytyy lukea ohjekirja loukkaantumisaaran vähentämiseksi



Varoitus



Käytä kuulosuojaimia



Käytä suojalaseja



Käytä pölysuojainta



Suojausluokka



Käytettyjä sähkölaitteita ei saa heittää pois kotitalousjätteen mukana. Toimita ne kierrätyspisteeseen. Lisätietoja kierrätyksestä saa paikallisilta viranomaisilta tai jälleenmyyjältä.

KOMPONENTTILUETTELO

1. PÖLYNSUOJAKORKKI
2. TYÖKALUN PITIMEN LUKITUSHOLKKI
3. SYVYYSMITTARI
4. TOIMINNAN VALINTAKIEKKO
5. ISKUNKESTÄVÄ KAHVA
6. PÄÄLLE / POIS KYTKIN
7. SÄÄDETTÄVÄN NOPEUDEN SÄÄTÖ
8. APUKAHVA
9. PÖLYSUOJA

Kaikki esitetyt tai kuvatut lisälaitteet eivät sisälly vakiovarustukseen.

TEKNISET TIEDOT

DX27 tyyppi (27-koneen nimi, tarkoittaa sähkövasaraa)

		DX27
Jännite		220-240V~50/60Hz
Virransyöttö		1500W
Kuormitusnopeus		0-920 /min
Vaikutusaste		0-3700/min
Iskun energia		5.0J
Istukatyyppi		SDS-Plus
Max. porauskapasiteetti	Teräs	13mm
	Muuraus	32mm
	Puu	40mm
Suojausluokka		□/II
Koneen paino		5.7kg

MELUPÄÄSTÖT

A-painotettu äänenpaine	L_{pA} : 93,3 dB (A)
K_{pA} =	3 dB(A)
A-painotettu ääniteho	L_{wA} : 104,3 dB (A)
K_{wA} =	3 dB(A)
Käytä kuulosuojaimia	

TÄRINÄTASOT

EN62841:n mukaiset kokonaistärinäarvot	
Sementin iskuporaus	Tärinäpäästö: $a_{hp} = 8,35 \text{ m/s}^2$
	Epävarmuus $K = 1,5 \text{ m/s}^2$
Taltaus	Tärinäpäästö: $a_{hp} = 7,68 \text{ m/s}^2$
	Epävarmuus $K = 1,5 \text{ m/s}^2$

Ilmoitettu tärinän kokonaisarvo ja ilmoitettu melupäästöarvo on mitattu kohdan a mukaisesti standardi testimenetelmä, ja sitä voidaan käyttää työkalujen vertaamiseen toiseen.

Ilmoitettua tärinän kokonaisarvoa ja ilmoitettua melupäästöarvoa voidaan käyttää myös alustavassa arvioinnissa. Alitstuminen.



VAROITUS: Työkalun käytön todelliset tärinäarvot saattavat poiketa annetuista arvoista riippuen työkalun käyttötavoista seuraavien määritelmien muiden käyttötapojen perusteella:

Kuinka työkalua käytetään ja mitä materiaaleja porataan.

Onko työkalu hyvässä kunnossa ja hyvin huollettu

Käytetäänkö työkalussa oikeita lisävarusteita ja ovatko ne teräviä ja hyväkuntoisia.

Kalvojen otteen pitävyys, jos työkalussa käytetään tärinää estäviä lisävarusteita.

Käytetäänkö työkalua asianmukaisesti ja näitä ohjeita noudattaen.

Tämä työkalu saattaa aiheuttaa käsien/käsivarsien tärinäsyndrooman, jos laitetta ei käytetä oikein



VAROITUS: Altistustason arvioinnissa tulee tarkkuuden vuoksi ottaa huomioon todelliset käyttöolosuhteet, mukaan lukien aika, kun työkalu on kytketty pois päältä ja kun se käy joutokäynnillä. Tämä saattaa vähentää koko työajan yhteenlaskettua altistusaikaa huomattavasti.

Tärinälle altistumisriskin vähentäminen.

Käytä AINA teräviä taltoja, poria ja teriä

Huolla tätä työkalua ohjeiden mukaisesti ja pidä työkalu hyvin voideltuna (soveltuvissa kohdissa)

Jos työkalua käytetään säännöllisesti, hanki tärinää estävät lisävarusteet.

Suunnittele työt siten, että paljon tärinää aiheuttavien töiden suorittaminen jakautuu usealle päivälle.

LISÄVARUSTEET

Apukahva	1
Syvyysmittari	1
Pölysuoja	1

Suosittellemme ostamaan lisävarusteita myymälästä, jossa työkalua myydään. Katso lisävarustepaketti. Kaupan henkilökunta voi auttaa ja neuvoa sinua.

KÄYTTÖOHJEET



HUOM: Lue käyttöohjeet huolellisesti ennen työkalun käyttöä.

MAHDOLLINEN KÄYTTÖ

Kone sopii betonin, tiilen ja kivin vasaralla poraamiseen ja kevyeen talttamiseen. Se sopii puun, metallin, keramiikan ja muovin poraamiseen ilman iskua.

KOMPONENTTI

1. LISÄKÄSITTELYN ASENNUS (KATSO KUVA A)

Henkilökohtaisen turvallisuutesi vuoksi on suositeltavaa käyttää aina apukahvoja.

Kierrä lisäkavhan kahvaa vastapäivään vapauttaaksesi kiristysrenkaan. Liu'uta apukahvan kiinnitysrenkas vasaran kahvan kaulukseen ja käännä sitten kahvaa kauluksen ympäri, kunnes kahva on halutussa työasennossa. Kiristä lisäkahva paikalleen kääntämällä kahvaa myötäpäivään.



VAROITUS: Lisäkavhan on käytettävä käytön aikana.

2. SYVYYSMITTARI ASENTAMINEN (KATSO KUVA B)

Syvyysmittarilla voidaan asettaa vasaralle vakio syvyys. Kierrä lisäkavhan yläosassa olevaa lukitusruuvia (a) vastapäivään, jotta se löysää, ja aseta syvyysmittari kahvan reikään. Siirrä se haluamaasi kohtaan. Kiristä kiertämällä lukitusruuvia myötäpäivään.

3. PORRIPPITEN ASETTAMINEN JA POISTAMINEN (EI TOIMITTU) (KATSO KUVA C)

Kun vaihdat työkalua, ota huomioon, ettei vahingoita pölykorkkia.

- INSERTI

Puhdista ja öljytä poranterä ennen asettamista paikalleen. Vedä veitsenpitimen lukitusholkki takaisin paikoilleen ja aseta sitten pölytön poranterä veitsenpitimeen kiertämättä, kunnes se napsahtaa.

Terä lukittuu itseensä. Tarkista lukitus vetämällä työkalua.

- POISTAMINEN

Vedä työkalunpidikkeen lukitusholkki takaisin paikalleen ja vedä poranterä ulos.



VAROITUS: Uusi sähkövasarasi tuottaa voimakasta voimaa, joka voi nopeasti ja tehokkaasti suorittaa työsi. Nämä voimat voivat aiheuttaa alemman tason

SDS-bittien rikkoutumisen ja juuttumisen istukkaan. Siksi suosittelemme, että tämä työkalu käyttää vain korkealaatuisia SDS-bittejä.

OPERAATIO

1. PÄÄLLE / POIS-KYTKIN (KATSO KUVA D)

Paina päälle / pois-kytkin käynnistää ja vapauttaa se lopettaa työkalun.

2. MUUTTUVA NOPEUDEN SÄÄTÖ (KATSO KUVA E)

Säädettävän nopeuden ohjauksen avulla voidaan valita haluttu nopeus (ajonaika).

Vaadittava nopeus riippuu materiaalista ja se voidaan määrittää todellisilla testeillä.

3. ISKUNKESTÄVÄ KAHVA

Iskunkestävä kahva vähentää tärinää, mikä tekee käytöstä mukavamman ja turvallisemman.

4. PÖLYSUOJA (KATSO KUVA F)

Ennen poraamista aseta pölysuojus terään.

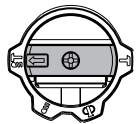


VAROITUS: Käytä tätä työkalua aina suojalasin kanssa.

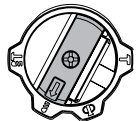
5. TOIMINTOTILAN VALINTA (KATSO KUVA G)

Kunkin sovelluksen vaihdelaatikon toiminta voidaan asettaa toimintotilan valitsimella. Voit vaihtaa toimintojen välillä painamalla lukituspainiketta (b) ja kääntämällä valintakiekko haluttuun käyttötapaan.

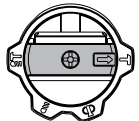
HUOM: Kun olet kiertänyt haluamaasi kohtaan, siirrä valintakiekkoa hieman vasemmalle tai oikealle tarkistaaksesi, onko valitsin lukittu paikalleen.



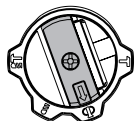
Suorita samanaikaisesti poraus- ja betonivaikutustila, muuraus


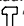


Teräkseen, puuhun ja muovin poraamiseksi



Tila tai taltta



Tila talttatukan kulman säätämiseksi
HUOM: Valitse tämä toimintotila "  " ensimmäinen, säädä istukka kulma haluttuun suuntaan. Valitse sitten toimintatilaksi "  ", työ toimii taltan.



VAROITUS: Toiminnan valintakiekko voidaan käynnistää ainoastaan pidättymisellä.

TYÖVIHJEITÄ TYÖKALULLESII

1. Kun poranterä on hajoamassa, pienennä sen painetta. Tämä estää poran terän juuttumisen.
2. Kun poraat suurta reikää, käytä ensin pienempää reikää ohjausreiän poraamiseen.
3. Paineista poraa aina suorassa linjassa, jos mahdollista, suorassa kulmassa työkappaleeseen nähden.
4. Älä muuta toimintatapaa vasaran ollessa käynnissä.
5. Älä altista työkalua liialliselle painallukselle. Ilmellisyys ei nopeuta työtä.

HUOLTO

Irrota pistoke pistorasiasta ennen kuin teet mitään säätöjä tai huoltoja.

Koneen sisällä ei ole käyttäjän huollettavia osia. Älä käytä vettä tai kemiallisia puhdistusaineita koneen puhdistukseen. Pyyhi puhtaaksi kuivalla liinalla. Säilytä kone kuivassa paikassa. Pidä moottorin tuuletusaukot puhtaana. Pidä kytkimet ja säätimet pölyttöminä. Tuuletusaukoista näkyvä kipinöinti on normaalia eikä vahingoita konetta. Jos virtajohto on vahingoittunut, se on sähköiskun välttämiseksi jätettävä valmistajan, valtuutetun huoltoedustajan tai vastaavan pätevän sähkötekniikon vaihdettavaksi.

VIANMÄÄRITYS

1. Jos sähkötyökalusi ei käynnisty, tarkista ensin pistoke.
2. Jos vasarasi kuumentuu käytön aikana, aseta vasarakytkin poraustilaan ja anna poran käydä enimmäisnopeudella 2 minuutin ajan ilman kuormaa.
3. Jos vasaran työteho on liian matala, lisää rasvaa rasvakoteloon.
4. Jos vasarasi on tehoton, tarkista onko työkalu liian tylsä.
5. Jos vikaa ei voida korjata, palauta työkalu valtuutettuun jälleenmyyjään korjattavaksi.

YMPÄRISTÖN SUOJELU



Käytettyjä sähkölaitteita ei saa heittää pois kotitalousjätteen mukana. Toimita ne kierrätyspisteeseen. Lisätietoja kierrätyksestä saa paikallisilta viranomaisilta tai jälleenmyyjältä.

VAATIMUSTENMUKAISUUS- VAKUUTUS

Me,
POSITEC Germany GmbH
Postfach 32 02 16, 50796 Cologne, Germany

Vakuutamme täten, että tuote
Selostus **Poravasara**
Tyyppi **DX27 (27-koneen määrittymiset, esimerkiksi Pyöriavasara)**
Toiminto **Erialaisten materiaalien vasarointi**

Täyttää seuraavien direktiivien määräykset:
2006/42/EC,
2011/65/EU&(EU)2015/863,
2014/30/EU

Yhdenmukaisuusstandardit
EN 62841-1, EN IEC 62841-2-6, EN IEC 55014-1,
EN IEC 55014-2, EN IEC 61000-3-2, EN 61000-3-3

Henkilö valtuutettu laatimaan teknisen tiedoston,
Nimi: Marcel Filz
Osoite: Positec Germany GmbH
Postfach 32 02 16, 50796 Cologne, Germany



FIN

2022/11/22
Allen Ding
Apulais Pääinsinööri, testaus ja sertifiointi
Positec Technology (China) Co., Ltd
18, Dongwang Road, Suzhou Industrial
Park, Jiangsu 215123, P. R. China

ORIGINAL DRIFTSINSTRUKS GENERELLE SIKKERHETS- ADVARSLER FOR ELEKTROVERKTØY

 **ADVARSEL!** Les alle instruksjoner. Hvis du unnlater å følge instruksjonene under, kan det resultere i elektrisk støt, brann og/eller alvorlig skade.

Ta vare på alle advarsler og veiledninger for fremtidig referanse. Uttrykket "elektrisk verktøy" i alle advarslene som er listet opp viser til verktøyet ditt som er koblet til strømforsyningen (med ledning) eller batteriverktøy (uten ledning).

1. ARBEIDSSOMRÅDE

- Hold arbeidsområdet ryddig og opplyst. Overflyt og merke områder inviterer til ulykker.
- Ikke bruk det elektriske verktøyet i eksplosiv atmosfære, slik som i nærheten av brennbare væsker, gasser eller støv. Elektrisk verktøy lager gnister, noe som kan antenne støv eller damp.
- Hold barn og de omkringstående unna når du bruker det elektriske verktøyet. Distrahering kan forårsake at du mister kontrollen.

2. ELEKTRISK SIKKERHET

- Støpselet til verktøyet må passe til uttaket. Forandre aldri støpselet på noen måte. Ikke bruk adapterplugger i forbindelse med jordet elektrisk verktøy. Uendrede støpsel og passende uttak vil redusere risikoen for elektrisk støt.
- Unngå kroppskontakt med jordet overflater slike som rør, radiatorer, komfyrer og kjøleskap. Det er en økt risiko for elektrisk støt hvis kroppen din er jordet..
- Ikke utsett det elektriske verktøyet for regn eller våte omstendigheter. Tilførsel av vann i et elektrisk verktøy, øker risikoen for elektrisk støt.
- Ikke påfør ledningen skade. Bruk aldri ledningen til å bære, trekke eller ta ut støpselet til det elektriske verktøyet. Hold ledningen unna varme, skarpe kanter eller bevegelige deler. Skadede eller sammenfiltrede ledninger øker risikoen for elektrisk støt.
- Når du bruker et elektrisk verktøy utendørs, bruk en skjøteledning som er beregnet for utendørs bruk. Ved å bruke en skjøteledning som er beregnet for utendørs bruk, reduserer du risikoen for elektrisk støt.
- Når man håndterer et elektrisk verktøy i fuktige omgivelser, bør man bruke en strømforsyning som er utstyrt med en spenningsavledende mekanisme (RCD). Ved å bruke RCD unngår man elektriske støt.

3. PERSONLIG SIKKERHET

- Vær årvåken, følg med på hva du gjør og bruk sunn fornuft når du behandler et elektrisk verktøy. Ikke bruk et elektrisk verktøy når du er trett eller påvirket av narkotika, alkohol eller medisiner. Et øyeblikk av uoppmerksomhet når du bruker det elektriske verktøyet kan resultere i alvorlig personskade.
- Bruk sikkerhetsutstyr. Bruk alltid vernebriller. Sikkerhetsutstyr som støvmaske, sklisikre vernesko, hjelm eller hørselsvern brukt i passende sammenhenger vil redusere personskader.
- Unngå utilsikket oppstart. Se til at bryteren står i avslått stilling før du kobler til strømkilden og/eller batteripakken, eller før du tar opp eller bærer verktøyet. Det å bære verktøyet med fingeren på bryteren eller sette i støpselet til et elektrisk verktøy som står på, inviterer til ulykker.

- Fjern alle justeringsnøkler eller skrunøkler før du slår på det elektriske verktøyet. En skrunøkkel eller en annen nøkkel som er festet til det elektriske verktøyet kan resultere i personskade.
- Ikke strekk deg over. Ha godt fotfeste og balanse hele tiden. Dette muliggjør bedre kontroll over det elektriske verktøyet i uventede situasjoner.
- Kle deg skikkelig. Ikke bruk løstsittende klær eller smykker. Hold håret, klærne og hanskene vekk fra bevegelige deler. Løse klær, smykker eller langt hår kan bli fanget i bevegelige deler.
- Hvis utstyret er utstyrt for tilkobling med støvutblåsing og innsamlingsfasiliteter, sikre deg at disse er tilkoblet og forsvarlig brukt. Ved bruk av dette utstyret kan du redusere støvelaterede skader.
- Selv når du er blitt vant til verktøyet, må du ikke bli sløv og ignorere sikkerhetsreglene for verktøyet. En uforsiktig handling kan forårsake alvorlig personskade i løpet av et brøkdels sekund.

4. ELEKTRISK VERKTØY, BRUK OG VEDLIKEHOLD

- Ikke bruk makt på det elektriske verktøyet. Bruk det riktige elektriske verktøy til din anvendelse. Det riktige elektriske verktøyet vil gjøre jobben bedre og sikrere når det blir brukt til det, det er beregnet for.
- Ikke bruk det elektriske verktøyet hvis bryteren ikke slår på og av. Ett hvert elektrisk verktøy som ikke kan bli kontrollert med bryteren, er farlig og må repareres.
- verktøyet før du gjør noen justeringer, endrer noe tilleggsutstyr eller lagrer elektriske apparater. Slike forebyggende sikkerhetstiltak reduserer risikoen for å starte det elektriske verktøyet ved et uhell.
- Lagre elektrisk verktøy som ikke er i bruk, utenfor barns rekkevidde, og ikke tillat personer som er ukjent med disse instruksjonene å bruke det. Elektrisk verktøy er farlig i hendene på utrenede brukere.
- Vedlikehold elektrisk verktøy. Sjekk for feiljusteringer eller binding av bevegelige deler, brennkasse av deler og eventuelle andre forhold som kan påvirke verktøyet's operasjoner. Hvis skade, få verktøyet reparert før bruk. Mange ulykker er forårsaket av dårlig vedlikeholdt, elektrisk verktøy.
- Hold skjæreverktøy skarpe og rene. Godt vedlikeholdte skjæreverktøy med skarpe egger er mindre tilbøyelig for å knipe og er lettere å kontrollere.
- Bruk det elektriske verktøyet, rekvisitter og verktøydeler etc., i henhold til disse instruksjonene og måten som er tilsiktet det spesielle verktøyet, i henhold til arbeidsforholdene og arbeidet som skal utføres. Bruk av det elektriske verktøyet til operasjoner det ikke er beregnet for, kan resultere i farlige situasjoner.
- Hold håndtak og gripeflater tørre, rene og uten olje eller fett. Glatte håndtak og gripeflater hindrer sikker håndtering og styring av verktøyet i uventede situasjoner.

5. SERVICE

- Sørg for at det elektriske verktøyet får service av en kvalifisert reparatør som bare benytter originale reservedeler. Dette vil sikre at sikkerheten til verktøyet blir ivaretatt.

YTTERLIGERE SIKKERHETSPUNKTER FOR DIN ROTTERENDE HAMMER

- Bruk hørselsvern. Utsettelse for støy kan forårsake hørselstap.

2. **Bruk hjelpehåndtakene som følger med verktøyet.** *Tap av kontroll kan forårsake personlig skade.*
3. **Hold verktøyet med en isolerende gripeoverflate når du utfører en operasjon der skjæreverktøyet kan komme i kontakt med skulte ledninger eller sin egen ledning.** *Kontakt med en "levende" ledninger vil utsette metalldele til verktøyet og operatøren for støt.*
4. **Bruk støvmaske.**



Bruk hørselsvern



Bruk vernebriller



Bruk støvmaske



Beskyttelsesklasse



For å redusere risikoen for personskade, må brukeren lese instruksjonsveiledningen



Advarsel



Avfall etter elektriske produkter må ikke legges sammen med husholdningsavfall. Vennligst resirkuler avfallet der dette finnes. Undersøk hos de lokale myndighetene eller en detaljist for resirkuleringsråd.

KOMPONENTLISTE

1. STØVBESKYTTELSESHETTE
2. LÅSEMUFF PÅ VERKTØYHOLDEREN
3. DYBDEMÅLER
4. FUNKSJONSVELGERHJUL
5. ANTI-VIBRASJONSHÅNDTAK
6. PÅ / AV BRYTER
7. VARIABEL HASTIGHETSKONTROLL
8. HJELPEHÅNDTAK
9. STØVDEKSEL

Ikke alt tilbehør som er vist eller beskrevet er inkludert i standardleveransen.

TEKNISKE DATA

Type DX27 (27-betegnelse på maskiner, representant for Hammerbor)

		DX27
Spenning		220-240V~50/60Hz
Strøm input		1500W
Last hastighet		0-920 /min
Effektfrekvens		0-3700/min
Effekt energi		5.0J
Chuck type		SDS-Plus
Maks. borekapasitet	Stål	13mm
	Murverk	32mm
	Tre	40mm

Beskyttende klasse	□/II
Maskinens vekt	5.7kg

STØYINFORMASJON

Belastning lydtrykk	L_{pA} : 93,3 dB (A)
K_{pA} =	3 dB(A)
Belastning lydeffekt	L_{wA} : 104,3 dB (A)
K_{wA} =	3 dB(A)
Bruk hørselsvern.	

VIBRASJONSINFORMASJON

Vibration total values (triax vector sum) determined according to EN 62841:	
Hammer drilling into concrete	Vibrasjonutsendingsverdi: $a_{h,p} = 8,35 \text{ m/s}^2$
	Usikkerhet $K = 1,5 \text{ m/s}^2$
Huggjern	Vibrasjonutsendingsverdi: $a_{h,p} = 7,68 \text{ m/s}^2$
	Usikkerhet $K = 1,5 \text{ m/s}^2$

NOR

Den oppgitte vibrasjonstotalverdien og den deklarererte støytuslippetsverdien er målt i henhold til a standard testmetode og kan brukes til å sammenligne ett verktøy med et annet.

Den oppgitte vibrasjonstotalverdien og den oppgitte støytuslippetsverdien kan også brukes i en foreløpig vurdering av eksponering.



ADVARSEL: Vibrasjonsutslippetsverdien under faktisk bruk av kraftverktøyet kan avvike fra oppgitt verdi, avhengig av måtene verktøyet brukes og følgende eksemplene og andre variasjoner i hvordan verktøyet brukes:

Hvordan verktøyet brukes og materialene som blir kuttet eller drillt.

Verktøyet er i god stand og godt vedlikeholdt.

Bruk av riktig tilbehør for verktøyet, og sørg for at det er skarpt og i god stand.

Hvor stramt grepet på håndtakene er, og om det brukes antivibrasjonstilbehør.

Og at verktøyet blir brukt til det formålet det er tilsiktet i henhold til designet og disse instruksjonene.

Dette verktøyet kan forårsake hånd-arm vibrasjonssyndrom, hvis det ikke brukes på en god måte.



ADVARSEL: For å være nøyaktig, bør også et overslag over eksponeringsnivå under faktiske bruksforhold også tas med i betraktning i alle deler av driftssyklusen, slik som når verktøyet er skrudd av og når det går på tomgang, men ikke faktisk gjør jobben. Dette kan redusere eksponeringsnivået betraktelig over hele arbeidsperioden.

For å hjelpe til å minimere risikoen for vibrasjonseksponering.

Bruk ALLTID skarpe meisler, drillere og blad.

Vedlikehold verktøyet i henhold til disse instruksjonene og sørg for at det er godt smurt (der det er hensiktsmessig).

Hvis verktøyet skal brukes regelmessig, invester i antivibrasjonstilbehør.

Planlegg arbeidstidplanen din slik at du sprer bruk av høyvibrasjonsverktøy utover flere dager.

TILBEHØR

Hjelpehåndtak	1
Dybdemåler	1
Støvdeksel	1

Vi anbefaler at du kjøper tilbehør fra butikken der verktøyet selges. Se tilbehørspakken for mer informasjon. Butikkpersonalet kan hjelpe og gi deg råd.

BRUKSANVISNING



MERK: Les bruksanvisningen nøye før du bruker verktøyet.

MULIG BRUK

Maskinen er beregnet på boringavhammer i betong, murstein og stein samt tillettmeislingsarbeid. Det er også egnet for boring uten å påvirke tre, metall, keramikk og plast.

KOMPONENT

1. MONTERING AV HJELPEHÅNDTAKET (SE FIG. A)

For din personlige sikkerhet anbefales det at du alltid bruker hjelpehåndtaket.

Drei håndtaket på hjelpehåndtaket mot klokken for å løse klemringen. Skyv klemringen på hjelpehåndtaket på håndtaket håndtaksring og roter håndtaket rundt ringen til håndtaket er i ønsket arbeidsstilling. Drei håndtaket med klokken for å stramme hjelpehåndtaket på plass.



ADVARSEL: hjelpehåndtaket må brukes under drift.

2. INSTALLERE DYBDEMÅLET (SE FIG. B)

Dybdemåleren kan brukes til å stille en konstant dybde til å hamre. Drei låseskruen (a) på toppen av hjelpehåndtaket mot klokken for å løse den og sett dybdemåleren inn i håndtakets hull. Flytt den til ønsket sted. Drei låseskruen med klokken for å stramme.

3. INSTALLERE OG FJERN BORBITT (IKKE INKLUDERT) (SE FIG. C)

Vær forsiktig så du ikke skader støvheten når du skifter ut verktøyet.

- Innsetting

Før innsetting, rengjør og olje for boret. Trekk i holderen for å låse hylsen og sett den støvfrie boret inn i holderen på en ikke-vidningsmåte til den sitter fast.

Biten låser seg. Kontroller at den er låst ved å trekke i verktøyet.

- Fjerne

Trekk verktøylåsens låsehylse tilbake og trekk den ut.



ADVARSEL: Din nye hammer sitter kraftig for å få arbeidet gjort raskt og effektivt. Disse kreftene kan føre til dårlig salg av SDS drill å bryte og bli sittende fast i kortsuffen. Derfor anbefaler vi at dette verktøyet bare bruker Høykvalitets SDS-biter.

DRIFTS

1. PÅ / AV-BRYTER (SE FIG. D)

Trykk på av/på-bryteren for å starte og slipp den for å stoppe verktøyet.

2. VARIABEL HASTIGHETSKONTROLL (SE FIG E)

Med variabel hastighetskontroll kan den nødvendige hastigheten velges (også når du løper).

Den nødvendige hastigheten avhenger av materialet og kan bestemmes ved faktiske tester.

3. ANTI-VIBRASJONSHÅNDTAK

Det støtsikre håndtaket reduserer vibrasjoner og gjør driften mer komfortabel og trygg.

4. STØVDEKSEL (SE FIG. F)

Før du borer, monter støvdekslet over drill bit'en,

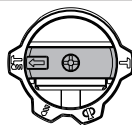


ADVARSEL: Bruk alltid øyevern med dette verktøyet.

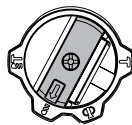
5. VALG AV FUNKSJONSMODUS (SE FIG. G)

Overføringsoperasjonen for hvert program kan angis av velgeren for funksjonsmodus. Hvis du vil bytte mellom funksjoner, trykker du på opplåsningsknappen (b) og holder velgeren over til ønsket driftsmodus.

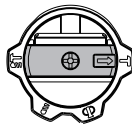
MERK: Når du har rotet til ønsket posisjon, flytter du velgeren litt til venstre eller høyre for å kontrollere at hjulet er låst på plass.



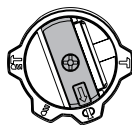
Modus for samtidig boring og slag av betong, murverk



For boring av stål, tre og plast



Modus for meisling



Modus for å justere chuckvinkelen
MERK: Velg denne funksjonsmodusen " " juster chuckvinkelen i ønsket retning. Velg deretter funksjonsmodustil " " , bruk til meislingsarbeid.



ADVARSEL: Funksjonsvelgeren kan kun brukes i en stasjonær tilstand.

ARBEIDSTIPS FOR DITT VERKTØY

1. Reduser trykket når boret er i ferd med å bryte. Dette hindrer at boret setter seg fast.
2. Når du borer et stort hull, må du først bore et føringshull med en mindre borkrone.
3. Bruk alltid trykket på boret i en rett linje og, om mulig, i riktig vinkel med arbeidsstykket.
4. Ikke endre driftsmodus mens hammeren er i gang.
5. Ikke påfør for mye trykk på verktøyet når meisling. Uttrykksfullhet fremskynder ikke arbeidet.

NOR

VEDLIKEHOLD

Ta ut støpselet fra stikkkontakten før du foretar justeringer, service eller vedlikehold.

Det er ingen brukernyttige deler i det elektriske verktøyet. Bruk aldri vann eller kjemiske rensmidler for å rense verktøyet.

Tørk av med en tørr klut. Du må alltid lagre verktøyet på en tørr plass. Hold alltid motorens ventilasjonskanaler rene. Hold alle betjeningskontrollene fri for støv. Hvis du ser gnister i ventilasjonskanalene, er dette normalt og vil ikke skade verktøyet.

Hvis den medfølgende ledningen er beskadiget må den erstattes av produsenten, serviceagenten eller andre kvalifiserte personer for å unngå risiko.

FEILSØKING

1. Hvis elektroverktøyet ikke starter, kontrollerer du strømpluggen først.
2. Hvis hammeren blir for varm i bruk, setter du hammerbryteren til bormodus og lar boret gå med en maksimal hastighet på 2 minutter uten belastning.
3. Hvis hammeren er for effektiv, tilsett nok fett til fettboksen.
4. Hvis hammeren er ineffektiv, må du kontrollere at verktøyet er for sløvt.
5. Hvis feilen ikke kan korrigeres, returnerer du verktøyet til en autorisert forhandler for reparasjon.

NOR

MILJØVERNILTAK



Avfall etter elektriske produkter må ikke legges sammen med husholdningsavfall. Vennligst resirkuler avfallet der dette finnes. Undersøk hos de lokale myndighetene eller en detaljist for resirkuleringsråd.

SAMSVARSERKLÆRING

Vi,
POSITEC Germany GmbH
Postfach 32 02 16, 50796 Cologne, Germany

Erklærer at produktet
Beskrivelse **Roterende hammer**
Type **DX27 (27-betegner maskin, angir Roterende hammer)**
Funksjon **Hamre forskjellige materialer**

Samsvarer med følgende direktiver,
2006/42/EC,
2011/65/EU&(EU)2015/863,
2014/30/EU

Standardene samsvarer med
EN 62841-1, EN IEC 62841-2-6, EN IEC 55014-1,
EN IEC 55014-2, EN IEC 61000-3-2, EN 61000-3-3

Personen som er autorisert til å utarbeide den tekniske filen,

Navn: Marcel Filz
Adresse: Positec Germany GmbH
Postfach 32 02 16, 50796 Cologne, Germany



2022/11/22

Allen Ding
Visesjefsingeniør, Testing og Sertifisering
Positec Technology (China) Co., Ltd
18, Dongwang Road, Suzhou Industrial
Park, Jiangsu 215123, P. R. China

ORIGINAL DRIFTSINSTRUKS GENERELLE ADVARSLER I FORBINDELSE MED MASKINVÆRKTØJ

 **ADVARSEL!** Læs samtlige anvisninger. Manglende overholdelse af nedenstående advarsler henviser til dit eldrevne (med ledning) eller batteridrevne (uden ledning) værktøj.

Gem alle advarsler og instruktioner for fremtidig reference.

Udtrykket "elværktøj" i nedenstående advarsler henviser til dit eldrevne (med ledning) eller batteridrevne (uden ledning) værktøj.

1. ARBEJDSOMRÅDE

- Sørg for, at arbejdsområdet er rent og godt oplyst. Rodede arbejdsområder kan forårsage personskade.
- Anvend ikke elværktøj i eksplosive atmosfærer, f.eks. i nærheden af brændbare væsker, gasser eller støv. Elværktøj frembringer gnister, der kan antænde støv eller dampe.
- Hold børn og tilskuere på afstand, når elværktøjet bruges. Hvis du bliver distraheret, kan du miste kontrollen over værktøjet.

2. ELSIKKERHED

- Elværktøjets stik skal svare til stikkontakten. Du må ikke ændre stikket på nogen måde. Brug ikke adapterstik til elværktøj med jordforbindelse. Hvis du bruger værende stik og stikkontakter, der passer til stikkene, mindskes risikoen for elektrisk stød.
- Undgå at røre ved overflader med jordforbindelse, f.eks. rør, radiatorer, komfurer og køleskabe. Risikoen for elektrisk stød øges, hvis din krop får jordforbindelse.
- Brug ikke elværktøj i våde eller fugtige omgivelser. Hvis der trænger vand ind i elværktøjet, øges risikoen for elektrisk stød.
- Undgå at udsætte ledningen for overlast. Bær ikke værktøjet i ledningen, og træk ikke i ledningen, når du tager stikket ud af stikkontakten. Hold ledningen væk fra varme, olie, skarpe kanter og bevægelige dele. Beskadigede eller filtrede ledninger øger risikoen for elektrisk stød.
- Brug altid forlængerledninger til udendørs brug, når du anvender værktøjet udendørs. Risikoen for elektrisk stød mindskes, hvis forlængerledningen er egnet til udendørs brug.
- Hvis det elektriske værktøj anvendes i fugtige omgivelser, skal der ubetinget anvendes en strømforsyning, der er beskyttet mod reststrøm. Det mindsker risikoen for elektrisk stød.

3. PERSONLIG SIKKERHED

- Vær opmærksom, hold altid øje med værktøjet, og brug din sunde fornuft ved brug af elværktøjet. Brug ikke elværktøjet, hvis du er træt eller påvirket af narkotika, alkohol eller medicin. Et øjeblik koncentrationssvigt ved brug af elværktøj kan medføre alvorlig personskade.
- Brug beskyttelsesudstyr. Brug altid sikkerhedsbriller. Sikkerhedsudstyr som støvmaske, skridsikre sikkerhedssko, sikkerhedshjelm eller høreværn mindsker risikoen for personskade.
- Undgå at starte utilsigtet. Kontroller, at kontakten står i stillingen OFF, inden udstyret tilsættes en strømkilde og/eller batteripakke, samles op eller transporteres. Hvis du bærer elværktøj med fingeren på afbryderen eller sætter stikket i stikkontakten, mens afbryderen er tændt, er der risiko for ulykker.
- Fjern justeringsnøgler og lignende fra elværktøjet, før du tænder det. Justeringsnøgler, der sidder på elværktøjets roterende dele, kan resultere i personskade.
- Undgå at række for langt. Sørg for at have et godt fodfæste og

underlag. Det giver bedre kontrol over elværktøjet i uventede situationer.

- Vær korrekt påklædt. Undlad at bære løstsiddende tøj eller smykker. Hold hår, tøj og handsker på afstand af de bevægelige dele. Løstsiddende tøj, smykker eller langt hår kan blive fanget af de bevægelige dele.
- Hvis værktøjet leveres med støvpose og adapter til støvudsugning, skal du kontrollere, at delene er tilsuttet korrekt. Disse enheder mindsker risikoen for skader på grund af støv.
- Selvom du kender værktøjet godt og er vant til at bruge det, skal du alligevel være opmærksom og overholde sikkerhedsanvisningerne. Et øjeblik upmærksomhed kan medføre alvorlige personskader.

4. BRUG OG VEDLIGEHOLDELSE AF ELVÆRKTØJ

- Undlad at presse elværktøjet. Brug det korrekte elværktøj til opgaven. Du opnår en bedre og mere sikker drift, hvis du anvender det korrekte elværktøj ved den anbefalede hastighed.
 - Undlad at bruge elværktøjet, hvis afbryderen ikke slår værktøjet til og fra. Elværktøj, der ikke kan kontrolleres ved hjælp af afbryderen, er farligt og skal repareres.
 - Træk stikket på værktøjet ud fra strømkilden og/eller batteripakken, inden der foretages justeringer, udsifting af dele eller opbevaring af værktøjet. Disse forholdsregler mindsker risikoen for utilsigtet start af elværktøjet.
 - Opbevar elværktøj utilgængelig for børn, og lad aldrig personer, der ikke er fortrolige med elværktøjet eller disse anvisninger, bruge elværktøjet. Elværktøj er farligt, hvis det bruges forkert.
 - Vedligehold elværktøjet. Kontrollér, om de bevægelige dele er korrekt justeret eller går tungt, om dele er gået i stykker og enhver anden tilstand, som kan påvirke elværktøjets funktion. Hvis elværktøjet er beskadiget, skal det repareres inden brug. Mange ulykker forårsages af dårligt vedligeholdt elværktøj.
 - Hold værktøjet skarpt og rent. Korrekt vedligeholdt elværktøj med skarpe klinger sætter sig ikke fast og er nemmere at kontrollere.
 - Brug elværktøjet, tilbehøret og eventuelle bits i henhold til disse anvisninger og på en passende måde for den pågældende type elværktøj. Tag altid højde for arbejdsomgivelserne og den forhåndenværende opgave. Hvis elværktøjet bruges til andre opgaver end den, det er beregnet til, kan det medføre farlige situationer.
 - Hold håndtag og gribeblader tørre, rene og fri for olie og smørefedt. Hvis håndtag og gribeblader er glatte, kan værktøjet ikke håndteres og styres sikkert, hvis der sker noget uventet.
- 5) SERVICE
- Service på elværktøjet skal udføres af en autoriseret reparatør ved hjælp af originale reservedele. Dette sikrer, at elværktøjet er sikkert at bruge.

YDERLIGERE IKKERHEDSFORANSTALTNINGER FOR DIN BOREHAMMER

- Bær høreværn. Støj kan medføre tab af hørelse.
- Brug de støttehåndtag, der medfølger værktøjet. Hvis du mister kontrollen, kan det medføre personskade.
- Hold elværktøjet i de isolerede håndgreb, når du udfører opgaver, hvor værktøjet kan komme i kontakt med skjulte

elledning eller sin egen ledning. Hvis værktøjet rammer en strømførende ledning, bliver dets elektriske dele også strømførende, hvilket kan give brugeren elektrisk stød.

4. Bær støvmaske.

SYMBOLER



For at undgå risikoen for personskader skal brugeren læse brugervejledningen



Advarsel



Bær høreværn



Bær øjenværn



Bær støvmaske



Isolationsklasse



Affald af elektriske produkter må ikke bortskaffes sammen med husholdningsaffald. Indlever så vidt muligt produktet til genbrug. Kontakt de lokale myndigheder eller forhandleren, hvis du er i tvivl.

KOMPONENTLISTE

1. STØVBESKYTTELSKAPPE
2. VÆRKTØJSHOLDER LÅSEHULSE
3. DYBDEMÅLER
4. FUNKTION SKIFTE
5. STØDFAST HÅNDTAG
6. TÆND /SLUK KONTAKT
7. VARIABEL HASTIGHEDSKONTROL
8. HJÆLPEHÅNDTAG
9. STØVDÆKSEL

Ikke alt tilbehør, der er vist eller beskrevet, er inkluderet i standardleveringen.

TEKNISKE DATA

Type DX27 (27-betegnelse af maskiner, repræsentativ for borehammer)

		DX27
Spænding		220-240V~50/60Hz
Strømindgang		1500W
Indlæsningshastighed		0-920 /min
Slagtal		0-3700/min
Energi indvirkning		5.0J
Borepatron typen		SDS-Plus
Maks. Borekapacitet	Stål	13mm
	murværk	32mm
	Træ	40mm

Beskyttelsesklasse	□/II
Maskinens vægt	5.7kg

STØJINFORMATION

A-vægtet lydtryksniveau	L_{pA} : 93,3 dB (A)
K_{pA} =	3 dB(A)
A-vægtet lydeffektniveau	L_{wA} : 104,3 dB (A)
K_{wA} =	3 dB(A)
Bær høreværn.	

VIBRATIONSINFORMATION

Vibration total values (triax vector sum) determined according to EN 62841:	
Slagboring i beton	Værdi for vibration: $a_{h,p} = 8,35 \text{ m/s}^2$
	Usikkerhed $K = 1,5 \text{ m/s}^2$
Mejsling	Værdi for vibration: $a_{h,p} = 7,68 \text{ m/s}^2$
	Usikkerhed $K = 1,5 \text{ m/s}^2$

DK

Den deklarerede samlede vibrationsværdi og den deklarerede støjemissionsværdi er målt i overensstemmelse med a standard testmetode og kan bruges til at sammenligne et værktøj med et andet.

Den deklarerede samlede vibrationsværdi og den deklarerede støjemissionsværdi kan også anvendes i en foreløbig vurdering af eksponering.



ADVARSEL: Vibrationsværdien under den faktiske brug af maskinværktøjet kan afvige fra den opgivne værdi afhængigt af måderne, værktøjet benyttes på. Se følgende eksempler på, hvad vibrationerne kan afhænge af:

Hvordan værktøjet bruges og materialerne, der skæres eller bores i.

Værktøjets stand og vedligeholdelse.

Anvendelse af korrekt tilbehør og kontrol med, at det er skarpt og i en i det hele taget god tilstand.

Hvor kraftigt, der holdes fast i håndtaget og, om der benyttes antivibrationsudstyr.

Om værktøjet anvendes i henhold til dets konstruktion og nærværende anvisninger.

Værktøjet kan medføre et hånd/arm-vibrationssyndrom, hvis det ikke bruges på rigtig måde.



ADVARSEL: En vurdering af udsættelsesgraden under det aktuelle brug skal omfatte alle dele af arbejdszyklusen, herunder antallet af gange værktøjet slås til og fra, og tomgangsdriften uden for selve arbejdsopgaven. Dette kan afgørende reducere udsættelsesniveauet i den samlede arbejdsperiode.

Sådan kan du minimere risikoen for udsættelse for vibrationer:

Brug **ALTID** skarpe mejsler, bor og blade.

Vedligehold værktøjet i overensstemmelse med disse instruktioner og hold det korrekt smurt.

Hvis værktøjet bruges ofte, bør du anskaffe antivibrationsudstyr.

Planlæg dit arbejde, så du kan fordele arbejde med kraftige vibrationer over flere dage.

TILBEHØR

Hjælpehåndtag	1
Dybde marker	1
Støvdæksel	1

Vi anbefaler, at du køber tilbehør fra den butik, hvor værktøjet sælges. Se tilbehørspakken for flere detaljer. Butikspersonale kan hjælpe og rådgive dig.

BRUGSANVISNING



BEMÆRK: Læs brugsanvisningen omhyggeligt, inden du bruger værktøjet.

MULIG ANVENDELSE

Denne maskine er velegnet til boring af hammer og let mejsling af beton, mursten og sten. Det er også velegnet til ujævn boring i træ, metal, keramik og plast.

SAMLING

1. JUSTER HJÆLPEHÅNDTAGET (SE FIGUR A)

For din egen sikkerheds skyld, anbefaler vi at bruge hjælpehåndtaget hele tiden.

Drej håndtaget på hjælpehåndtaget mod uret, for at løsne klemmeringen. Skub klemmeringen af hjælpehåndtaget henover håndtagets krave på hammeren og drej håndtaget rundt om kraven indtil håndtaget er i den ønskede arbejdsstilling. Drej håndtaget med uret for at stramme hjælpehåndtaget på plads.



ADVARSEL: Der skal bruges et hjælpehåndtag under drift.

2. INSTALLERING AF DYBDEMÅLEREN B)

Dybdemåleren kan bruges til at indstille en konstant dybde for hammeren.

Drej låseskruen (a) på toppen af hjælpehåndtaget mod uret, for at løsne, sæt dybdemåleren ind i hullet på håndtaget. Flyt det til det ønskede sted. Drej låseskruen med uret for at stramme.

3. ISÆTTELSE OG FJERNELSE AF BOREBITS (MEDFØLGER IKKE) (SE FIGUR C)

Pas på ikke at beskadige støvkappen, når du skifter værktøj.

- INDSÆTNING

Rengør og olie boret inden isætning. Træk låsemantcheten på boreholderen tilbage, og indsæt det støvfrie bor i boreholderen med en drejet bevægelse, indtil den låser.

Boret låser sig selv. Kontroller låsen ved at trække i værktøjet.

- AFTAGNING

Træk låsehylsteret på skærehovedholderen tilbage, og træk skærehovedet ud.



ADVARSEL: Din nye KRESS rotationshammer genererer kraftig kraft til at få dit arbejde hurtigt og effektivt.

Disse kræfter kan forårsage, at underordnede

SDS-stykker bryder sammen og fastklemmer i chucken. Derfor anbefaler vi, at dette værktøj kun bruger SDS-bits af høj kvalitet.

OPERATING

1. TÆND / SLUK KONTAKT (SE FIGUR. C) D)

Tryk på tænd / sluk-knappen for at starte og slippe den for at stoppe værktøjet.

2. VARIABEL HASTIGHEDSKONTROL (SE FIGUR E)

Med den variable hastighedskontrol, kan den ønskede hastighed vælges (også mens den er i brug)

Den krævede hastighed afhænger af materialet og kan bestemmes ved en praktisk test.

3. STØDFAST HÅNDTAG

Anti-vibrationshåndtaget reducerer vibration og gør brugen mere komfortabel og sikker.

4. STØVDÆKSEL (SE FIGUR F)

For du borer, sættes støvdækslet over boret.

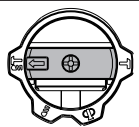


ADVARSEL: Benyt altid øjenbeskyttelse med dette stykke værktøj.

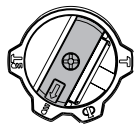
5. VALG AF FUNKTIONSMODUS (SE FIGUR. G)

Brug funktionsvælgerhjulet til at indstille gearkassedrift til hver applikation. For at skifte mellem funktioner skal du trykke på oplåsningsknappen (a) og dreje vælgeren til den ønskede driftstilstand.

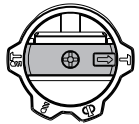
BEMÆRK: Herefter drejes til den ønskede position, flyt vælgeren til venstre eller højre en smule, for at tjekke om vælgeren er låst i positionen.



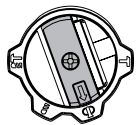
Konkret, muret måde at bore og påvirke samtidig



Boremotoder til stål, træ og plast



Mønster eller chiselvalg



Tilstand til justering af vinklen på mejslens chuck
BEMÆRK: Vælg først den funktionstilstand "CD" og juster den skrå vinkel i den ønskede retning. Vælg derefter "T", til funktionstilstand og udfør mejslearbejde.



ADVARSEL: Betjeningsindstillingsvælgerkontakten kan kun betjenes i stilstand.

ARBEJDSTIPS TIL DIN VÆRKTØJ

1. Når borkronen er ved at sprænge, skal du reducere dens tryk. Dette forhindrer, at borekronen sidder fast.
2. Når du borer et stort hul, skal du først bruge en mindre bit til at bore et pilot hul.
3. Tryk altid på boret i en lige linje og, hvis muligt, i rette vinkler på emnet.
4. Du må ikke ændre driftsform under borearbejdet.
5. Brug ikke for stort tryk på værktøjet, mens der er mejslet. Ekspressivitet fremskynder ikke arbejdet.

VEDLIGEHOOLDELSE

Træk stikket ud af stikkontakten, inden der udføres nogen form justering, service eller vedligeholdelse.

Der er ingen dele, der kan brugerserviceres i dit el-værktøj. Brug aldrig vand eller kemiske rengøringsmidler til rengøring. Må kun rengøres med en tør klud. Opbevares på et tørt sted. Hold motorens ventilationsåbninger rene. Knapperne o.l. skal være rene og frie for støv. Det er helt normalt, at der kan forekomme gnister i ventilationsåbningerne, og det vil ikke beskadige din multisaav.

Hvis elledningen beskadiges, skal den udskiftes af producenten, dennes servicerepræsentant eller anden kvalificeret fagmand for at undgå, at der opstår farlige situationer.

FEJLFINDING

1. Hvis dit elværktøj ikke vil starte, bør du først undersøge stikket på strømforsyningen.
2. Hvis din hammer bliver for varm ved brug, skal du ændre hammerkontakten til boretilstand og lade dit bór køre ved højeste hastighed uden belastning i 2 minutter.
3. Hvis din hammer fungerer med for lav effektivitet, bedes du tilføje nok smørelse til smøreboksen.
4. Hvis din hammer har lav effektivitet, bør du tjekke om redskabet er stumpet.
5. Hvis en fejl ikke kan rettes, returneres redskabet til en autoriseret forhandler, for at blive repareret.

MILJØBESKYTTELSE



Affald af elektriske produkter må ikke bortskaffes sammen med husholdningsaffald. Indlever så vidt muligt produktet til genbrug. Kontakt de lokale myndigheder eller forhandleren, hvis du er i tvivl.

KONFORMITETSERKLÆRING

Vi,
POSITEC Germany GmbH
Postfach 32 02 16, 50796 Cologne, Germany

erklærer herved, at produktet
Beskrivelse **Rotationshammer**
Type **DX27 (27-udpegning af maskiner, repræsentant for Rotationshammer)**
Funktioner **Hamring af forskellige materialer**

er i overensstemmelse med følgende direktiver,
2006/42/EC,
2011/65/EU&(EU)2015/863,
2014/30/EU

Standarder i overensstemmelse med
EN 62841-1, EN IEC 62841-2-6, EN IEC 55014-1,
EN IEC 55014-2, EN IEC 61000-3-2, EN 61000-3-3

Personen, autoriseret til at udarbejde den tekniske fil,
Navn: Marcel Filz
Adresse: Positec Germany GmbH
Postfach 32 02 16, 50796 Cologne, Germany



DK

2022/11/22
Allen Ding
Vicechef, Ingeniør, Test & Certificering
Positec Technology (China) Co., Ltd
18, Dongwang Road, Suzhou Industrial
Park, Jiangsu 215123, P. R. China

INSTRUKCJA ORYGINALNA OGÓLNE OSTRZEŻENIA DOTYCZĄCE BEZPIECZEŃSTWA PODCZAS PRACY Z ELEKTRONARZĘDZIAMI



UWAGA: Przeczytaj wszystkie ostrzeżenia, instrukcje, ilustracje i specyfikacje dostarczone z elektronarzędziem.

Błędy w przestrzeganiu następujących przepisów mogą spowodować porażenie prądem, pożar i/lub ciężkie obrażenia ciała.

Należy dobrze przechowywać te przepisy.

Użyte w dalszej części pojęcie „elektronarzędzie” odnosi się do elektronarzędzi napędzanych prądem (z kablem zasilającym) i do elektronarzędzi napędzanych akumulatorami (bez kabla zasilającego).

1. MIEJSCE PRACY

- a) **Miejsce pracy należy utrzymywać w czystości i dobrze oświetlone.** Nieporządek i nie oświetlane zakresy pracy mogą doprowadzić do wypadków.
- b) **Nie należy pracować tym narzędziem w otoczeniu zagrożonym wybuchem, w którym znajdują się np. łatwopalne ciecze, gazy lub pyły.** Elektronarzędzia wywołują iskry, które mogą podpalić ten pył lub parę.
- c) **Elektronarzędzie trzymać podczas pracy z daleka od dzieci i innych osób.** Przy odwróceniu uwagi można stracić kontrolę nad narzędziem.

2. BEZPIECZEŃSTWO ELEKTRYCZNE

- a) **Wtyczka urządzenia musi pasować do gniazda. Nie wolno zmieniać wtyczki w jakikolwiek sposób. Nie należy używać wtyczek adapterowych razem z uzziemionymi narzędziami.** Niezmienione wtyczki i pasujące gniazda zmniejszają ryzyko porażenia prądem.
- b) **Należy unikać kontaktu z uzziemionymi powierzchniami jak rury, grzejniki, piece i lodówki.** Istnieje zwiększone ryzyko porażenia prądem, gdy Państwa ciało jest uzziemione.
- c) **Urządzenie należy trzymać zabezpieczone przed deszczem i wilgocią.** Wniknięcie wody do elektronarzędzia podwyższa ryzyko porażenia prądem.
- d) **Nigdy nie należy używać kabla do innych czynności. Nigdy nie używać kabla do noszenia urządzenia za kabel, zawieszenia lub do wyciągania wtyczki z gniazda. Kabel należy trzymać z daleka od wysokich temperatur, oleju; ostrych krawędzi lub ruchomych części urządzenia.** Uszkodzone lub poplątane kable zwiększają ryzyko porażenia prądem.
- e) **W przypadku, że elektronarzędziem pracuje się na świeżym powietrzu należy używać kabla przedłużającego, który dopuszczony jest do używania na zewnątrz.** Użycie dopuszczonego do używania na zewnątrz kabla przedłużającego zmniejsza ryzyko porażenia prądem.
- f) **Jeśli nie można uniknąć posługiwania**

się elektronarzędziem w miejscu o dużej wilgotności należy użyć zabezpieczonego zasilacza domowego (RCD). Stosowanie RCD zmniejsza ryzyko porażenia prądem elektrycznym.

3. BEZPIECZEŃSTWO OSÓB

- a) **Należy być uważnym, zważać na to co się robi i pracę elektronarzędziem rozpoczynając z rozsądkiem. Nie należy używać urządzenia gdy jest się zmęczonym lub pod wpływem narkotyków, alkoholu lub lekarstw.** Moment nieuwagi przy użyciu urządzenia może doprowadzić do poważnych obrażeń ciała.
- b) **Należy nosić osobiste wyposażenie ochronne i zawsze okulary ochronne.** Noszenie osobistego wyposażenia ochronnego jak maska przeciwpyłowa, nie ślizgające się buty robocze, hełm ochronny lub ochrona słuchu, w zależności od rodzaju i użycia elektronarzędzia zmniejsza ryzyko obrażeń ciała.
- c) **Należy zapobiec przypadkowemu uruchomieniu. Przed podłączeniem do sieci zasilającej i/lub zestawu baterii, podniesieniem urządzenia i przenoszeniem urządzenia należy sprawdzić, czy przełącznik znajduje się w pozycji wyłączenia.** W przypadku, że przy noszeniu urządzenia trzyma się palec na włączniku/wyłączniku lub włączone urządzenie podłączone zostanie do prądu, to może to doprowadzić do wypadków.
- d) **Zanim urządzenie zostanie włączone należy usunąć narzędzia nastawcze lub klucze.** Narzędzie lub klucz, które znajdują się w ruchomych częściach urządzenia mogą doprowadzić do obrażeń ciała.
- e) **Nie należy przeceniać swoich możliwości. Należy dbać o bezpieczną pozycję pracy i zawsze utrzymywać równowagę.** Przez to możliwa jest lepsza kontrola urządzenia w nieprzewidywanych sytuacjach.
- f) **Należy nosić odpowiednie ubranie. Nie należy nosić luźnego ubrania lub biżuterii. Włosy, ubranie i rękawice należy trzymać z daleka od ruchomych części.** Luźne ubranie, biżuteria lub długie włosy mogą zostać ujęte przez poruszające się części.
- g) **W przypadku, że możliwe jest zamontowanie urządzeń odsysających lub podchwytyjących należy upewnić się, czy są one właściwie podłączone i prawidłowo użyte.** Użycie tych urządzeń zmniejsza zagrożenie spowodowane pyłami.
- h) **Częste używanie urządzenia i rutyna może osłabić twoją uwagę i być przyczyną niedotrzymywania zasad bezpieczeństwa.** Nieuważne działanie może spowodować poważne szkody w ułamku sekundy.

4. STARANNE OBCOWANIE ORAZ UŻYCIE ELEKTRONARZĘDZIA

- a) **Nie należy przeciążać urządzenia. Do pracy używać należy elektronarzędzia, które jest do tego przewidziane.** Odpowiednim narzędziem pracuje się lepiej i bezpieczniej w podanym zakresie sprawności.
- b) **Nie należy używać elektronarzędzia, którego włącznik/wyłącznik jest uszkodzony.** Elektronarzędzie, którego nie można włączyć lub wyłączyć jest niebezpieczne i musi zostać naprawione.

- c) **Należy odłączyć wtykę od źródła zasilania i/lub zestawu baterii, przed wykonaniem jakichkolwiek regulacji, zmiany akcesoriów lub podczas przechowywania elektronarzędzi.** *Ten środek ostrożności zapobiega niezamierzonemu włączeniu się urządzenia.*
- d) **Nie używane elektronarzędzia należy przechowywać poza zasięgiem dzieci. Nie należy dać narzędzia do użytku osobom, które jego nie znają lub nie przeczytały tych przepisów.** *Używane przez niedoświadczonych osoby elektronarzędzia są niebezpieczne.*
- e) **Urządzenie należy pieczołowicie pielęgnować. Należy kontrolować, czy ruchome części urządzenia funkcjonują bez zarzutu i nie są zablokowane, czy części nie są pęknięte lub uszkodzone, co mogłoby mieć wpływ na prawidłowe funkcjonowanie urządzenia. Uszkodzone części należy przed użyciem urządzenia oddać do naprawy.** *Wiele wypadków spowodowanych jest przez niewłaściwą konserwację elektronarzędzi.*
- f) **Narzędzia tnące należy utrzymywać ostre i czyste.** *Starannie pielęgnowane narzędzia tnące z ostrymi krawędziami tnącymi zablokują się rzadziej i łatwiej się je prowadzi.*
- g) **Elektronarzędzia, osprzęt, narzędzia itd. należy używać odpowiednio do tych przepisów i tak, jak jest to przewidziane dla tego specjalnego typu urządzenia. Uwzględnić należy przy tym warunki pracy i czynność do wykonania.** *Użycie elektronarzędzi do innych niż przewidziane prace może doprowadzić do niebezpiecznych sytuacji.*
- h) **Uchwyty oraz powierzchnie elementów obsługi urządzenia utrzymywać suche, czyste, bez oleju i smaru.** *Śliskie uchwyty oraz inne powierzchnie stanowią przeszkodę w bezpiecznej obsłudze i kontroli nad narzędziem w nieoczekiwanych sytuacjach.*
5. **SERWIS**
- a) **Naprawę urządzenia należy zlecić jedynie kwalifikowanemu fachowcowi i przy użyciu oryginalnych części zamiennych.** *To gwarantuje, że bezpieczeństwo urządzenia zostanie zachowane.*

WSKAZÓWKI DOTYCZĄCE BEZPIECZEŃSTWA PRACY Z MŁOTAMI

- 1) **Instrukcje bezpieczeństwa dla wszystkich operacji**
- a) **Używać ochrony słuchu z wiertarkami udarowymi.** *Hałas może spowodować utratę słuchu.*
- b) **Używać dodatkowych uchwytów dostarczonych wraz z narzędziem.** *Utrata kontroli może spowodować obrażenia ciała.*
- c) **Jeśli narzędzie tnące może mieć kontakt z ukrytym okablowaniem, podczas działania narzędzie należy trzymać za izolowane powierzchnie.** *Kontakt z "aktywnym" okablowaniem może także spowodować obrażenia metalowych elementów i porażenie operatora prądem elektrycznym.*
- 2) **Instrukcje bezpieczeństwa podczas używania**

- a) **Zawsze rozpoczynaj wiercenie z małą prędkością i z końcówką wiertła stykającą się z obrabianym przedmiotem.** *Przy wyższych prędkościach wiertło może się wygiąć, jeśli pozwoli się mu swobodnie obracać bez kontaktu z obrabianym przedmiotem, powodując obrażenia ciała.*
- b) **Dociskać tylko bezpośrednio z wiertłem i nie stosować nadmiernego nacisku.** *Końcówki mogą się wyginać, powodując złamanie lub utratę kontroli, co może prowadzić do obrażeń ciała.*

DODATKOWE ZASADY BEZPIECZEŃSTWA DLA MŁOTA

1. **Używać maski przeciwpyłowej.**

SYMBOLE



Aby zmniejszyć niebezpieczeństwo odniesienia obrażeń, użytkownik powinien przeczytać podręcznik z instrukcjami



OSTRZEŻENIE



Używać ochrony słuchu



Używać ochrony wzroku



Używać maski przeciwpyłowej



Podwójna izolacja



Odpady wyrobów elektrycznych nie powinny być wyrzucane razem z odpadami gospodarstwa domowego. Należy korzystać z recyklingu, jeśli istnieje odpowiednia infrastruktura. Porady dotyczące recyklingu można uzyskać u władz lokalnych lub sprzedawcy detalicznego.

LISTA KOMPONENTÓW

1. OSŁONA PRZECIWPYŁOWA
2. BLOKADA UCHWYTU NARZĘDZIA
3. WSKAŹNIK GŁĘBOKOŚCI
4. POKRĘTŁO WYBORU TRYBU PRACY
5. ODPORNY NA WSTRZĄSY UCHWYT
6. PRZEŁĄCZNIK WŁĄCZ / WYŁĄCZ
7. REGULACJA PRĘDKOŚCI OBROTOWEJ
8. UCHWYT POMOCNICZY
9. POKRYWA PRZECIWPYŁOWA

Nie wszystkie przedstawione lub opisane akcesoria znajdują się w standardowym zestawie.

TECHNICZNE DANE

Typ DX27 (27 - oznaczenie maszyny, reprezentujące młot obrotowy)

Woltaż	220-240V~50/60Hz	
Wejście zasilania	1500W	
Prędkość bez obciążenia	0-920 /min	
Współczynnik uderzenia	0-3700/min	
Energia uderzenia	5.0J	
Rodzaj collet	SDS-Plus	
Maksymalna wydajność wiercenia	Stal	13mm
	Kamieniarstwo	32mm
	Drewno	40mm
Klasa ochrony	□ /II	
Ciężar maszyny	5.7kg	

INFORMACJE O HAŁASIE

Ważone ciśnienie akustyczne	L_{pA} : 93,3 dB (A)
K_{pA} =	3 dB(A)
Ważona moc akustyczna	L_{wA} : 104,3 dB (A)
K_{wA} =	3 dB(A)
Używać ochrony słuchu	

INFORMACJE WIBRACJE

Łączne wartości vibracji, określone według EN 62841:	
Wiercenie z funkcją młota w betonie	Wartość emisji vibracji: $a_{h,p} = 8,35 \text{ m/s}^2$
	Niepewność $K = 1,5 \text{ m/s}^2$
Dłutowanie	Wartość emisji vibracji: $a_{h,p} = 7,68 \text{ m/s}^2$
	Niepewność $K = 1,5 \text{ m/s}^2$

Deklarowaną całkowitą wartość drgań i deklarowaną wartość emisji hałasu zostały zmierzone zgodnie ze standardową metodą testową i mogą być wykorzystane do porównania jednego narzędzia z drugim.

Deklarowaną całkowitą wartość drgań i deklarowaną wartość emisji hałasu można również wykorzystać we wstępnej ocenie narażenia.

⚠ Ostreżenie: Emisja vibracji i hałasu podczas rzeczywistego użytkowania elektronarzędzia może różnić się od wartości deklarowanej w zależności od sposobu użytkowania narzędzia, a zwłaszcza rodzaju obrabianego przedmiotu, w zależności od poniższych przykładów i innych wariantów użytkowania narzędzia.
Jak używane jest narzędzie oraz, czy materiał jest cięty czy wiercony.

Czy narzędzie jest w dobrym stanie i czy jest prawidłowo konserwowane.
Czy używane są prawidłowe akcesoria narzędzia i czy narzędzie jest właściwie naostrzone oraz w dobrym stanie.
Czy dokręcone są szczęki na uchwycie i czy używane są jakiegokolwiek akcesoria antybiracyjne.
Oraz, czy narzędzie jest używane zgodnie z przeznaczeniem i według instrukcji.

Nieprawidłowe prowadzenie tego narzędzia może spowodować syndrom wibracji rąk

⚠ Ostrzeżenie: Aby być dokładnym, oszacowanie poziomu narażenia w rzeczywistych warunkach użytkowania powinno również uwzględniać wszystkie części cyklu operacyjnego, takie jak czasy, kiedy narzędzie jest wyłączone i kiedy pracuje na biegu jałowym, ale faktycznie nie wykonuje pracy. Może to znacznie obniżyć poziom narażenia w całym okresie pracy.

Pomoc w minimalizacji narażenia na wibracje.

Należy ZAWSZE używać ostrych dłut, wiertel i ostrzy

Narzędzie należy konserwować z godnie z instrukcjami i prawidłowo smarować (w odpowiednich miejscach)

Jeśli narzędzie jest używane regularnie należy zakupić akcesoria antywibracyjne.

Należy zaplanować harmonogram pracy w celu rozłożenia używania narzędzi wytwarzających wysoki poziom drgań na kilka dni.

AKCESORIA

Uchwyt pomocniczy	1
Wskaźnik głębokości	1
Pokrywa przeciwpylowa	1

Zalecamy zakup akcesoriów wymienionych na powyższej liście w tym samym sklepie, w którym sprzedawane są narzędzia. Aby uzyskać więcej informacji, zobacz opakowanie akcesoriów. Personel sklepu może udzielić porady.

OPERACYJNY INSTRUKCJE



UWAGA: Przed użyciem narzędzia przeczytaj uważnie instrukcję obsługi.

Możliwe użycie

Narzędzie przeznaczone jest do wiercenia młotkowego w betonie, cegle i kamieniu oraz do lekkich prac dłutowania. Nadaje się również do wiercenia bez wpływu na drewno, metal, ceramikę i plastik.

MONTAŻ

1. WYREGULUJ UCHWYT POMOCNICZY (PATRZ RYS. A)

Dla Państwa osobistego bezpieczeństwa zalecamy korzystanie z uchwytu pomocniczego przez cały czas. Obróć rękojeść uchwytu pomocniczego w kierunku przeciwnym do ruchu wskazówek zegara, aby poluzować pierścień zaciskowy. Pierścień zaciskowy uchwytu pomocniczego nasuń na kolnierz rękojeści młota i obracaj rękojeścią wokół kolnierza, aż do uzyskania żądanej pozycji roboczej. Obróć uchwyt zgodnie z ruchem wskazówek zegara w celu dokręcenia uchwytu pomocniczego na odpowiednią pozycję.

⚠ OSTRZEŻENIE: Podczas pracy należy użyć dodatkowego uchwytu.

2. MONTAŻ GŁĘBOKOŚCIOMIERZA (PATRZ RYS. B)

Za pomocą głębokościomierza można ustawić stałą głębokość młota.

Obróć śrubę blokującą (a) na górze uchwytu pomocniczego w kierunku przeciwnym do ruchu wskazówek zegara, aby poluzować, włóż głębokościomierz do otworu w uchwycie. Przenieś go w żądane miejsce. Obróć śrubę blokującą w kierunku zgodnym z ruchem wskazówek zegara, aby dokręcić.

3. WKŁADANIE I WYJMOWANIE WIERTŁA (NIE WCHODZI W SKŁAD ZESTAWU) (PATRZ RYS. C)

Uważaj, aby nie uszkodzić osłony przeciwpylowej podczas wymiany narzędzi.

- Wstaw

Przed włożeniem wyczyść i nasmaruj siewnik. Wciągnij tuleję blokującą (a) uchwytu wiertła i włóż wiertło bezpyłowe do uchwytu wiertła w sposób skręcony, aż się zablokuje. Wiertło się zablokuje. Sprawdź blokadę, pociągając narzędzie.

- USUWANIE

Wciągnij tuleję blokującą uchwytu głowicy nożowej i wyciągnij głowicę nożową.

⚠ OSTRZEŻENIE: Twój nowy młot udarowo-obrotowy KRESS wytwarza potężną moc, aby szybko i wydajnie wykonać pracę. Siły te mogą powodować pęknięcie gorszych końcówek SDS i zacinanie się w uchwycie. Dlatego zalecamy, aby to narzędzie korzystało wyłącznie z wysokiej jakości bitów SDS.

DZIAŁANIE

1. PRZEŁĄCZNIK WŁĄCZ / WYŁĄCZ (PATRZ RYS. D)

Naciśnij włącznik / wyłącznik, aby uruchomić i zwolnij go, aby zatrzymać narzędzie.

2. REGULACJA PRĘDKOŚCI (PATRZ RYS. E)

Za pomocą regulatora prędkości można wybrać wymaganą prędkość (również podczas pracy).

Wymagana prędkość jest zależna od materiału i powinna być określona na podstawie próby praktycznej.

3. ODPORNY NA WSTRZĄSY UCHWYT

Uchwyt antywibracyjny redukuje wibracje, dzięki czemu praca jest bardziej komfortowa i bezpieczna.

4. POKRYWA PRZECIWPYLÓWA (PATRZ RYS. F)

Przed wierceniem należy założyć osłonę przeciwpylową na wiertło.

⚠ OSTRZEŻENIE: Zawsze ubieraj okulary ochronne podczas używania tego urządzenia.

5. WYBÓR TRYBU FUNKCJI (PATRZ RYS. G)

Użyj pokrętła wyboru funkcji, aby ustawić działanie skrzyni biegów dla każdej aplikacji. Aby przełączyć się między

funkcjami, naciśnij przycisk odblokowania (b) i obróć wybierak dożądanego trybu pracy.

UWAGA: Po obróceniu nażądaną pozycję przesuń pokrętkę wyboru w lewo lub w prawo, aby sprawdzić, czy pokrętkę zostało zablokowane.

	Tryb jednoczesnego wiercenia i uderzania w beton, Mur
	Tryb wiercenia lub wiercenia w stali, drewnie i tworzywach sztucznych
	Tryb lub wycinanie
	Tryb regulacji kąta uchwytu dłutowania UWAGA: Najpierw wybierz ten tryb "D" funkcji, i ustaw kąt uchwytu wżądanym kierunku. Następnie wybierz tryb "T", wykonaj pracę dłuta.

! OSTRZEŻENIE: Przełącznik wyboru trybu pracy można obsługiwać tylko podczas postoju.

WSKAZÓWKI DOTYCZĄCE PRACY Z NARZĘDZIEM

1. Zmniejsz nacisk na wiertło, gdy ma się ono przebić. Zapobiegnie to zakleszczaniu się wiertła
2. Podczas wiercenia dużego otworu należy najpierw wywiercić otwór pilotowy za pomocą mniejszego wiertła.
3. Zawsze należy wywierać nacisk na wiertło w linii prostej, a w miarę możliwości pod kątem prostym do obrabianego przedmiotu.
4. Nigdy nie należy zmieniać trybu pracy podczas pracy młotka obrotowego.
5. Nie należy wywierać nadmiernego nacisku na narzędzie podczas dłutowania. Użycie siły nie przyspieszy pracy.

KONSERWACJA

Przed dokonywaniem jakichkolwiek regulacji, obsługi technicznej lub konserwacji należy wyjąć wtyczkę z gniazdka. Narzędzie to nie wymaga żadnego dodatkowego smarowania czy konserwacji.


W narzędziu nie ma żadnych części, które wymagałyby serwisowania przez użytkownika. Nigdy nie należy używać wody czy środków czyszczących do czyszczenia narzędzia z napędem elektrycznym. Czyścić suchą szmatką. Zawsze należy przechowywać narzędzie w suchym miejscu. Utrzymywać w czystości otwory wentylacyjne silnika. Utrzymywać wszystkie urządzenia sterujące w czystości. Jeśli uszkodzony zostanie przewód zasilający, aby uniknąć

niebezpieczeństwa powinien zostać wymieniony przez producenta, przedstawiciela serwisu lub inną wykwalifikowaną osobę.

ROZWIĄZYWANIE PROBLEMÓW

1. Jeśli narzędzie elektryczne nie uruchamia się, należy najpierw sprawdzić wtyczkę w kontakcie.
2. Jeśli młotek jest zbyt gorący, należy ustawić przełącznik młota w tryb wiercenia i pozwolić mu pracować z maksymalną prędkością obrotową bez obciążenia przez 2 minuty.
3. Jeśli wydajność pracy młotka jest zbyt niska, należy dodać odpowiednią ilość smaru do smarownicy.
4. Jeżeli podczas używania młotka zauważymy, że ma on niską wydajność to należy sprawdzić, czy narzędzie nie jest tępe.
5. Jeśli usterki nie da się usunąć, należy oddać narzędzie do naprawy autoryzowanemu sprzedawcy.

OCHRONA ŚRODOWISKA

 Odpady wyrobów elektrycznych nie powinny być wyrzucane razem z odpadami gospodarstwa domowego. Należy korzystać z recyklingu, jeśli istnieje odpowiednia infrastruktura. Porady dotyczące recyklingu można uzyskać u władz lokalnych lub sprzedawcy detalicznego.

DEKLARACJA ZGODNOŚCI

Mj,
PÓSITEC Germany GmbH
Postfach 32 02 16, 50796 Cologne, Germany

deklarujemy, że produkt,
Opis **Młot obrotowy**
Typ **DX27 (27- oznaczenie strojov, zástupca vrtiace kladivo)**
Funkcja **zatłakani různých materiálův**

Jest zgodny z następującymi dyrektywami:
2006/42/EC,
2014/30/EU,
2011/65/EU&(EU)2015/863

Normy są zgodne z:
EN 62841-1, EN IEC 62841-2-6, EN IEC 55014-1,
EN IEC 55014-2, EN IEC 61000-3-2, EN 61000-3-3

Osoba upoważniona do kompilacji pliku technicznego,
Nazwa **Marcel Filz**
Adres **POSITEC Germany GmbH**
Postfach 32 02 16, 50796 Cologne, Germany



2022/11/22
Allen Ding
Zastępcą głównego inżyniera,
testowanie i certyfikacja Positec Technology (China) Co., Ltd
18, Dongwang Road, Suzhou Industrial
Park, Jiangsu 215123, P. R. China



ОРИГИНАЛНИ ИНСТРУКЦИИ БЕЗОПАСНОСТ НА ПРОДУКТА ОБЩИ ПРЕДУПРЕЖДЕНИЯ ЗА БЕЗОПАСНОСТ ЗА ЕЛЕКТРОИНСТРУМЕНТИ



ПРЕДУПРЕЖДЕНИЕ Прочетете всички предупреждения за безопасност, инструкции, илюстрации и спецификации, предоставени с този електроинструмент. Неспазването на всички посочени инструкции може да доведе до токов удар, пожар и/или сериозно нараняване.

Запазете всички предупреждения и инструкции за бъдеща справка.

Терминът „електроинструмент“ в предупрежденията се отнася за вашите електроинструменти, захранвани от мрежата (с кабел) или за електроинструментите, работещи с батерия (без кабел).

1. БЕЗОПАСНОСТ НА РАБОТНОТО МЯСТО

- a) **Поддържайте работното място чисто и добре осветено.** Разхвърляните или тъмни места предизвикват инциденти.
- b) **Не работете с електроинструменти в експлозивни атмосфери като например при наличие на запалими течности, газове или прах.** Електроинструментите произвеждат искри, които могат да запалят прах или изпарения.
- c) **Децата и наблюдателите трябва да стоят настрана, докато работите с електроинструмента.** Разсейването може да доведе до загуба на контрол.

2. Електрическа безопасност

- a) **Щепселите на електроинструментите трябва да съответстват на контактите. Никога не модифицирайте щепсела по никакъв начин. Не използвайте никакви адаптерни щепсели със заземени електроинструменти. Немодифицираните щепсели и подходящите контакти ще намалят риска от токов удар.**
 - b) **Избягвайте контакт на тялото със заземени повърхности, като тръби, радиатори, кухненски печки и хладилници.** Съществува повишен риск от токов удар, ако тялото ви бъде заземено.
 - c) **Не излагайте електроинструментите на дъжд или влажни условия.** Водата, навлизаща в електроинструмента, ще увеличи риска от токов удар.
 - d) **Не повреждайте кабела. Никога не използвайте кабела, за да носите, дърпате или изключвате електроинструмента. Дръжте кабела далеч от топлина, масло, остри ръбове или движещи се части.** Повредените или заплетени кабели повишават риска от токов удар.
 - e) **Когато работите с електроинструмент на открито, използвайте удължителен кабел, подходящ за употреба на открито. Употребата на кабел, подходящ за употреба на открито, намалява риска от токов удар.**
- f) **Ако е наложително да работите с електроинструмента във влажно място, използвайте защитно захранване с дефектнотокова защита (ДТЗ). Използването на ДТЗ намалява риска от токов удар.**
3. **Лична безопасност**
 - a) **Бъдете нащрек, внимавайте какво правите и използвайте здравия си разум, когато работите с електроинструмент. Не използвайте електроинструмент, когато сте изморени или под влияние на наркотици, алкохол или лекарства. Момент невнимание при работа с електроинструмент може да доведе до сериозни наранявания.**
 - b) **Използвайте лични предпазни средства.** Винаги носете защитни очила. Предпазните средства като прахова маска, предпазни обувки против пъзлазяне, каска или антифони, използвани за подходящите условия, ще намалят нараняванията.
 - c) **Предотвратяване на неволно стартиране. Уверете се, че превключвателят е в позиция изкл. (off), преди свързване към източник на захранване и/или батериен пакет, вземане или носене на инструмента. Носенето на електроинструменти с пръст върху превключвателя или енергизирането им при натиснат превключвател може да доведе до злополуки.**
 - d) **Отстранете всеки регулиращ ключ или гаечен ключ преди да включите инструмента. Гаечен ключ или друг ключ, прикрупен към въртяща се част на електроинструмента, може да доведе до наранявания.**
 - e) **Не дръжте инструмента твърде далече. Непрекъснато спазвайте подходящо положение и баланс. Това спомага за по-доброто управление на електроинструмента в непредвидени ситуации.**
 - f) **Носете подходящо облекло. Не носете широки дрехи или бижута. Дръжте косата и дрехите си далеч от движещите се части. Широките дрехи, бижута или дългата коса могат да бъдат захванати от движещите се части.**
 - g) **Ако са осигурени устройства за свързване на уреди за извличане и събиране на прах, уверете се, че те са свързани и се използват правилно. Използването на прахоуловители може да намали опасностите, свързани с праха.**
 - h) **Не позволявайте познването, придобито от честата употреба на инструменти, да ви позволи да изгубите бдителността си и да игнорирате принципите за безопасност на инструмента. Небрежно действие може да причини тежки наранявания в рамките на части от секундата.**
 4. **Използване и грижа за електроинструмента**
 - a) **Не претоварвайте електроинструмента. Използвайте правилния електроинструмент за вашите нужди.**

Правилният електроинструмент ще свърши работата по-добре и по-безопасно при скоростта, за която е проектиран.

- b) **Не използвайте електроинструмента, ако преключвателят не го включва и изключва.** Всеки електроинструмент, който не може да се управлява с преключвателя, е опасен и трябва да бъде ремонтиран.
 - c) **Изключете щепсела от източника на захранване и / или извадете батерийния пакет, ако се разглобява, от електроинструмента, преди да направите каквито и да е настройки, да смените аксесоарите или да съхранявате електроинструментите.** Подобни превантивни предпазни мерки намаляват риска от включване на електроинструмента по невнимание.
 - d) **Съхранявайте електроинструментите на място, недостъпно за деца, и не позволявайте на лица, които не са запознати с електроинструмента или с тези инструкции, да работят с електроинструмента.** Електроинструментите са опасни в ръцете на необучени потребители.
 - e) **Грижете се за електроинструментите и аксесоарите.** Проверявайте за неправилно подравняване или свързване на движещите се части, счупване на части и всякакви други състояния, които могат да повлияят на работата на електроинструмента. При повреда, ремонтирайте инструмента преди употреба. Много злополуки са причинени от лошо поддържани електроинструменти.
 - f) **Поддържайте режещите инструменти остри и чисти.** Правилно поддържаните режещи инструменти с остри режещи ръбове е по-малко вероятно да засичат при работа и са по-лесни за управление.
 - g) **Използвайте електроинструментите, аксесоарите и резците според настоящите инструкции, като отчитате условията на работа и работата, която трябва ще се извършва.** Употребата на електроинструмента за операции, различни от тези, за които е предназначен, може да доведе до опасни ситуации.
 - h) **Пазете дръжките и захващащите повърхности сухи, чисти и без следи от масло и смазка.** Хлъзгавите дръжки и захващащи повърхности не позволяват безопасна работа и контрол на инструмента при неочаквани ситуации.
- 5. Обслужване**
- a) **Вашият електроинструмент трябва да се обслужва от квалифицирано лице, което използва само оригинални резервни части.** Това ще гарантира запазването на безопасността на електроинструмента.

- a) **Носете антифони.** Излагането на шум може да доведе до загуба на слуха.
 - b) **Използвайте спомагателната(и) ръкохватка(и), ако има в комплекта.** Загубата на контрол може да причини телесна повреда.
 - c) **Дръжте електроинструмента само за изолираната повърхност за захващане, когато извършвате операция, при която режещият аксесоар може да влезе в досег със скрито окабеляване.** Аксесоарът за рязане или крепежните елементи, влизащи в досег с проводник под напрежение, ще оставят откритите метални части на електроинструмента под напрежение и могат да причинят токов удар на оператора.
- 2) Инструкции за безопасност при използване на дълги свредла с перфоратори**
- a) **Винаги започвайте пробиване с ниска скорост и с върха на свредлото в контакт с детайла.** При по-високи скорости има вероятност свредлото да се огъне, ако се остави да се върти свободно без контакт с детайла, което води до нараняване.
 - b) **Прилагайте натиск само в права линия с накрайника и не прилагайте прекомерен натиск.** Накрайниците могат да се огънат, причинявайки счупване или загуба на контрол, което води до нараняване.

ДОПЪЛНИТЕЛНИ ПРАВИЛА ЗА БЕЗОПАСНОСТ ЗА ЧУК

1. Винаги носете прахова маска.

СИМВОЛИ



За да се намали риска от нараняване, потребителят трябва да прочете ръководството с инструкции



Предупреждение



Носете антифони



Носете защитни очила



Носете прахова маска



Двойна изолация



Излезлите от употреба електрически продукти не бива да бъдат изхвърляни заедно с битовите отпадъци. Моля, използвайте рециклиращи съоръжения там, където има такива. Информация за рециклирането можете да получите от местните власти или от съответния търговец на дребно.

ПРЕДУПРЕЖДЕНИЯ ЗА БЕЗОПАСНОСТ ПРИ КЪРТЕНЕ

- 1) **Инструкции за безопасност за всички операции**


СПИСЪК НА КОМПОНЕНТИТЕ

1. ПРОТИВОПРАХОВО КАПАЧЕ
2. ФИКСИРАЩА ВТУЛКА НА ДЪРЖАЧА НА ИНСТРУМЕНТА
3. ДЪЛБОКОМЕР
4. ДИСК ЗА ИЗБОР НА ФУНКЦИЯ НА РЕЖИМ
5. ПРОТИВОВИБРАЦИОННА РЪКОХВАТКА
6. БУТОН ВКЛ./ИЗКЛ.
7. БУТОН ЗА ПРОМЯНА НА СКОРОСТТА
8. СПОМАГАТЕЛНА ДРЪЖКА
9. ПРОТИВОПРАХОВО КАПАЧЕ

Не всички илюстрирани или описани аксесоари са включени в стандартния комплект.

ТЕХНИЧЕСКИ ДАННИ

Тип DX27 (27 – обозначение за машини, представляващи перфоратори)

Напрежение	220-240V~50/60Hz	
Входна мощност	1500W	
Скорост на празен ход	0-920 /min	
Честота на ударите	0-3700/min	
Енергия на удара	5.0J	
Тип патронник	SDS-Plus	
Макс. капацитет на пробиване	Стомана	13mm
	Тухла	32mm
	Дърво	40mm
Клас на защита	 /II	
Тегло на машината	5.7kg	

BG

ИНФОРМАЦИЯ ЗА ШУМА

Претеглено звуково налягане	L_{pA} : 93,3 dB (A)
K_{pA} =	3 dB(A)
Претеглена звукова мощност	L_{wA} : 104,3 dB (A)
K_{wA} =	3 dB(A)
Носете антифони.	

ИНФОРМАЦИЯ ЗА ВИБРАЦИИТЕ

Обща стойност на вибрациите (триаксиална векторна сума), определена според БДС EN 62841:	
Ударно пробиване в бетон	Стойност на вибрационните емисии: $a_{h,p} = 8,35 \text{ m/s}^2$
	Неопределеност $K = 1,5 \text{ m/s}^2$
Къртене	Стойност на вибрационните емисии: $a_{h,p} = 7,68 \text{ m/s}^2$
	Неопределеност $K = 1,5 \text{ m/s}^2$

Декларираната обща стойност на вибрациите и декларираната стойност на шумовите емисии са измерени в съответствие със стандартен метод за изпитване и могат да се използват за сравняване на един инструмент с друг. Декларираната обща стойност на вибрациите и декларираната стойност на шумовите емисии могат също да се използват при предварителна оценка на експозицията.



ПРЕДУПРЕЖДЕНИЕ: Емисиите на вибрации и шум по време на действителното използване на електроинструмента може да се различават от декларираната стойност в зависимост от начините, по които се използва инструментът, особено какъв вид детайл се обработва, в зависимост от следните примери и други варианти на това как се използва инструментът:

Как се използва инструментът и материалите, които се режат или пробиват.

Добро състояние и правилна поддръжка на инструмента.

Използване на правилните аксесоари за инструмента и поддържането му остър и в добро състояние.

Стегнат захват на ръкохватките и използване на противовибрационни и противощумови аксесоари. Употреба на

инструмента според дизайна му и тези инструкции.

Този инструмент може да предизвика синдром на вибрация „ръка-рамо“, ако употребата му не се управлява адекватно.



ПРЕДУПРЕЖДЕНИЕ: За да бъде точна, оценката на нивото на експозиция в действителните условия на употреба трябва също така да вземе предвид всички части на работния цикъл, като например времето, когато инструментът е изключен и когато работи на празен ход, но всъщност не върши работата. Това може значително да намали нивото на експозиция през целия работен период.

Как да намалите риска от експозиция на вибрации и шум.

ВИНАГИ използвайте остри длетата, свредлата и ножове.

Грижете се за инструмента според тези инструкции и го поддържайте смазан (където е приложимо).

Ако инструментът ще се използва редовно, инвестирайте в противовибрационни и противощумови аксесоари.

Планирайте работния си график, за да разпределите употребата на високовибрационни инструменти в няколко отделни дни.

АКСЕСОАРИ

Спомагателна ръкохватка	1
Дълбокомер	1
Противопрахово капаче	1

Препоръчваме ви да закупите вашите аксесоари от същия магазин, от който сте закупили инструмента. Направете справка с опаковката за аксесоари за повече подробности. Персоналът в магазина може да ви съдейства и да ви предложи съвет.

ИНСТРУКЦИИ ЗА РАБОТА



ЗАБЕЛЕЖКА: Преди да използвате инструмента, прочетете внимателно книжката с инструкции.

ПРЕДНАЗНАЧЕНИЕ

Машината е предназначена за ударно пробиване в бетон, тухла и камък, както и за по-лека работа с длето. Също така е подходяща за пробиване без удар в дърво, метал, керамика и пластмаса.

СГЛОБЯВАНЕ

1. МОНТИРАНЕ НА СПОМАГАТЕЛНАТА РЪКОХВАТКА (ВЖ. ФИГ. А)

За вашата безопасност ви препоръчваме винаги да използвате спомагателната ръкохватка. Завъртете дръжката на спомагателната ръкохватка обратно на часовниковата стрелка, за да разхлабите затягащия пръстен. Плъзнете затягащия пръстен на спомагателната ръкохватка над втулката на дръжката на перфоратора и завъртете дръжката около втулката, докато дръжката застане в желаното работно положение. Завъртете дръжката по часовниковата стрелка, за да затегнете спомагателната ръкохватка на място.



ПРЕДУПРЕЖДЕНИЕ: Спомагателната ръкохватка трябва да се използва по време на работа.

2. МОНТИРАНЕ НА ДЪЛБОКОМЕРА (ВЖ. ФИГ. В)

Дълбокомерът може да се използва за задаване на постоянна дълбочина на пробиване. Завъртете заключващия винт (а) в горния край на спомагателната ръкохватка обратно на часовниковата стрелка, за да го развиете, поставете дълбокомера в отвора на ръкохватката. Регулирайте го до желаната дълбочина. Завийте заключващия винт по часовниковата стрелка, за да го затегнете.

3. ПОСТАВЯНЕ И ИЗВАЖДАНЕ НА СВРЕДЛОТО (НЕ Е ВКЛЮЧЕНО) (ВЖ. ФИГ. С)

Внимавайте да не повредите противопраховото капаче, когато сменят инструментите.

- ПОСТАВЯНЕ

Почистете и леко смажете свредлото преди да го поставите. Поставете почистеното от прах свредло директно в държача на инструмента с усукващо движение, докато се фиксира. Държачът се заключва. Проверете заключването като издърпате инструмента.

- ИЗВАЖДАНЕ

Приберете обратно заключващата втулка на държача на инструмента и издърпайте свредлото.



ПРЕДУПРЕЖДЕНИЕ: Перфораторът генерира мощна сила, за да свършите работата си бързо и ефективно. Тази сила може да счупи или заклепи SDS свредла с ниско качество. Затова препоръчваме да използвате само висококачествени SDS свредла с този инструмент.

РАБОТА

1. БУТОН ВКЛ./ИЗКЛ. (ВЖ. ФИГ. D)

Натиснете бутона вкл./изкл., за да започнете работа, и го освободете, за да спрете инструмента.

2. БУТОН ЗА ПРОМЯНА НА СКОРОСТТА (ВЖ. ФИГ. E)

С помощта на бутона за промяна на скоростта може да се избере необходимата скорост (също и по време на работа). Необходимата скорост зависи от материала и се определя в практиката.

3. ПРОТИВОВИБРАЦИОННА РЪКОХВАТКА

Противовибрационната ръкохватка намалява вибрациите като прави работата по-удобна и сигурна.

4. ПРОТИВОПРАХОВО КАПАЧЕ (ВЖ. ФИГ. F)

Преди пробиване първо поставете противопраховото капаче върху свредлото.

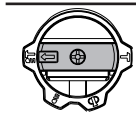


ПРЕДУПРЕЖДЕНИЕ: Винаги носете защитни очила при работа с този инструмент.

5. ФУНКЦИЯ ИЗБОР НА РЕЖИМ (ВЖ. ФИГ. G)

Работата на скоростната кутия за всяко приложение се настройва от диска за избор на функция на режим. За промяна на функциите натиснете бутона за отключване (b) и завъртете диска за избор на желания режим на работа.

ЗАБЕЛЕЖКА: След завъртане до желаната позиция, преместете диска за избор леко наляво или надясно, за да проверите дали е заключен на място.



Режим за едновременно пробиване и къртене на бетон и тухла



Режим за пробиване на стомана, дърво и пластмаса



Режим за къртене



Режим за настройка на ъгъла на длетото
ЗАБЕЛЕЖКА: Първо изберете този режим на функция "ID" регулирайте ъгъла на патронника до необходимото. След това изберете режим за къртене "I"



ПРЕДУПРЕЖДЕНИЕ: Селекторът на режим може да се използва само при спряна машина.

СЪВЕТИ ПРИ РАБОТА С ИНСТРУМЕНТА

1. Намалете натиска върху свредлото, когато предстои да пробие. Това ще предотврати блокирането на свредлото.
2. Когато пробивате голям отвор, първо пробийте пилотен отвор като използвате по-малко свредло.
3. Натискът, който прилагате върху свредлото, трябва винаги да бъде праволинеен и по възможност под прав ъгъл спрямо заготовката.
4. Натискът, който прилагате върху свредлото, трябва винаги да бъде праволинеен и по възможност под прав ъгъл спрямо заготовката.
5. Не прилагайте прекомерен натиск към инструмента, докато пробивате. Излишната сила не ускорява работата.

ПОДДРЪЖКА

Преди да пристъпите към каквото и да било регулиране, обслужване или поддръжка, първо издърпайте захранващия кабел от електрическия контакт.

Вашият електроинструмент не съдържа никакви детайли, които да се обслужват от потребителя. Никога не използвайте вода или химически препарати за почистване на електроинструмента. Почиствайте го със суха кърпа. Винаги съхранявайте вашия електроинструмент на сухо място. Поддържайте вентилационните отвори на двигателя чисти. Поддържайте всички бутони за управление чисти от прах. От време на време може да виждате искри през вентилационните отвори. Това е нормално и няма да повреди вашия електроинструмент. Ако захранващият кабел бъде повреден, той трябва да бъде подменен от производителя, от обслужващия го представител или от друго компетентно лице с цел избягване на опасности.

ОТСТРАНЯВАНЕ НА НЕИЗПРАВНОСТИ

1. Ако вашият електроинструмент не се включва, първо проверете щепсела на захранването.
2. Ако перфораторът стане твърде горещ по време на употреба, завъртете превключвателя на перфоратора на режим за пробиване на максимална скорост и празен ход за 2 минути.
3. Ако ефективността на работа на перфоратора е твърде ниска, добавете смазка в гресьорката.
4. Ако ефективността на перфоратора е ниска, проверете дали инструментът не е затъпен.
5. Ако проблемът не може да бъде отстранен, занесете инструмента при оторизиран представител за ремонт.

ОПАЗВАНЕ НА ОКЛНАТА СРЕДА



Излезлите от употреба електрически продукти не бива да бъдат изхвърляни заедно с битовите отпадъци. Моля, използвайте рециклиращи съоръжения там, където има такива. Информация за рециклирането можете да получите от местните власти или от съответния търговец на дребно.

ДЕКЛАРАЦИЯ ЗА СЪОТВЕТСТВИЕ

Ние,
POSITEC Germany GmbH
Postfach 32 02 16, 50796 Cologne, Germany

Декларираме, че продуктът Описание:
Ротативен пробивен чук
Тип: **DX27 (27 - обозначение за машини, представляващи перфоратор)**
Функция: **къртене на различни материали**

Отговаря на следните директиви:
2006/42/EC,
2014/30/EU,
2011/65/EU&(EU)2015/863


както и на стандартите
EN 62841-1, EN IEC 62841-2-6, EN IEC 55014-1, EN IEC 55014-2, EN IEC 61000-3-2, EN 61000-3-3

Лице, оторизирано да изготвя техническото досие,
Име: **Марсел Филц**
Адрес: **POSITEC Germany GmbH**
Postfach 32 02 16, 50796 Cologne, Germany



2022/11/22
Альн Динг
Заместник-главен инженер, отговарящ за тестването и сертифицирането
Positec Technology (China) Co., Ltd 18, Dongwang Road,
Suzhou Industrial Park, Jiangsu 215123, P. R. China

EREDETI HASZNÁLATI UTASÍTÁS TERMÉKBIZTONSÁG ELEKTROMOS KÉZISZERSZÁMOK BIZTONSÁGOS HASZNÁLATÁVAL KAPCSOLATOS ÁLTALÁNOS FIGYELMEZTETÉSEK

 **FIGYELEM:** Olvassa el az összes, ehhez az elektromos kéziszerszámhoz mellékelt biztonsági figyelmeztetést, utasítást és részletes ismertetést, illetve tekintse meg az ábrákat. Az alább felsorolt utasítások bármelyikének figyelmen kívül hagyása áramütést, tüzet és/vagy súlyos testi sérüléseket eredményezhet.

Őrizzen meg minden figyelmeztetést és utasítást, a jövőben szüksége lehet ezekre.

A figyelmeztetéseken használatos "elektromos kéziszerszám" kifejezés az ön hálózatról üzemeltetett (vezetékes) elektromos kéziszerszámára vagy akkumulátoros (vezeték nélküli) elektromos kéziszerszámára vonatkozik.

1. A MUNKATERÜLET BIZTONSÁGA

- A munkaterületet tartsa tisztán és jól megvilágítva.** A zsúfolt vagy sötét munkaterület balesethez vezethet.
- Ne üzemeltessen elektromos kéziszerszámot robbanékony légkörben, például gyúlékony folyadékok, gázok vagy por jelenléte mellett.** Az elektromos kéziszerszámok használata során szikrák keletkeznek, amelyek hatására a por vagy gáz kigyulladhat.
- Elektromos kéziszerszámok működtetése közben tartsa távol a gyermekeket és bámészkodókat.** A figyelem elterelése kontrollvesztést eredményezhet.

2. ELEKTROMOS BIZTONSÁG

- Az elektromos kéziszerszámok dugójának illeszkednie kell a dugaljba. Soha, semmilyen módon ne módosítsa a dugót.** Földelt elektromos kéziszerszámokkal ne használjon adaptert. Ha nem módosított dugókat és megfelelő dugaljat használ, azzal csökkenti az áramütés kockázatát.
- Ne érintse meg a földelt felületeket, például csöveket, radiátorokat, tűzhelyeket vagy hűtőszekrényeket.** Ha a test földelt, nagyobb az áramütés kockázata.
- Ne tegye ki esőnek vagy nedves körülményeknek az elektromos kéziszerszámokat.** Ha egy elektromos kéziszerszámba víz kerül, megnő az áramütés kockázata.
- Vigyázzon a szerszám kábelére. Soha ne hordozza, húzogassa vagy húzza ki az áramból az elektromos kéziszerszámot**

a kábelnél fogva. A kábelt tartsa távol a hőtől, olajtól, éles peremektől vagy mozgó részekről. A sérült vagy összegubancolódott kábel növeli az áramütés kockázatát.

- Ha az elektromos kéziszerszámot szabadterben üzemelteti, használjon külső használatra alkalmas hosszabbítót.** A külső használatra alkalmas kábel használatával csökken az áramütés kockázata.
- Ha elkerülhetetlen, hogy az elektromos kéziszerszámot nedves helyen működtesse, használjon maradékáram-működtetésű megszakító (RCD) védelemmel rendelkező áramforrást.** A maradékáram-működtetésű megszakító használata csökkenti az áramütés kockázatát.

3. SZEMÉLYI BIZTONSÁG

- Az elektromos kéziszerszám működtetése közben maradjon éber, figyeljen arra, amit csinál, és használja a józan eszt.** Ne működtesse az elektromos kéziszerszámot, ha fáradt, illetve gyógyszerek, alkohol vagy drogok hatása alatt áll. Egy pillanatnyi figyelmetlenség az elektromos kéziszerszámok működtetése közben súlyos sérülésekhez vezethet.
- Használjon személyi védőfelszereléseket. Mindig használjon szemvédelmet.** A személyi védőfelszerelés, például pormaszk, csúszásmentes biztonsági lábbeli, védősisak vagy szükség esetén hallásvédelem használatával csökkenthető a személyi sérülések kockázata.
- Kerülje el, hogy a szerszám véletlenül működésbe lépjen. Mielőtt az elektromos kéziszerszámot áramhoz csatlakoztatná, behelyezné az akkumulátort, felvenné vagy vinné a szerszámot ellenőrizze, hogy a kapcsoló "ki" helyzetbe legyen állítva.** Ha a szerszám hordozásakor újját a kapcsolón tartja, vagy áram alá helyezi a bekapcsolt készüléket, az balesetekhez vezethet.
- Mielőtt az elektromos kéziszerszámot bekapcsolná, távolítson el róla minden állítókulcsot.** Ha az elektromos kéziszerszám forgórészein állítókulcs marad, az személyi sérüléshez vezethet.
- Ne próbáljon túl messzire nyúlni. Mindig vigyázzon, hogy stabilan álljon, és őrizze meg egyensúlyát.** Ez segít, hogy váratlan helyzetekben uralja az elektromos kéziszerszámot.
- Viseljen megfelelő öltözéket. Ne viseljen bő ruházatot vagy hosszú ékszert. Haját, ruházatát és kesztyűjét tartsa a mozgó alkatrészekről távol.** A bő ruházatot, hosszú ékszert vagy hosszú haját bekapathatják a mozgó elemek.
- Ha a szerszámhoz porszívó vagy -gyűjtő is csatlakoztatható, gondoskodjon ezek megfelelő csatlakoztatásáról és használatáról.** A porgyűjtő használatával csökkenthetőek a porral kapcsolatos kockázatok.
- Ne hagyja, hogy a szerszám gyakori használata túl elbizakodottá tegye, és hogy ezáltal figyelmen kívül hagyja a szerszám biztonsági követelményeit.** A másodperc töredéke is elég ahhoz, hogy egy figyelmen kívül hagyott súlyos sérüléshez vezessen.

4. AZ ELEKTROMOS KÉZISZERSZÁM HASZNÁLATA ÉS KARBANTARTÁSA

- a) **Ne erősítse az elektromos kéziszerszámot. Mindig megfelelő elektromos kéziszerszámot használjon.** *Ha a megfelelő elektromos kéziszerszámot használja, azzal a rendeltetési területén jobban és biztonságosabban elvégezhető a munka.*
- b) **Ne használja az elektromos kéziszerszámot, ha azt nem lehet kikapcsolni.** *Ha egy elektromos kéziszerszám nem szabályozható a kapcsolóval, az veszélyes, és javításra szorul.*
- c) **Mielőtt a szerszámot beállítaná, tartozékot cserélné, illetve tároláskor húzza ki a dugót az áramforrásból, és/vagy vegye ki az akkumulátort az elektromos kéziszerszámból.** *Ezekkel a megelőző biztonsági intézkedésekkel csökken annak a kockázata, hogy a kéziszerszám véletlenül bekapcsoljon.*
- d) **Az elektromos kéziszerszámokat használaton kívül tartsa a gyermekektől távol, és ne hagyja, hogy a szerszámot vagy ezeket az utasításokat nem ismerő személyek működtessék azt.** *A tapasztalatlan felhasználók kezében az elektromos kéziszerszámok veszélyessé válnak.*
- e) **Tartsa karban az elektromos kéziszerszámokat. Ellenőrizze, hogy a mozgó elemek megfelelően helyezkednek-e el és nem szorultak-e be, az alkatrészek épek, és semmilyen más hiba nincs kihatással az elektromos kéziszerszám működésére. Ha sérülést talál, használat előtt javíttassa meg a szerszámot.** *A nem megfelelően karbantartott elektromos kéziszerszámok sok balesetet okoznak.*
- f) **A vágószerszámokat tartsa tisztán, és figyeljen, hogy élesek maradjanak.** *A megfelelően karbantartott, éles vágószerszámok ritkábban akadnak meg, és egyszerűbben irányíthatóak.*
- g) **Az elektromos kéziszerszámot, a kiegészítőket és fejeket használja a fenti utasításoknak megfelelően, figyelembe véve a munkakörülményeket és az elvégzendő munkát.** *Ha az elektromos kéziszerszámot nem rendeltetésszerűen használja, az veszélyhelyzetet teremthet.*
- h) **Őrizze szárazon, tisztán, olaj- és zsirmentesen a szerszám fogantyúit és megfogási részeit.** *A csúszos fogantyúk és megfogási részek főleg váratlan helyzetekben akadályozzák a szerszám biztonságos megfogását, kezelését és irányítását.*
5. Szerviz
- a) **Az elektromos kéziszerszámot csak képzett szerelő javíthatja megfelelő cserealkatrészekkel.** *Ez biztosítja az elektromos kéziszerszám biztonságos működését.*

BIZTONSÁGI ELŐÍRÁSOK A KALAPÁCSOK SZÁMÁRA

- 1) **Biztonsági utasítások minden művelethez**

- a) **Viseljen fülvédőt.** *A zaj halláskárosodást okozhat.*
- b) **Ha az eszközökhöz kiegészítő markolato(ka)t mellékeltek, használja az(oka)t.** *A kontrollvesztés személyi sérülést eredményezhet.*
- c) **Tartsa az elektromos szerszámot a szigetelt markolófelületeinél ha olyan munkát végez, ahol a befogott tartozék rejtett kábeleket vagy a készülék saját kábelét.** *Ha a vágótartozék feszültség alatt álló vezetékkel érint, az elektromos kéziszerszám külső fémalkatrészei feszültség alá kerülhetnek, aminek hatására a szerszám működtetője áramütést szenvedhet.*
- 2) **Biztonsági utasítások hosszú fűrókalapácsos fűrókalapácsok használatához**
- a) **A fűrást mindig alacsony fordulatszámon kezdje, és úgy, hogy a fűróhegy érintkezzen a munkadarabbal.** *Nagyobb sebességnél a fűró valószínűleg meghajlik, ha szabadon forog anélkül, hogy érintkezne a munkadarabbal, ami személyi sérülést okozhat.*
- b) **Csak közvetlenül a fűróval gyakoroljon nyomást, és ne gyakoroljon túlzott nyomást.** *A bitek meggörbülhetnek, ami törést vagy az irányítás elvesztését, személyi sérülést okozhat.*

KIEGÉSZÍTŐ BIZTONSÁGI SZABÁLYOK A KALAPÁCSHOZ

1. Minden esetben viseljen pormaszkot.

SZIMBÓLUMOK



A sérülésveszély csökkentése érdekében a felhasználónak el kell olvasnia az utasításokat



Figyelmeztetés



Viseljen fülvédőt



Viseljen szemvédőt



Viseljen pormaszkot



Dupla szigetelés



A leselejtezett elektromos készülékek nem dobatók ki a háztartási hulladékkal. Ha van a közelben elektromos hulladék gyűjtő udvar, vigye oda a készüléket. Az újrahaznosítási lehetőségekről tájékozódjon a helyi hatóságoknál vagy a kereskedőnél


ALKATRÉSZLISTA

1. PORVÉDŐ SAPKA
2. SZERSZÁMTARTÓ RÖGZÍTŐHÜVELY
3. MÉLYSÉGMÉRŐ
4. ÜZEMMÓDVÁLASZTÓ TÁRCSA
5. REZGÉSGÁTLÓ FOGANTYÚ
6. FŐKAPCSOLÓ
7. FORDULATSZÁM-SZABÁLYZÓ
8. SEGÉDFOGANTYÚ
9. PORVÉDŐ

Nem minden ábrázolt vagy ismertetett tartozék része az alapsomagnak.

MŰSZAKI ADATOK

Típus DX27 (27 – a gép megnevezése, forgókalapács típus)

Feszültség	220-240V~50/60Hz	
Bemeneti tápellátás	1500W	
Üresjárat sebesség	0-920 /min	
Ütésszám	0-3700/min	
Ütési erő	5.0J	
Tokmány típusa	SDS-Plus	
Max. fúróteljesítmény	Acél	13mm
	Falazat	32mm
	Fa	40mm
Védelmi osztály	 II	
Gép súlya	5.7kg	

ZAJVÉDELMI TÁJÉKOZTATÁS

A-súlyozott hangnyomásszint	L_{pA} : 93,3 dB (A)
K_{pA} =	3 dB(A)
A-súlyozott hangteljesítmény	L_{wA} : 104,3 dB (A)
K_{wA} =	3 dB(A)
Viseljen fülvédőt.	

VIBRATION INFORMATION

Az EN 62841 szabvány szerint meghatározott összes rezgés (háromtengelyű vektoriális összeg) a következő:	
Hammer fúrás betonba	Rezgés kibocsátási érték: $a_{h,p} = 8,35 \text{ m/s}^2$
	Bizonytalanság $K = 1,5 \text{ m/s}^2$
Vésés	Rezgés kibocsátási érték: $a_{h,p} = 7,68 \text{ m/s}^2$
	Bizonytalanság $K = 1,5 \text{ m/s}^2$

A bejelentett rezgési összértéket és a bejelentett zajkibocsátási értéket szabványos vizsgálati módszerrel mérték, és felhasználhatók az egyik szerszám és a másik összehasonlítására.

A bejelentett rezgési összérték és a bejelentett zajkibocsátási érték is felhasználható az expozíció előzetes értékelésénél.

 **FIGYELEM:** Az elektromos kéziszerszám tényleges használata során fellépő rezgés- és zajkibocsátás eltérhet a megadott értéktől a szerszám felhasználási módjaitól függően, különösen attól, hogy milyen

munkadarabot dolgoznak fel, a következő példáktól és a szerszám használatának egyéb eltéréseitől függően: Hogyan használják a szerszámot, milyen anyagokat vágnak vagy fúrnak. Az eszköz jó állapotban van-e, megfelelően karbantartják-e. Megfelelő tartozékokat használnak-e az eszközhöz, vigyáznak-e, hogy éles legyen, és jó állapotban maradjon. A fogantyú megragadásának erősségétől és az esetleg használt vibrációs- és zajcsökkentő tartozék típusától. A szerszámot rendeltetésszerűen, kialakításának és a jelen utasításoknak megfelelően használják-e.

Ha a szerszámot nem kezelik megfelelően, kéz-kar vibrációs szindrómát okozhat.

FIGYELEM: A pontosság érdekében a tényleges használati körülmények között az expozíciós szint becslésénél figyelembe kell venni a működési ciklus minden részét, például azt az időpontot, amikor a szerszám ki van kapcsolva, és amikor az üresjáratban működik, de valójában nem végzi el a munkát. Ez jelentősen csökkentheti az expozíciós szintet a teljes munkaidő alatt. A vibrációnak és zajnak való kitettség kockázatának csökkentése. MINDIG éles vésőt, pengét, és hegyes fúrófejet használjon. Az eszközt jelen utasításoknak megfelelően tartsa karban, és vigyázzon a megfelelő kenésre (ahol erre szükség van). Ha a szerszám rendszeres használatát tervezik, akkor megéri a vibráció- és zajcsökkentő tartozékok beszerzése. Úgy tervezze meg a munkáját, hogy a magas rezgésszámú eszközök használatát igénylő feladatokat több napra ossza el.

TARTOZÉKOK

Pótfogantyú	1
Mélységmérő	1
Porvédő	1

Javasoljuk, hogy a tartozékokat ugyanabból a boltból vásárolja meg, ahol a szerszámot is vásárolta. További részleteket a tartozék csomagolásán talál. Kérjen segítséget és tanácsot a bolti eladóktól.

HASZNÁLATI UTASÍTÁSOK

MEGJEGYZÉS: A szerszám használata előtt olvassa el figyelmesen a használati útmutatót.

RENDELTETTESZÉRŰ HASZNÁLAT

A gépet beton, téglá és kő kalapácsfúrására tervezték. Alkalmas továbbá fa, fém, kerámia és műanyag ütés nélküli fúrására is.

ÖSSZESZERELÉS

1. A SEGÉDFOGANTYÚ FELSZERELÉSE (LÁSD A A. ÁBRÁT)

Az Ön személyes biztonsága érdekében javasoljuk, hogy mindig használja a segédfogantyút.

A szorítógyűrű meglazításához forgassa el a segédfogantyú markolatát az óramutató járásával ellentétes irányba. Csúsztassa a segédmarkolat szorítógyűrűjét a kalapács markolatgallérra, és forgassa a markolatot a gallér körül, amíg a markolat a kívánt munkapozícióba nem kerül.

A segédmarkolat helyére történő meghúzásához forgassa el a markolatot az óramutató járásával megegyező irányba.

FIGYELEM! Működés közben használni kell a segédfogantyút.

2. A MÉLYSÉGMRŐ FELSZERELÉSE (LÁSD A B. ÁBRÁT)

A mélységmérővel állandó mélység állítható be a kalapácsfúráshoz.

A segédfogantyú tetején lévő rögzítőcsavart (a) az óramutató járásával ellentétes irányban elforgatva lazítsa meg, és helyezze be a mélységmérőt a fogantyú furatába. Állítsa be a kívánt mélységre. A rögzítőcsavart az óramutató járásával megegyező irányban elforgatva húzza meg.

3. FÚRÓSZÁR BEHELYEZÉSE ÉS ELTÁVOLÍTÁSA (NEM TARTOZÉK) (LÁSD A C. ÁBRÁT)

Szerszámcseré közben ügyeljen arra, hogy a porvédő sapka ne sérüljön meg.

- BEHELYEZÉS

A behelyezés előtt tisztítsa meg és enyhén olajozza meg a fúrószárat. Húzza vissza a szerszámtartó rögzítőhüvelyét, és csavaró mozdulattal helyezze be a pormentes fúrószárat a szerszámtartóba, amíg az be nem kattan.

A fúrószár magától rögzül. Ellenőrizze a rögzítést a szerszámról való ráhúzással.

- ELTÁVOLÍTÁS

Húzza vissza a szerszámtartó rögzítőhüvelyét, és húzza ki a szerszámot.

FIGYELEM! Az Ön új forgókalapácsa nagy erőt fejt ki, hogy gyorsan és hatékonyan végezze el a munkáját. Ezek az erők a gyengébb minőségű SDS fúrószárak törését és a tokmányban való elakadását okozhatják. Ezért javasoljuk, hogy csak kiváló minőségű SDS fúrószárak használhatók ezzel a szerszámmal.

MŰKÖDTETÉS

1. FŐKAPCSOLÓ (LÁSD A D. ÁBRÁT)

A szerszámgép indításához nyomja le a főkapcsolót, a gép leállításához pedig engedje el.

2. VÁLTOZÓ FORDULATSZÁM-SZABÁLYOZÁS (LÁSD A E. ÁBRÁT)

A változó fordulatszám-szabályozással a kívánt fordulatszám választható ki (menet közben is).

A szükséges fordulatszám az anyagtól függ, és gyakorlati próbával kell meghatározni.

3. REZGÉSGÁTLÓ FOGANTYÚ

A rezgésgátló fogantyú csökkenti a rezgéseket, így kényelmesebb és biztonságosabb teszi a munkavégzést.

4. PORVÉDŐ (LÁSD A F. ÁBRÁT)

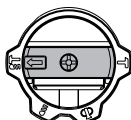
Fúrás előtt illessze a porvédő fedelet a fúrószárra.

FIGYELEM! Ezzel a szerszámmal mindig viseljen védőszemüveget.

5. MŰKÖDÉSI MÓD KIVÁLASZTÁSA (LÁSD A G. ÁBRÁT)

A hajtómű működésének beállítása az egyes alkalmazásokhoz a működési módválasztó tárcsával történik. A működési módok közötti váltáshoz nyomja le a feloldó gombot (b), és forgassa el a választógombot a kívánt működési módra.

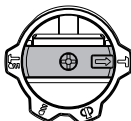
MEGJEGYZÉS: Miután elforgatta a kívánt pozícióba, mozgassa a módválasztó tárcsát egy kicsit balra vagy jobbra, hogy ellenőrizze, hogy a tárcsa a helyén van-e rögzítve.



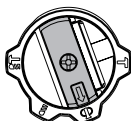
A beton, falazat egyidejű fúrására és beütésére alkalmas működési mód



Az acélba, fába és műanyagba történő fúrásra alkalmas működési mód



Vésésre alkalmas működési mód



A vésés tokmányszögének beállítására szolgáló működési mód

MEGJEGYZÉS: Válassza ki először ezt a "D" működési módot, állítsa be a tokmány szögét a kívánt irányba. Ezután válassza ki a "T", végezze el a vésési munkát.

FIGYELEM! A működési módválasztó kapcsolót csak álló helyzetben szabad működtetni.

A SZERSZÁM HASZNÁLATÁVAL KAPCSOLATOS JAVASLATOK

1. Csökkentse a fúrófejre nehezedő nyomást az áttörés előtt. Ez megakadályozza a fúró elakadását.
2. Amikor nagy lyukat fúr, először fúrjon egy próbalyukat egy kisebb fúrófej segítségével.
3. Mindig egyenes vonalban alkalmazzon nyomást a fúrófejre, és lehetőség szerint egyenesszögben a munkadarabra.
4. Soha ne változtassa a működési módot a fúrógép használata közben.
5. Vésés során ne alkalmazzon túl nagy nyomást a szerszámmra. A túlzott erő nem gyorsítja fel a munkát.

KARBANTARTÁS


Húzza ki a dugót a konnektorból Mielőtt bármilyen beállítás, vagy karbantartási. nincsenek a felhasználó által javítható alkatrészek a szerszámtól. Soha ne használjon vizet vagy vegyi

tisztítószereket a szerszámtól. Törölje le egy száraz ruhával. Mindig tárolja a szerszámtól száraz helyen. Tartsa a motor szellőzőnyílásait. Tartsa a munka ellenőrzése a portól. Néha lehet látni szikrákat a szellőzőnyílásokon. Ez normális, és nem károsítja a szerszámtól. Ha a tápkábel sérült, ki kell cserélni a gyártó, a hivatalos márkaszerviz vagy hasonlóan képzett személyeket, hogy a kockázatok elkerülése.

HIBAEELHÁRÍTÁS

1. Ha a szerszám nem indul, először ellenőrizze a dugót.
2. Amennyiben az ütevfűró használat közben túlságosan felmelegedik, állítsa a kapcsolót fűró módba, és járassa maximális sebességen terhelés nélkül 2 percig.
3. Amennyiben ütevfűrójának teljesítménye túl alacsony, helyezzen megfelelő mennyiségű kenőanyagot a kenőanyagtartóba.
4. Amennyiben ütevfűrójának teljesítménye túl alacsony, ellenőrizze, hogy a szerszám nem tompult-e el.
5. Ha nem találja a hiba okát, juttassa vissza a szerszámtól a kereskedőhöz javítás céljából.

KÖRNYEZETVÉDELLEM

 A leselejtezett elektromos készülékek nem dobhatók ki a háztartási hulladékkal. Ha van a közelben elektromos hulladék gyűjtő udvar, vigye oda a készüléket. Az újrahasznosítási lehetőségekről tájékozódjon a helyi hatóságoknál vagy a kereskedőnél.

MEGFELELŐSÉGI NYILATKOZAT

A gyártó:
POSITEC Germany GmbH
Postfach 32 02 16, 50796 Cologne, Germany

Kijelenti, hogy a termék:
Leírás **Pneumatikus fúrókalapács**
Típus **DX27 (27- a szerszám megjelölése, kalapács képvisel je)**
Rendeltetés **Különböző anyagok ütvefúrása**

Megfelel a következő irányelveknek:
2006/42/EC,
2014/30/EU,
2011/65/EU & (EU)2015/863


Az alábbi normáknak:
EN 62841-1, EN IEC 62841-2-6, EN IEC 55014-1, EN IEC 55014-2, EN IEC 61000-3-2, EN 61000-3-3

A műszaki dokumentáció összeállítására jogosult személy:
Név Marcel Filz
Cím POSITEC Germany GmbH
Postfach 32 02 16, 50796 Cologne, Germany



2022/11/22
Allen Ding
Helyettes főmérnöke, Tesztelés és minősítés
Positech Technology (China) Co., Ltd.
18, Dongwang Road, Suzhou Industrial Park, Jiangsu 215123, P. R. China

INSTRUCȚIUNI ORIGINALE SECURITATEA PRODUSULUI AVERTISMENTE GENERALE DE SIGURANȚĂ PENTRU UNELTE ELECTRICE

 **ATENȚIONARE:** Citiți toate atenționările de siguranță și parcurgeți toate instrucțiunile, ilustrațiile și specificațiile atașate acestei scule electrice. Nerespectarea tuturor instrucțiunilor enumerate mai jos poate duce la electrocutare, incendiu și/sau leziune corporală gravă.

Păstrați toate avertismentele și instrucțiunile pentru consultări ulterioare.

Termenul „unealtă electrică” din avertismente se referă la o unealtă electrică alimentată de la rețeaua de energie electrică (prin cablu) sau la o unealtă electrică alimentată de la un acumulator (fără cablu).

1. SIGURANȚA ZONEI DE LUCRU

- Mențineți zona de lucru curată și bine iluminată.** Zonele de lucru în dezordine și întunecoase favorizează accidentele.
- Nu utilizați uneltele electrice în atmosfere explozive, de exemplu în prezența unor lichide, gaze sau praf inflamabile.** Uneltele electrice provoacă scântei ce pot aprinde pulberea sau vaporii.
- Asigurați-vă că nu sunteți în apropiere persoane și copii în timpul funcționării unei unelte electrice.** Distragerea atenției poate duce la pierderea controlului uneltei.

2. SIGURANȚA ELECTRICĂ

- Figele uneltei electrice trebuie să se potrivească perfect în priza de alimentare. Nu modificați niciodată ștecherul.** Nu folosiți niciun adaptor pentru uneltele electrice cu împământare. Utilizarea ștecherelor nemodificate în prize corespunzătoare va reduce riscul electrocutării.
- Evitați contactul fizic cu suprafețe cu legătură la pământ, cum ar fi țevi, radiatoare, mașini de gătit sau frigider.** Riscul electrocutării este mai mare în cazul în care corpul dumneavoastră vine în contact cu suprafața împământată.
- Nu expuneți uneltele electrice la ploaie sau la umiditate.** Dacă intră apă în unealta electrică, riscul electrocutării este mai mare.
- Nu deteriorați cablul de alimentare. Nu folosiți niciodată cablul pentru transportarea, tragerea sau scoaterea din priză a uneltei electrice.** Păstrați cablul de alimentare la distanță de căldură, ulei, margini ascuțite sau părți mobile. Cablurile deteriorate sau încurcate măresc riscul electrocutării.
- Când folosiți uneltele electrice în exterior, utilizați un prelungitor potrivit pentru utilizarea în exterior.** Utilizarea unui cablu

potrivit pentru uzul în exterior reduce riscul electrocutării.

- Dacă utilizarea uneltei electrice într-un loc umed nu poate fi evitată, folosiți o alimentare protejată cu dispozitiv de curent rezidual (RCD).** Folosirea unui dispozitiv RCD reduce riscul electrocutării.

3. SIGURANȚA PERSONALĂ

- Fiți concentrat, urmăriți ceea ce faceți și dați dovadă de simț practic când folosiți o unealtă electrică. Nu folosiți o unealtă electrică dacă sunteți obosit sau sub influența drogurilor, a alcoolului sau a medicamentelor.** O clipă de neatenție în timpul funcționării uneltei electrice poate duce la accidentări personale grave.
- Folosiți echipament personal de protecție. Purtați întotdeauna ochelari de protecție.** Echipamentele de protecție precum masca de protecție contra prafului, încălțăminte cu talpă antiderapantă, cască sau protecția pentru urechi vor reduce riscul accidentărilor, utilizate în mod corespunzător.
- Preveniți punerea accidentală în funcțiune. Asigurați-vă că întrerupătorul se află în poziția de oprire înainte de a face conectarea la sursa de alimentare și/sau la acumulator, înainte de a ridica sau a transporta uneltele.** Transportarea uneltei electrice ținând degetul pe întrerupător sau alimentarea acestora cu întrerupătorul pornit poate duce la accidentări.
- Scoateți orice cheie de reglare sau cheie de piulițe înainte de a porni uneltele electrice.** O cheie de piulițe sau o altă cheie rămasă prinsă de o componentă rotativă a uneltei poate duce la rănirea personală.
- Păstrați un echilibru corect. Mențineți-vă permanent echilibrul și sprijiniți-vă ferm pe picioare.** Acest lucru permite un control mai bun al uneltei electrice în situații neprevăzute.
- Îmbrăcați-vă corespunzător. Nu purtați îmbrăcăminte prea largă sau bijuterii. Țineți la distanță părul și hainele dvs. de piesele în mișcare ale uneltei electrice.** Hainele prea largi, bijuteriile și părul lung se pot prinde în piesele mobile.
- Dacă sunteți furnizate accesorii pentru conectarea unor dispozitive de aspirare și colectare a prafului, asigurați-vă că acestea sunt montate și folosite corect.** Folosirea colectorului de praf poate reduce riscul accidentărilor din cauza prafului.
- Nu lăsați ca odată cu familiarizarea dvs. cu utilizarea uneltei să deveniți indolenți și să uitați respectarea principiilor de siguranță ale uneltei electrice.** Orice acțiune nesăbuită poate duce la leziuni corporale grave într-o fracțiune de secundă.

4. UTILIZAREA ȘI ÎNTREȚINEREA UNELTELOR ELECTRICE

- Nu forțați uneltele electrice. Folosiți uneltele electrice potrivit modului de aplicare.** Cu uneltele electrice potrivite, veți lucra mai bine și mai în siguranță, la viteza pentru care a

fost concepută.

- b) Nu folosiți unealta electrică dacă nu o puteți porni sau opri de la întrerupător.** Orice unealtă electrică ce nu poate fi acționată de la întrerupător este periculoasă și trebuie reparată.
- c) Scoateți ștecherul din sursa de curent și/ sau scoateți bateria din unealta electrică înainte de a efectua reglaje, de a schimba accesoriile sau de a depozita uneltele electrice.** Astfel de măsuri de siguranță reduc riscul pornirii accidentale a uneltei electrice.
- d) Nu lăsați uneltele electrice la îndemâna copiilor și nu permiteți persoanelor ce nu știu să le manevreze și nu cunosc instrucțiunile să acționeze aceste unelte.** Uneltele electrice sunt periculoase în mâinile utilizatorilor neinstruiți.
- e) Întreținerea uneltei electrice și ale accesoriilor aferente. Verificați posibila aliniere incorectă sau posibila blocare a componentelor mobile, deteriorarea componentelor sau orice alte situații care pot afecta funcționarea uneltei electrice. Dacă unealta electrică este deteriorată, reparați-o înainte de utilizare. Multe accidente sunt provocate din cauza întreținerii incorecte a uneltelor.**
- f) Uneltele de tăiere trebuie menținute ascuțite și curate.** Riscul blocării uneltelor de tăiere cu margini ascuțite întreținute corect este mai mic și acestea sunt mai ușor de controlat.
- g) Folosiți unealta electrică, accesoriile, piesele etc. conform acestor instrucțiuni, luând în considerare condițiile de lucru și operația de efectuat.** Folosirea uneltei electrice pentru operații diferite de cele pentru care a fost concepută poate duce la accidentare.
- h) Păstrați uscate, curate și fără urme de ulei sau grăsimi mânerele și suprafețele de apucare ale uneltei.** Mânerile și suprafețele de apucare alunecoase împiedică manipularea și controlul sigur al uneltei tocmai în cele mai neașteptate situații.
- 5) Service**
- a) Service-ul uneltei electrice trebuie efectuat de persoane calificate, folosind doar piese de schimb originale.** Acest lucru va asigura folosirea în continuare a uneltei electrice în siguranță.

INSTRUCȚIUNI DE SIGURANȚĂ PENTRU CIOCANE

- 1) Instrucțiuni de siguranță pentru toate operațiunile**
- a) Purtați aparat de protecție auditivă.** Expunerea la zgomot poate duce la pierderea auzului.
- b) Folosiți mânerul(ele) auxiliar(e), dacă este/sunt furnizat(e) cu unealta.** Pierderea controlului poate duce la răniri.
- c) Țineți unealta electrică de suprafețele de prindere izolate atunci când efectuați**

o operațiune în care accesoriul de tăiere poate intra în contact cu fire ascunse.

Accesoriul de tăiere care intră în contact cu un fir aflat sub tensiune poate pune sub tensiune componentele metalice neizolate ale mașinii electrice și poate produce un șoc electric asupra operatorului.

- 2) Instrucțiuni de siguranță atunci când utilizați burghie lungi cu ciocane rotopercuitoare**
- a) Începeți întotdeauna găurirea la viteza mică și cu vârful burghiului în contact cu piesa de prelucrat.** La viteze mai mari, bitul este probabil să se îndoie dacă este lăsat să se rotească liber fără a intra în contact cu piesa de prelucrat, ceea ce duce la vătămări corporale.
- b) Aplicați presiune numai în linie directă cu bitul și nu aplicați presiune excesivă.** Bițile se pot îndoii, provocând ruperea sau pierderea controlului, ducând la vătămări corporale.

REGULI SUPLIMENTARE DE SIGURANȚĂ PENTRU CIOCANUL

1. Purtați mască de praf.

SIMBOLURI



Pentru a reduce riscul de accidentări, utilizatorul trebuie să citească manualul de instrucțiuni



Avertisment



Purtați echipament de protecție pentru urechi



Purtați echipament de protecție pentru ochi



Purtați mască de protecție contra prafului



Izolație dublă



Produsele electrice nu trebuie depuse la deșeurile împreună cu gunoii menajeri. Vă rugăm să depuneți produsele electrice la unitățile de reciclare existente. Consultați-vă cu autoritățile locale sau cu distribuitorul pentru sfaturi privind reciclarea.

LISTA COMPONENTELOR

1. CAPAC DE PROTECȚIE ÎMPOTRIVA PRAFULUI
2. MANȘON DE BLOCARE A SUPORTULUI DE UNELTE
3. INDICATOR DE MĂSURARE A ADÂNCIMII
4. SELECTOR AL MODULUI DE FUNCȚIONARE
5. MÂNER ANTI VIBRAȚII
6. BUTON DE PORNIT/OPRIT
7. CONTROLUL VITEZEI VARIABILE
8. MÂNER AUXILIAR
9. HUSĂ DE PRAF

Nu toate accesoriile ilustrate sau descrise sunt incluse în furnitura standard.

DATE TEHNICE

Tip DX27 (27 - denumirea aparatului, reprezentativă pentru ciocanul rotativ)

Tensiune	220-240V~50/60Hz	
Putere absorbită	1500W	
Viteză fără sarcină	0-920 /min	
Rata de impact	0-3700/min	
Impactul energiei	5.0J	
Tipul de mandrină	SDS-Plus	
Capacitate max. de găurire	Oțel	13mm
	Zidărie	32mm
	Lemn	40mm
Clasă de protecție	□/II	
Greutatea mașinii	5.7kg	

RO

INFORMAȚII PRIVIND ZGOMOTUL

Presiunea acustică ponderată A	L_{pA} : 93,3 dB (A)
K_{pA} =	3 dB(A)
Puterea acustică ponderată A	L_{wA} : 104,3 dB (A)
K_{wA} =	3 dB(A)
Purtați echipament de protecție a urechilor.	

INFORMAȚII PRIVIND VIBRAȚIILE

Valorile totale ale vibrației stabilite conform EN 62841:	
Găurire cu percuție în beton	Valoare emisie vibrații: $a_{h,p} = 8,35 \text{ m/s}^2$
	Marjă de eroare $K = 1,5 \text{ m/s}^2$
Dălțuire	Valoare emisie vibrații: $a_{h,p} = 7,68 \text{ m/s}^2$
	Marjă de eroare $K = 1,5 \text{ m/s}^2$

Valoarea totală declarată a vibrațiilor și valoarea declarată a emisiei de zgomot au fost măsurate în conformitate cu o metodă de testare standard și pot fi utilizate pentru a compara o unealtă cu alta.

Valoarea totală declarată a vibrațiilor și valoarea declarată a emisiei de zgomot pot fi, de asemenea, utilizate într-o evaluare preliminară a expunerii.



ATENȚIONARE: Emisiile de vibrații și zgomot în timpul utilizării efective a sculei electrice pot diferi de valoarea declarată, în funcție de modurile în care este utilizată unealta, în special de ce fel de piese de prelucrat este prelucrată, în funcție de următoarele exemple și alte variații ale modului în care este utilizată unealta: Modul în care scula este folosită și tipul de materiale tăiate sau sfredelite. Scula este în stare bună de funcționare și bine întreținută. Folosirea accesoriului corect pentru sculă și păstrarea acesteia în condiții bune. Forța de apucare a mânerelor și dacă s-a utilizat accesoriu de reducere a vibrațiilor și a zgomotului. Scula este folosită conform indicațiilor din fabrică și conform acestor instrucțiuni.

Această sculă poate cauza sindromul vibrație mână-braț dacă nu este folosită în mod corespunzător.



ATENȚIONARE: Pentru a fi precisă, o estimare a nivelului de expunere în condițiile reale de utilizare ar trebui să țină seama și de toate părțile ciclului de funcționare, cum ar fi momentele în care unealta este oprită și când funcționează inactiv, dar nu efectuează efectiv treaba. Acest lucru poate reduce semnificativ nivelul de expunere pe întreaga perioadă de lucru.

Minimalizarea riscului de expunere la vibrații și la zgomot.

Folosiți ÎNTOTDEAUNA dalte, burghiuri și lame ascuțite.

Păstrați acest aparat în conformitate cu aceste instrucțiuni și păstrați-l bine gresat (dacă e cazul).

Dacă unealta va fi utilizată în mod regulat, atunci nu ezitați să investiți în procurarea de accesorii antivibrație și antizgomot.

Planificați-vă programul de lucru pentru a folosi sculele cu număr mare de vibrații de-a lungul a mai multe zile.

ACCESORII

Mâner suplimentar	1
Ecartament adâncime	1
Husă de praf	1

Vă recomandăm să achiziționați accesoriile de la același magazin de la care ați cumpărat unealta. Consultați ambalajul accesoriului pentru detalii suplimentare. Personalul din magazin vă poate oferi asistență și sfaturi.

INSTRUCȚIUNI DE OPERARE



NOTĂ: Înainte de a utiliza unealta, citiți cu atenție manualul de instrucțiuni.

UTILIZAREA RECOMANDATĂ

Mașina este destinată perforării cu ciocan în beton, cărămidă și piatră, precum și pentru lucrări ușoare de dăltuire. În plus, este potrivită pentru perforarea fără impact în lemn, metal, ceramică și plastic.

ASAMBLAREA

1. INSTALAREA MÂNERULUI AUXILIAR (A SE VEDEA FIG. A)

Pentru siguranța dvs. vă recomandăm să utilizați întotdeauna mânerul auxiliar.

Rotiți prinderea manuală a mânerului auxiliar în sens antiorar pentru a slăbi inelul de prindere. Glisați inelul de prindere al mânerului auxiliar pentru colierul mânerului ciocanului și rotiți mânerul în jurul colierului până când mânerul ajunge în poziția de lucru dorită.

Rotiți prinderea manuală în sens orar pentru a fixa mânerul auxiliar în poziție.

AVERTISMENT: Mânerul auxiliar trebuie folosit în timpul funcționării.

2. MONTAREA INDICATORULUI DE ADÂNCIME (A SE VEDEA FIG. B)

Indicatorul de adâncime se poate utiliza pentru a seta o adâncime constantă pentru ciocan.

Rotiți șurubul de blocare (a) din partea de sus a mânerului auxiliar în sens antiorar pentru a-l slăbi, introduceți indicatorul de adâncime în orificiul mânerului. Reglați-l la adâncimea dorită. Rotiți șurubul de blocare în sens orar pentru a-l strânge.

3. INTRODUCEREA ȘI ELIMINAREA VÂRFULUI DE PERFORARE (NU ESTE FURNIZAT) (A SE VEDEA FIG. C)

Evitați deteriorarea capacului de protecție împotriva prafului la schimbarea uneltelor.

- INTRODUCEREA

Curățați și lubrifiați ușor vârful înainte de introducere.

Trageți înapoi manșonul de blocare a suportului de unelte și introduceți vârful fără praf în suportul de unelte cu o mișcare de răsucire până se fixează în poziție.

Vârful se blochează singur. Verificați blocarea trăgând de unealtă.

- SCOATEREA

Trageți înapoi manșonul de blocare a suportului de unelte și scoateți vârful.



AVERTISMENT: Noul ciocan rotativ generează forțe puternice pentru a vă face treaba rapid și eficient. Aceste forțe pot determina ruperea vârfurilor SDS de calitate inferioară și blocarea în mandrină. Prin urmare, vă recomandăm să utilizați numai vârfuri SDS de calitate superioară cu această unealtă.

FUNCȚIONAREA

1. COMUTATOR DE PORNIRE/OPRIRE (A SE VEDEA FIG. D)

Apăsați comutatorul de pornire/oprire pentru a porni și eliberați-l pentru a opri unealta.

2. CONTROLUL VITEZEI VARIABILE (A SE VEDEA FIG. E)

Cu controlul vitezei variabile poate fi selectată viteza dorită (inclusiv în timpul funcționării).

Viteza necesară depinde de material și trebuie stabilită printr-o încercare practică.

3. MÂNER ANTI VIBRAȚII

Mânerul anti vibrații reduce vibrațiile, făcând operarea mai confortabilă și mai sigură.

4. HUSĂ DE PRAF (A SE VEDEA FIG. F)

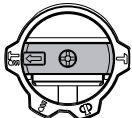

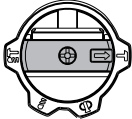
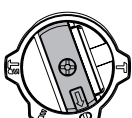
Înainte de a găuri, așezați husa de praf peste vârful de perforare.

AVERTISMENT: Purați întotdeauna ochelari de protecție când folosiți această mașină.

5. SELECȚAREA MODULUI DE FUNCȚIONARE (A SE VEDEA FIG. G)

Funcționarea cutiei de viteze pentru fiecare aplicație este setată cu selectorul modului de funcționare. Pentru a comuta între funcții, apăsați butonul de deblocare (b) și rotiți cadranul selectorului în modul de funcționare dorit.

NOTĂ: După ce rotiți în poziția dorită, mutați cadranul selectorului ușor în dreapta sau stânga pentru a vedea dacă selectorul este fixat în poziție.

	Mod de perforare simultană și cu impact a betonului, zidărie
	Mod pentru sau de perforare în oțel, lemn și materiale plastice
	Mod pentru sau de dăltuire
	Mod pentru reglarea unghiului mandrinei de dăltuire NOTĂ: Selectați acest mod de funcționare "G" mai întâi, reglați unghiul mandrinei în direcția dorită. Apoi selectați modul de funcționare la "T", pentru a realiza dăltuirea.

AVERTISMENT: Selectorul modului de funcționare poate fi acționat numai în când mașina este oprită.

SFATURI PRIVIND LUCRUL CU UNEALTA

1. Reduce presiunea asupra burghiului atunci când este vorba de a sparge prin intermediul. Acest lucru va preveni foraj de bruiaj.
2. Când o gaură mare, faceți mai întâi o gaură pilot cu un burghiu mai mic.
3. Întotdeauna se aplică presiune pentru bit ta forare în linie dreaptă, iar dacă este posibil, în unghi drept față de piesa de prelucrat.
4. Nu schimba modul de operare în timp ce de foraj se execută.
5. Nu aplicați presiune excesivă a acestui instrument atunci când cizelare. Forța expresivă nu accelera munca.

ÎNTREPINEREA

Scoateți fișă din priză înainte de efectuarea oricărei reglări, lucrări de servizare sau întreținere.


Nu există componente de schimb în scula electrică. Nu folosiți niciodată apă sau chimice pentru a curăța mașina dumneavoastră de putere. Ștergeți cu o cârpă uscată. Nu lăsați niciodată scula electrică într-un loc uscat. Fantele de aerisire cu motor curat. Păstrați toate comenzile de lucru lipsit de praf. Ocazional, puteți vedea scânteii prin fantele de ventilație. Acest lucru este normal și nu va deteriora scula electrică.

În cazul în care cablul de alimentare este deteriorat, acesta trebuie înlocuit de către producător, agentul său de service sau de personal calificat în domeniu pentru a evita orice pericol.

DEPANAREA

1. În cazul în care unealta electrică nu pornește, verificați mai întâi ștecherul cablului de alimentare.
2. Dacă ciocanul devine prea fierbinte în timpul utilizării, poziționați comutatorul ciocanului la modul de găurire și lăsați-l să funcționeze la turație maximă în gol timp de 2 minute.
3. Dacă eficiența lucrului cu ciocanul scade, vă rugăm să adăugați suficientă unsoare în cutia de unsoare.
4. Dacă eficiența lucrărilor efectuate cu ciocanul scade, vă rugăm să verificați dacă accesoriul utilizat nu este tocit.
5. În cazul în care un defect nu poate fi remediat, returnați unealta la un distribuitor autorizat pentru reparație.

PROTECȚIA MEDIULUI

 Produsele electrice nu trebuie depuse la deșeurile împreună cu gunoii menajeri. Vă rugăm să depuneți produsele electrice la unitățile de reciclare existente. Consultați-vă cu autoritățile locale sau cu distribuitorul pentru sfaturi privind reciclarea.

DECLARAȚIE DE CONFORMITATE

Noi,
POSITEC Germany GmbH
Postfach 32 02 16, 50796 Cologne, Germany

Declarăm că produsul
Descriere **Ciocan articulată**
Tip **DX27 (27-denumirea echipamentului, reprezentând Ciocan rotopercutor)**
Funcție **Ciocănire a diverselor materiale**

Este conform cu următoarele directive
2006/42/EC,
2014/30/EU,
2011/65/EU&(EU)2015/863

Standardele sunt conforme cu
EN 62841-1, EN IEC 62841-2-6, EN IEC 55014-1, EN IEC 55014-2, EN IEC 61000-3-2, EN 61000-3-3

Persoana responsabilă pentru elaborarea fișei tehnice,
Nume Marcel Filz
Adresa POSITEC Germany GmbH
Postfach 32 02 16, 50796 Cologne, Germany

RO



2022/11/22
Allen Ding
Adjunct Inginer șef, Testare și certificare
Positec Technology (China) Co., Ltd.
18, Dongwang Road, Suzhou Industrial
Park, Jiangsu 215123, P. R. China

PŮVODNÍ NÁVOD K POUŽÍVÁNÍ BEZPEČNOST VÝROBKU OBCENÁ BEZPEČNOSTNÍ UPOZORNĚNÍ PRO ELEKTRICKÉ NÁSTROJE



VAROVÁNÍ Přečtěte si všechna bezpečnostní varování, pokyny, seznamte se s ilustracemi a technickými údaji dodanými s tímto elektrickým nářadím. Nedodržení jakýchkoliv níže uvedených pokynů může mít za následek úraz elektrickým proudem, vznik požáru nebo vážného úrazu.

Uložte instrukce a veškerou dokumentaci pro budoucí použití.

Výraz "elektrické ruční nářadí" znamená v upozornění buď na nářadí na elektrický pohon (napájené elektrickou sítí) nebo na akumulátorové nářadí (napájené z akumulátoru).

1. BEZPEČNOST NA PRACOVÍŠTI

- a) **Udržujte pracoviště v čistotě a dobře osvětlené.** Pracoviště plné nepotřebných předmětů nebo slabě osvětlené zvyšuje možnost úrazu.
- b) **Nepoužívejte elektrické ruční nářadí v prostředí náchylném na exploze jako například v přítomnosti hořlavých tekutin, plynů nebo prachu.** Elektrické ruční nářadí při práci vytváří jiskry, které mohou vznítit prach nebo výpary.
- c) **Při práci s elektrickým ručním nářadím udržujte děti a přihlížející osoby v dostatečné vzdálenosti.** Ztráta pozornosti může vést ke ztrátě kontroly nad nářadím.

2. BEZPEČNOST PŘI PRÁCI S ELEKTRINOU

- a) **Vidlice elektrického ručního nářadí musí být shodného typu jako zásuvky el. sítě. Neměňte vidlici nedovoleným nebo neodborným způsobem, předejete tak možným zraněním nebo úrazu el proudem.** Nepoužívejte spolu s uzemněným ručním nářadím žádné adaptéry, které neumožňují ochranu zemněním.
- b) **Vyhýbejte se kontaktu s uzemněnými povrchy jako například trubkami, radiátory, sporáky a ledničkami.** Je-li vaše tělo spojené s uzemněným předmětem nebo stojí na uzemněné ploše, vzniká zvýšené riziko úrazu elektrickým proudem.
- c) **Nevystavujte ruční nářadí dešti nebo vlhkým podmínkám.** Když se voda dostane pod povrch elektrického ručního nářadí, vzniká zvýšené riziko úrazu elektrickým proudem.
- d) **Nemanipulujte s napájecím kabelem necitlivě. Nikdy si nepřítahujte elektrické ruční nářadí k sobě pomocí kabelu, netahejte je za sebou pomocí kabelu a nevytrhávejte kabel ze zástrčky, abyste ruční nářadí vypnuli.** Nevystavujte kabel vysokým teplotám, oleji, ostrým hranám nebo

kontakty s pohyblivými díly. Poškozené nebo zamotané kabely mohou vést k zvýšenému riziku úrazu elektrickým proudem.

- e) **Při práci s ručním nářadím v exteriéru použijte prodlužovací kabel vhodný pro použití v exteriéru.** Použijte kabel vhodný pro venkovní prostředí, snižujete tím riziko vzniku úrazu elektrickým proudem.
- f) **Pokud je práce s ručním nářadím ve vlhkých podmínkách nevyhnutelná, použijte napájení chráněné jističem typu proudový chránič (RCD).** Použití RCD jističe redukuje riziko vzniku úrazu elektrickým proudem.

3. OSOBNÍ BEZPEČNOST

- a) **Buďte soustředění, sledujte co děláte a při práci s ručním nářadím se řiďte zdravým rozumem. Nepoužívejte ruční nářadí, jste-li naveni nebo pod vlivem omamných látek, alkoholu nebo léků.** Moment nepozornosti při práci s ručním nářadím může vést k vážnému osobnímu zranění.
- b) **Použijte osobní ochranné pomůcky. Vždy noste ochranu očí.** Ochranné pomůcky jako například proti prachová maska, boty s protiskluzovou podrážkou nebo chrániče sluchu použité v příslušných podmínkách pomáhají redukovat nebezpečí vážného osobního zranění.
- c) **Předcházejte neúmyslnému zapnutí. Ujistěte se, že vypínač je ve vypnuté poloze předtím, než zapojíte nářadí do elektrické sítě a nebo k akumulátoru, rovněž při zvedání nebo nošení nářadí.** Nošení nářadí s prstem na vypínači nebo nářadí pod napětím zvyšuje možnost úrazu.
- d) **Odstraňte jakékoliv nastavovací nebo maticové klíče a šrouby předtím, než zapnete ruční nářadí.** Nastavovací nebo jiný klíč ponechaný na rotující části ručního nářadí může způsobit osobní úraz.
- e) **Nepřecneňte se. Udržujte si stabilitu a pevnou zem pod nohama za každých podmínek.** Umožňuje vám to lepší kontrolu nad ručním nářadím v neočekávaných situacích.
- f) **Pro práci se vhodné oblečte. Nenoste volné oblečení nebo šperky. Udržujte své vlasy, oblečení a rukavice ve vzdálenosti od pohyblivých částí.** Volné oblečení, šperky nebo dlouhé vlasy se mohou do pohyblivých částí zachytit.
- g) **Pokud jsou zařízení nastavená na spojení se zařízeními na zachytávání a extrakci prachu, ujistěte se, že jsou tato zařízení správně připojena a použita.** Použitím sběrače prachu redukuje rizika vyvolaná prachem.
- h) **Nedopust'te, abyste díky zkušenostem nabytým častým používáním elektrického nářadí přestali dodržovat základy bezpečného použití.** Neopatrný úkon může způsobit vážný úraz během zlomku sekundy.

4. POUŽITÍ A ÚDRŽBA RUČNÍHO NÁŘADÍ

- a) **Na ruční nářadí netlačte. Použijte správné ruční nářadí pro danou činnost.** Správné ruční nářadí udělá práci lépe a takovou rychlostí, pro kterou bylo navrženo.

- b) Nepoužívejte ruční nářadí, pokud správně nefunguje vypínač on/off.** Jakékoliv ruční nářadí, které se nedá ovládat vypínačem, je nebezpečné a musí být opraveno.
- c) Dříve než začnete dělat jakékoliv úpravy, vyměňovat doplňky nebo ruční nářadí odkládat, odpojte zástrčku od sítě a nebo akumulátoru.** Taková preventivní bezpečnostní opatření redukuje riziko náhodného zapnutí ručního nářadí.
- d) Nepoužíváte-li ruční nářadí, skladujte je mimo dosah dětí a nedovolte osobám, které nemají zkušenosti s prací s ručním nářadím nebo neznají tyto pokyny, s nářadím pracovat.** Ruční nářadí je nebezpečné v rukách neškolené a nezkušené osoby.
- e) Údržba ručního nářadí. Zkontrolujte chybné připojení nebo spojení pohyblivých částí, zlomené části nebo jiné okolnosti, které by mohly ovlivnit funkčnost ručního nářadí.** Je-li nářadí poškozeno, nechte je před novým použitím opravit. Mnoho úrazů vzniká proto, že je elektrické ruční nářadí špatně udržováno.
- f) Udržujte řezné nástroje ostré a čisté.** Správně udržované řezné nástroje s ostrými řezacími hranami jsou méně náchylné na zakousnutí a lépe se ovládají.
- g) Používejte elektrické nářadí v souladu s těmito pokyny, berte v úvahu pracovní podmínky a druh vykonávané práce.** Je-li elektrické nářadí použito na jiné účely, než je určeno, může docházet k nebezpečným situacím.
- h) Rukojeti a povrchy držadel udržujte suché, čisté, bez maziv a tuků.** Kluzké rukojeti a držadla neumožňují bezpečnou manipulaci a obsluhu nářadí v neočekávaných situacích.

5. Servis

- a) Servisní práce na nářadí nechte provést kvalifikovanými pracovníky za použití originálních náhradních dílů.** Výsledkem bude trvalá bezpečnost při práci s elektrickým nářadím.

BEZPEČNOSTNÍ VÝSTRAHY PRO PŘÍKLEP

- 1) Bezpečnostní pokyny pro všechny operace**
- a) Připojte napájecí kabel do sítě pouze pokud je kladivo připraveno k práci.** Pokud kladivo nepoužíváte, odpojte ho od el.sítě.
- b) Přívodní kabel ved'te vždy směrem od přístroje.**
- c) Pokud provádíte práce, při kterých může příklepový nástroj zasáhnout skrytá elektrická vedení nebo vlastní síťový kabel, pak držte elektrické nářadí za izolované plochy rukojeti.** Kontakt s vedením pod napětím může přivést napětí i na kovové díly elektrického nářadí a způsobit úraz elektrickým proudem.
- 2) Bezpečnostní pokyny při použití dlouhých vrtáků s vrtacími kladivy**
- a) Vždy začínejte vrtat při nízké rychlosti a s hrotem vrtáku v kontaktu s obrobkem.**

Při vyšších rychlostech se vrták pravděpodobně ohne, pokud se nechá volně otáčet bez kontaktu s obrobkem, což má za následek zranění osob.

- b) Vyuvíjte tlak pouze v přímé linii s bitem a nevyvíjte nadměrný tlak.** Bity se mohou ohnout, způsobit zlomení nebo ztrátu kontroly a způsobit zranění.

DODATEČNÁ BEZPEČNOSTNÍ PRAVIDLA PRO KLADIVO

- 1. Používejte protiprachovou masku (respirátor).**

SYMBOLY



Pro omezení rizika zranění si pečlivě přečtěte návod k obsluze



Výstraha



Používejte ochranu sluchu



Používejte pomůcky pro ochranu očí



Používejte protiprachovou masku



Dvojitá izolace



Vysloužilé elektrické přístroje by neměli být vyhazovány společně s odpadem z domácnosti. Nářadí recyklujte ve sběrnách k tomu účelu zřízených. O možnostech recyklace se informujte na místních úřadech nebo u prodejce


SEZNAM SOUČÁSTEK

1. OCHRANNÁ KRYTKA PROTI PRACHU
2. ZAJIŠŤOVACÍ OBJÍMKA DRŽÁKU NÁŘADÍ
3. HLOUBKOMĚR
4. VOLIČ REŽIMU FUNKČNÍHO REŽIMU
5. ANTIVIBRAČNÍ RUKOJEŤ
6. HLAVNÍ VYPÍNAČ
7. MĚNITELNÁ REGULACE OTÁČEK
8. POMOČNÁ RUKOJEŤ
9. KRYT PROTI PRACHU

Ne všechno zobrazené nebo popsané příslušenství je obsaženo ve standardním balení.

TECHNICKÉ ÚDAJE

Typové DX27 (27 - označení stroje, zástupce vrtacího kladiva)

Napětí		220-240V~50/60Hz
Příkon		1500W
Otáčky bez zatížení		0-920 /min
Otáčky rázu		0-3700/min
Energie nárazu		5.0J
Typ sklíčidla		SDS-Plus
Max. kapacita vrtání	Ocel	13mm
	Dlaždice	32mm
	Dřevo	40mm
Třída ochrany		 /II
Hmotnost stroje		5.7kg

CZ

INFORMACE O HLUKU

Vážený akustický tlak		L_{pA} : 93,3 dB (A)
K_{pA} =		3 dB(A)
Vážený akustický výkon		L_{wA} : 104,3 dB (A)
K_{wA} =		3 dB(A)
Používejte ochranu sluchu.		

INFORMACE O VIBRACÍCH

Celkové hodnoty vibrací (trojosé nebo vektorové součtové měření) stanovené v souladu s EN 62841:	
Vrtání s přiklepem do betonu	Hodnota vibračních emisí: $a_{h,p} = 8,35 \text{ m/s}^2$
	Kolísání K = 1,5 m/s^2
Bourání	Hodnota vibračních emisí: $a_{h,p} = 7,68 \text{ m/s}^2$
	Kolísání K = 1,5 m/s^2

Deklarovaná celková hodnota vibrací a deklarovaná hodnota emise hluku byly měřeny v souladu se standardní zkušební metodou a lze je použít pro porovnání jednoho nástroje s druhým.

Deklarovaná celková hodnota vibrací a deklarovaná hodnota emise hluku mohou být také použity při předběžném posouzení expozice.



VAROVÁNÍ: Emise vibrací a hluku při skutečném používání elektrického nářadí se mohou lišit od

deklarované hodnoty v závislosti na způsobech použití nářadí, zejména na tom, jaký druh obrobku se zpracovává, v závislosti na následujících příkladech a dalších variantách způsobu použití nářadí:

Jak je nářadí používáno a jaké materiály budou řezány nebo vrtány.

Nářadí musí být v dobrém stavu a musí být prováděna jeho řádná údržba.

S nářadím musí být používáno správné příslušenství, a toto příslušenství musí být ostré a v dobrém stavu.

Pevnost uchopení rukojetí a zda je použito jakékoliv příslušenství snižující úroveň vibrací a hluku.

Toto nářadí může být použito pouze pro určené účely a podle těchto pokynů.

Není-li toto nářadí používáno odpovídajícím způsobem, může způsobit syndrom nemoci způsobené působením vibrací na ruce a paže obsluhy.



VAROVÁNÍ: Abychom byli přesní, odhad úrovně expozice ve skutečných podmínkách použití by měl také brát v úvahu všechny části provozního cyklu, jako jsou doby, kdy je nástroj vypnutý a kdy běží naprázdno, ale ve skutečnosti neprovádí práci. To může významně snížit úroveň expozice po celou pracovní dobu.

Pomáhá minimalizovat riziko působení vibrací a hluku.

VŽDY používejte ostré sekáče, vrtáky a nože.

Provádějte údržbu tohoto nářadí podle těchto pokynů a zajistěte jeho řádné mazání (je-li to vhodné).

Pokud bude nářadí používáno pravidelně, pak investujte do příslušenství snižujícího úroveň vibrací a hluku.

Vypracujte si svůj plán práce, abyste působení vysokých vibrací tohoto nářadí rozdělily do několika dnů.

PŘÍSLUŠENSTVÍ

Přídavná rukojeť	1
Hloubkoměr	1
Kryt proti prachu	1

Doporučujeme zakoupit příslušenství u stejného prodejce, u kterého jste koupili nářadí. Pro další detaily prostudujte obal příslušenství. Personál obchodu vám může pomoci a poradit.

PROVOZNÍ POKYNY



POZNÁMKA: Před použitím nářadí si pečlivě přečtěte návod k obsluze.

ÚČEL POUŽITÍ

Stroj je určen pro příklepové vrtání do betonu, cihel a kamene a pro lehké sekací práce. Je také vhodný pro vrtání bez příklepu do dřeva, kovu, keramiky a plastů.

MONTÁŽ

1. INSTALACE POMOCNÉ RUKOJETI (VIZ OBR. A)
Pro vaši osobní bezpečnost doporučujeme vždy používat pomocnou rukojeť.

Otáčením madla pomocné rukojeti proti směru hodinových ručiček uvolníte upínací kroužek. Posuňte upínací kroužek na pomocnou rukojeť přes límeček rukojeti kladiva a otočte rukojeť okolo límečku, dokud nebude rukojeť v požadované pracovní poloze. Otáčejte rukojeť ve směru hodinových ručiček, abyste utáhli pomocnou rukojeť.

! VÝSTRAHA: Během používání je nutné používat pomocnou rukojeť.

2. INSTALACE HLOUBKOMĚRU (VIZ OBR. B)

Hloubkoměr lze použít k nastavení konstantní hloubky vrtání. Uvolněte aretační šroub (a) na horní straně pomocné rukojeti otáčením proti směru hodinových ručiček, vložte hloubkoměr do otvoru v rukojeti. Nastavte jej do požadované hloubky. Utáhněte aretační šroub otáčením po směru hodinových ručiček.

3. VLOŽENÍ A VYJMUTÍ BITU VRTAČKY (NENÍ DODÁVÁNO) (VIZ OBR. C)

Při výměně nástrojů dávejte pozor, aby se nepoškodila ochranná krytka proti prachu.

- VLOŽENÍ

Před vložením bitu očistěte a lehce naolejujte. Zasuňte zpět zajišťovací objímku držáku nástroje a otáčivým pohybem zasuňte do držáku nástroje bit bez prachu, dokud nezaklapne.

Bit se sám zajišťí. Zajištění zkontrolujte zatažením za nářadí.

- VYJMUTÍ

Sklopte zpět zajišťovací objímku držáku nástroje a vytáhněte bit.

! VÝSTRAHA: Vaše nové vrtací kladivo generuje silné síly, aby vaše práce byla hotová rychle a efektivně. Tyto síly mohou způsobit zlomení bitů SDS nižší kvality a zaseknutí ve sklíčidle. Proto doporučujeme s tímto nářadím používat pouze vysoce kvalitní bity SDS.

PROVOZ

1. HLAVNÍ VYPÍNAČ (VIZ OBR. D)

Stisknutím vypínače jej zapnete a uvolněním nářadí zastavíte.

2. OVLADAČ S VARIABILNÍ RYCHLOSTÍ (VIZ OBR. E)

Regulací otáček lze volit požadované otáčky (i za chodu). Požadované otáčky závisí na materiálu a bude stanovena praktickou zkouškou.

3. ANTIVIBRAČNÍ RUKOJEŤ

Antivibrační rukojeť snižuje vibrace, díky čemuž je provoz pohodlnější a bezpečnější.

4. KRYT PROTI PRACHU (VIZ OBR. F)

Před vrtáním umístěte kryt proti prachu přes vrtací bit.

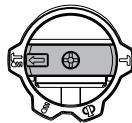


VÝSTRAHA: Při používání tohoto nářadí vždy na sobě mějte ochranu zraku.

5. VÝBĚR REŽIMU FUNKCE (VIZ OBR. G)

Činnost převodovky pro každou aplikaci se nastavuje voličem funkčního režimu. Chcete-li přepínat mezi funkcemi, stiskněte odblokovací tlačítko (b) a otočte voličem do požadovaného provozního režimu.

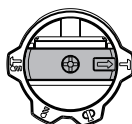
POZNÁMKA: Po otočení do požadované polohy posuňte volicí knoflík mírně doleva nebo doprava abyste zkontrolovali, zda je zavčaknutý.



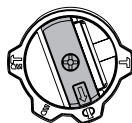
Režim pro simultánní vrtání a ražení betonu, zdiva



Režim pro vrtání do oceli, dřeva a plastů



Režim pro sekání



Režim pro nastavení úhlu sklíčidla při sekání

POZNÁMKA: Nejprve zvolte tento funkční režim "D" upravte úhel sklíčidla do požadovaného směru. Poté vyberte režim funkce na "T", a proveďte sekání.



VÝSTRAHA: Přepínač provozního režimu lze uvést do chodu pouze v klidovém stavu.

TIPY PRO PRÁCI S NÁŘADÍM

- Při vrtání skrz snižte před provrtáním otvoru tlak na vrták. Zabráníte tím zaseknutí vrtáku.
- Při vrtání velkého otvoru vyvrtejte nejprve vodící otvor vrtákem menšího průměru.
- Na vrták vždy tlače pouze v jeho ose a pokud je to možné, kolmo k povrchu vrtaného předmětu.
- Nikdy nepřepínejte provozní režimy za chodu.
- Při sekání nevyvíjejte příliš velký tlak. Zvýšení tlaku nemá vliv na rychlost práce.

ÚDRŽBA

Před prováděním nastavení, servisních prací nebo údržbě vyjměte z nářadí baterii.

Vaše elektrické nářadí neobsahuje žádné komponenty, jejichž údržbu může provádět uživatel. Elektrické nářadí nikdy nečistěte vodou ani chemikáliemi. Čistěte je suchou tkaninou. Nářadí vždy ukládejte na suchém

místě. Udržujte ventilační drážky elektromotoru čisté. Všechny ovládací prvky chráňte před prachem. Ve ventilačních drážkách můžete někdy spatřit jiskry. Jde o normální jev, který vaše nářadí nepoškozuje. Pokud je napájecí kabel poškozený, musí být výměněn výrobcem, servisním technikem, nebo stejně kvalifikovanou osobou, aby se zabránilo riziku úrazu el.

ODSTRAŇOVÁNÍ ZÁVAD

1. Pokud nářadí nereaguje na zapnutí, zkontrolujte nejprve zapojení přívodního kabelu do zásuvky.
2. Pokud se vrtací kladivo při práci příliš zahřeje, nastavte volič do režimu vrtání a nechte kladivo 2 minuty běžet naprázdno v režimu vrtání při maximálních otáčkách.
3. Pokud je pracovní účinnost kladiva příliš nízká, doplňte do zásobníku dostatečné množství maziva.
4. Pokud je pracovní účinnost kladiva příliš nízká, zkontrolujte, zda není sekáč tupý.
5. Pokud problém nelze vyřešit, nechte nářadí opravit u autorizovaného prodejce.

OCHRANA ŽIVOTNÍHO PROSTŘEDÍ



Elektrické výrobky se nesmí likvidovat spolu s domácím odpadem. Recyklujte ve sběrných místech na tento účel zařízených. O možnosti recyklace se informujte u místních úřadů nebo u prodejce.

PROHLÁŠENÍ O SHODĚ

My,
POSITEC Germany GmbH
Postfach 32 02 16, 50796 Cologne, Germany

Prohlašujeme, že tento výrobek,
Popis **Rotační kladivo**
Type **DX27 (27–označení stroje, zástupce Rotační kladivo)**

Funkce **Sekání v různých materiálech**

Splňuje následující směrnice:
2006/42/EC,
2014/30/EU,
2011/65/EU&(EU)2015/863

Splňované normy
EN 62841-1, EN IEC 62841-2-6, EN IEC 55014-1, EN IEC 55014-2, EN IEC 61000-3-2, EN 61000-3-3

Osoba oprávněná uspořádat technický soubor:

Název Marcel Filz
Adresa POSITEC Germany GmbH
Postfach 32 02 16, 50796 Cologne, Germany



2022/11/22
Allen Ding
Zástupce vrchní konstrukční kanceláře,
Testování & Certifikace
Positec Technology (China) Co., Ltd
18, Dongwang Road, Suzhou Industrial
Park, Jiangsu 215123, P. R. China

PÔVODNÝ NÁVOD NA POUŽITIE BEZPEČNOSŤ VÝROBKU VŠEOBECNÉ BEZPEČNOSTNÉ VAROVANIA NA POUŽÍVANIE ELEKTRICKÉHO NÁRADIA



VAROVANIE Prečítajte si všetky bezpečnostné varovania, pokyny, zoznámete sa s ilustráciami a technickými údajmi dodanými s týmto elektrickým náradím. Nedodržanie akýchkoľvek nižšie uvedených pokynov môže mať za následok úraz elektrickým prúdom, vznik požiaru alebo vážneho úrazu.

Odložte si všetky varovania a inštrukcie pre budúcu potrebu.

Výraz „elektrické ručné náradie“ vás vo varovaniach odkazuje buď na náradie na elektrický pohon (napájané z elektrickej siete) alebo na akumulátorové náradie (napájané z akumulátora).

1. BEZPEČNOSŤ NA PRACOVISKU

- a) **Udržujte pracovisko čisté a dobre osvetlené.** Pracovisko plné nepotrebných predmetov alebo slabo osvetlené zvyšuje možnosť úrazu.
- b) **Nepoužívajte elektrické ručné náradie v prostredí náchylnom na explóziu, ako napríklad v prítomnosti horľavých tekutín, plynov alebo prachu.** Elektrické ručné náradie vytvára iskry, ktoré môžu vznietiť prach alebo výpary.
- c) **Udržujte deti a prizerajúcich sa v dostatočnej vzdialenosti pri práci s elektrickým ručným náradím.** Strata pozornosti môže viesť k strate kontroly nad náradím.

2. BEZPEČNOSŤ PRI PRÁCI S ELEKTRINOU

- a) **Prípojky elektrického ručného náradia musia byť zhodné so zástrčkami.** Nemoifikujte prípojku žiadnym spôsobom. Nepoužívajte spolu s uzemneným ručným náradím žiadne adaptérové prípojky, ktoré neumožňujú ochranu uzemnením. Pôvodné prípojky a k nim prislúchajúce zástrčky znižujú riziko úrazu elektrickým prúdom.
- b) **Vyhýbajte sa kontaktu s uzemnenými povrchmi, ako napríklad rúrkami, radiátormi, sporákmi a chladničkami.** Keď je vaše telo spojené s uzemneným predmetom alebo stojí na uzemnenom území, je zvýšené riziko elektrického šoku.
- c) **Nevystavujte ručné náradie dažďu alebo vlhkým podmienkam.** Keď sa voda dostane pod povrch elektrického ručného náradia, je zvýšené riziko elektrického šoku.
- d) **Nezaobchádzajte s káblom prípojky necitlivo.** Nikdy si nepríťahuje elektrické náradie k sebe pomocou kábla, neťahajte ho za sebou pomocou kábla a

nevytrhávajte kábel zo zástrčky aby ste ručné náradie vypili. Nevystavujte kábel vysokým teplotám, oleju, ostrým hranám alebo pohyblivým častiam. Poškodené alebo zamotané káble môžu viesť k zvýšenému riziku elektrického šoku.

- e) **Pri práci s ručným náradím v exteriéri použite predlžovací kábel vhodný na použitie v exteriéri.** Použitím kábla vhodného na použitie v exteriéri redukuje riziko vzniku elektrického šoku.
- f) **Pokiaľ je práca s ručným náradím vo vlhkých podmienkach nevyhnutná, použite napájanie chránené ističom typu prúdový chránič (RCD).** Použitie RCD ističa redukuje riziko vzniku elektrického šoku.

3. OSOBNÁ BEZPEČNOSŤ

- a) **Buďte sústredení, sledujte, čo robíte, a pri práci s ručným náradím sa riadte zdravým rozumom.** Nepoužívajte ručné náradie, keď ste unavení alebo pod vplyvom omamných látok, alkoholu alebo liekov. Moment nepozornosti pri práci s ručným náradím môže viesť k vážnemu osobnému zraneniu.
- b) **Použite osobné ochranné pomôcky. Vždy noste ochranu očí.** Ochranné pomôcky, ako napríklad protiprachová maska, topánky s protišmykovou podrážkou alebo chrániče sluchu použité v príslušných podmienkach pomáhajú redukovat' vážne osobné zranenia.
- c) **Predíd'te neúmyselnému zapnutiu.** Uistite sa, že prepínač je vo vypnutej pozícii, pred tým, než zapojíte náradie do elektriny a/ alebo k akumulátoru, pri zdvihnutí alebo nosení náradia. Nosenie náradia s prstom na prepínači alebo aktívneho náradia, ktoré je zapnuté, zvyšuje možnosť úrazu.
- d) **Odstráňte akékoľvek nastavovacie kľúče alebo kľúče na matice a skrutky pred tým, než zapnete ručné náradie.** Nastavovací alebo iný kľúč ponechaný pripevnený na rotujúcej časti ručného náradia môže spôsobiť osobný úraz.
- e) **Neprečunujte sa. Udržujte si stabilitu a pevnú zem pod nohami za každých podmienok.** Umožňuje vám to lepšiu kontrolu nad ručným náradím v neočakávaných situáciách.
- f) **Oblečte sa náležite. Nenoste voľné oblečenie alebo šperky.** Udržujte svoje vlasy, oblečenie a rukavice vzdialené od pohyblivých častí. Voľné oblečenie, šperky alebo dlhé vlasy sa môžu do pohyblivých častí zachytiť.
- g) **Pokiaľ sú zariadenia nastavené na spojenie so zariadeniami na zachytávanie a extrakciu prachu, uistite sa, že sú náležite využitá a pripojené.** Použitím zberača prachu redukuje riziká spojené s prachom.
- h) **Nedovoľte, aby ste vďaka skúsenostiam získaným častým používaním elektrického náradia prestali dodržiavať základy bezpečného použitia.** Neopatrný úkon môže spôsobiť vážny úraz v priebehu zlomku sekundy.

4. POUŽITIE A ÚDRŽBA RUČNÉHO NÁRADIA

- a) **Nepreťažujte ručné náradie.** Použite správne ručné náradie na danú činnosť.

SK

Správne ručné náradie spraví prácu lepšie a v medziach, na ktoré bolo navrhnuté.

- b) **Nepoužívajte ručné náradie, pokiaľ sa prepínač neprepína medzi zapnutím a vypnutím.** Akékoľvek ručné náradie, ktoré nie je kontrolovateľné prepínačom, je nebezpečné a musí byť opravené.
- c) **Pred akýmkoľvek nastavením, výmenou násad alebo uskladnením elektrického náradia vyťahnite sieťovú zástrčku zo zásuvky alebo, ak to bude možné, vyťahnite akumulátor.** Takéto preventívne bezpečnostné opatrenia redukujú riziko náhodného zapnutia ručného náradia.
- d) **Keď ručné náradie nepoužívate, skladujte ho mimo dosahu detí a nedovoľte osobám, ktoré nemajú skúsenosti s prácou s ručným náradím alebo neboli oboznámené s týmito inštrukciami, dotýkať sa náradia.** Ručné náradie je nebezpečné v rukách netrénovanej osoby.
- e) **Udržba ručného náradia. Skontrolujte chybné pripojenia alebo spojenia pohyblivých častí, zlomené časti alebo iné okolnosti, ktoré by mohli ovplyvniť funkčnosť ručného náradia. Pri poškodení musí byť pred použitím najprv elektrické ručné náradie opravené.** Mnoho úrazov vzniká preto, že je elektrické ručné náradie zle udržiavané.
- f) **Udržujte rezacie nástroje ostré a čisté.** Náležite udržiavané rezacie nástroje s ostrými rezacími hranami sú menej náchylné na „zaseknutie“ a sú ľahšie ovládateľné.
- g) **Používajte elektrické náradie v súlade týmito pokynmi, berte pritom do úvahy pracovné podmienky a druh vykonávanej práce.** Ak sa elektrické náradie použije na iné účely, než na čo je určené, môže dochádzať k nebezpečným situáciám.
- h) **Rukoväte a povrchy držiadiel udržiajte suché, čisté, bez mazív a tukov.** Šmyklivé rukoväte a držiadla neumožňujú bezpečnú manipuláciu a obsluhu náradia v neočakávaných situáciách.

5. Servis

- a) **Servisné práce na náradí nechajte vykonať kvalifikovaných pracovníkov s použitím originálnych náhradných dielov.** Výsledkom bude trvalá bezpečnosť pri práci s elektrickým náradím.

BEZPEČNOSTNÉ POKYNY PRE KLADIVÁ

- 1) **Bezpečnostné pokyny pre všetky operácie**
 - a) **Používajte chrániče sluchu.** Vystavenie sa hluku môže spôsobiť stratu sluchu.
 - b) **Používajte prídavné rukoväti, dodané s náradím.** Ak stratíte nad náradím kontrolu, môže dôjsť k zraneniu osôb.
 - c) **Pri vykonávaní takej práce, pri ktorej by mohol nástroj natrafiť na skryté elektrické vedenia alebo zasiahnuť**

samotnú prívodnú šnúru náradia, držte náradie len za izolované plochy rukoväti.

Kontakt s elektrickým vedením, ktoré je pod napätím, môže dostať pod napätie aj kovové súčiastky náradia a spôsobiť zásah elektrickým prúdom.

- 2) **Bezpečnostné pokyny pri používaní dlhých vrtákov s vrtacími kladivami**
 - a) **Vždy začinite vrtáť pri nízkej rýchlosti a s hrotom vrtáka v kontakte s obrobkom.** Pri vyšších rýchlostiach sa vrták pravdepodobne ohne, ak sa nechá voľne otáčať bez kontaktu s obrobkom, čo má za následok zranenie osôb.
 - b) **Tlačte iba v priamej línii s vrtákom a nevyvíjajte nadmerný tlak.** Bity sa môžu ohnúť, spôsobiť zlomenie alebo stratu kontroly, čo môže viesť k zraneniu osôb.

DODATOČNÉ BEZPEČNOSTNÉ PRAVIDLÁ PRE KLADIVO

- 1. **Vždy používajte ochrannú masku proti prachu.**

SYMBOLY



Kvôli zníženiu rizika poranenia je potrebné, aby si používateľ najprv prečítal návod



Výstraha



Používajte ochranu sluchu



Používajte ochranu očí



Používajte protiprachovú masku



Dvojitá izolácia



Elektrické výrobky sa nesmú likvidovať spolu s domácim odpadom. Recyklujte v zberných miestach na tento účel zriadených. O možnosti recyklácie sa informujte na miestnych úradoch alebo u predajcu.


ZOZNAM SÚČASTÍ

1. PROTIPRACHOVÁ MANŽETA
2. ZAIŠŤOVACIA OBJÍMKA
3. HĽBKOMER
4. OTOČNÝ VOLIČ FUNČNÉHO REŽIMU
5. PROTIVIBRAČNÁ RUKOVÄŤ
6. TLAČIDLO ZAPNÚŤ/VYPNÚŤ
7. OVLÁDAČ VARIABILNÝCH OTÁČOK
8. PRÍDAVNÁ RUKOVÄŤ
9. PROTIPRACHOVÝ KRYT

Do štandardnej dodávky nie je zahrnuté všetko zobrazené alebo opísané prislúšenstvo.

TECHNICKÉ ÚDAJE

Označenie typu DX27 (27 - označenie zariadenia predstavuje rotačné vŕtacie kladivo)

Napätie	220-240V~50/60Hz	
Príkion	1500W	
Otáčky naprázdno	0-920 /min	
Rýchlosť úderov	0-3700/min	
Energia príklepu	5.0J	
Typ sklučovadla	SDS-Plus	
Max. kapacita na vŕtanie	Oceľ	13mm
	Murivo	32mm
	Drevo	40mm
Trieda ochrany	 /II	
Hmotnosť zariadenia	5.7kg	

SK

INFORMÁCIE O HLUKU

Vážený akustický tlak	L_{pA} : 93,3 dB (A)
K_{pA} =	3 dB(A)
Vážený akustický výkon	L_{wA} : 104,3 dB (A)
K_{wA} =	3 dB(A)
Noste ochranu sluchu.	

INFORMÁCIE O VIBRÁCIÁCH

Výsledné celkové hodnoty pre vibrácie (suma pre trojosový vektor) stanovené podľa normy EN 62841:	
Príklepové vŕtanie do betónu	Hodnota emisie vibrácií: $a_{p,p} = 8,35 \text{ m/s}^2$
	Neurčitost' K = 1,5 m/s^2
Sekanie	Hodnota emisie vibrácií: $a_{p,p} = 7,68 \text{ m/s}^2$
	Neurčitost' K = 1,5 m/s^2

Deklarovaná celková hodnota vibrácií a deklarovaná hodnota emisie hluku boli namerané v súlade so štandardnou skúšobnou metódou a možno ich použiť na porovnanie jedného nástroja s druhým.

Deklarovaná celková hodnota vibrácií a deklarovaná hodnota emisie hluku sa môžu použiť aj pri predbežnom hodnotení expozície.



VAROVANIE: Emisie vibrácií a hluku pri skutočnom používaní elektrického náradia sa môžu líšiť od deklarovanej hodnoty v závislosti od spôsobu, akým sa náradie používa, najmä od toho, aký druh obrobku sa spracováva, v závislosti od nasledujúcich príkladov a iných variácií spôsobu použitia náradia: Ako sa náradie používa a aké materiály sa budú rezať alebo vŕtať.

Náradie musí byť v dobrom stave a musí byť vykonávaná jeho riadna údržba. S náradím sa musí používať správne príslušenstvo, a toto príslušenstvo musí byť ostré a v dobrom stave. Pevnosť uchopenia rukovätí a či je použité akékoľvek príslušenstvo znižujúce úroveň vibrácií a hluku. Toto náradie môže byť použité iba na určené účely a podľa týchto pokynov.

Ak sa toto náradie nepoužíva zodpovedajúcim spôsobom, môže spôsobiť syndróm choroby spôsobenej pôsobením vibrácií na ruky a paže obsluhy.



VAROVANIE: Aby sme boli presný, odhad úrovne vystavenia v skutočných podmienkach používania by mal brať do úvahy aj všetky časti pracovného cyklu, ako sú časy, keď je náradie vypnuté a keď beží naprázdno, ale v skutočnosti nevykonáva prácu. To môže výrazne znížiť úroveň expozície počas celej pracovnej doby. Pomáha minimalizovať riziko pôsobenia vibrácií a hluku. VŽDY používajte ostré sekáče, vrtáky a nože. Vykonávajte údržbu tohto náradia podľa týchto pokynov a zaistíte jeho riadne mazanie (ak je to vhodné). Ak bude náradie používané pravidelne, potom investujte do príslušenstva znižujúceho úroveň vibrácií a hluku. Vypracujte si svoj plán práce, aby ste pôsobenie vysokých vibrácií tohto náradia rozdelili do niekoľkých dní.

PRÍSLUŠENSTVO

Prídavná rukoväť	1
Hĺbkomer	1
Protiprachový kryt	1

Odporúčame príslušenstvo kúpiť v rovnakom obchode ako samotné náradie. Podrobnejšie informácie sú pribalené k jednotlivému príslušenstvu. Odborní predavači vám pomôžu a poradia.

NÁVOD NA OBSLUHU



POZNÁMKA: Pred používaním nástroja si pozorne prečítajte návod na obsluhu.

ZAMÝŠĽANÉ POUŽITIE

Toto zariadenie je určené na vrtanie s príklepom do betónu, tehál a kameňa a tiež na ľahké sekacie práce. Vhodné je aj na vrtanie bez príklepu do dreva, kov, keramiky a plastu.

MONTÁŽ

1. NAMONTOVANIE PRÍDAVNEJ RUKOVÁTE (POZRITE SI OBR. A)

Pre vašu osobnú bezpečnosť vám odporúčame, aby ste vždy používali prídavnú rukoväť.

Ak chcete uvoľniť upínací krúžok, prídavnú rukoväť otočte doprava. Upínací krúžok prídavnej rukoväte nasuňte na manžetu rukoväte vrtacieho kladiva a rukoväťou otáčajte na manžetu, kým nebude v požadovanej pracovnej polohe. Prídavnú rukoväť utiahnite v mieste otáčaním rukoväte doprava.



VÝSTRAHA: Počas prevádzky sa musí používať prídavná rukoväť.

2. VKLADANIE HĽBKOMERA (POZRITE SI OBR. B)

Hĺbkomer sa môže používať na nastavenie konštantnej hĺbky vrtanie s príklepom.

Poistnú skrutku (a) na hornej časti prídavnej rukoväte uvoľnite otáčaním doľava a do otvoru v rukoväti vložte hĺbkomer. Nastavte do na požadovanú hĺbku. Poistnú skrutku utiahnite otáčaním doprava.

3. VKLADANIE A VYBERANIE VRTÁKA (NIE JE SÚČASŤOU DOĐAVKY) (POZRITE SI OBR. C)

Dávajte pozor, aby nedošlo k poškodeniu protiprachovej manžety pri výmene nástrojov.

- VKLADANIE

Vrták pred vložením vyčistite a namažte. Zaistovaciú objímku na držiaku nástroja zatiahnite dozadu a do držiaka nástroja vložte otáčavým pohybom vrták bez prachu, až kým

nezapadne na miesto.

Vrták sa sám zaistí. Zaistenie skontrolujte potiahnutím nástroja.

- VYBERANIE

Zaistovaciú objímku na držiaku nástroja zatiahnite dozadu vrták vytiahnite.



VÝSTRAHA: Nové vrtacie kladivo generuje mohutné sily na rýchle a účinné vykonanie vašej práce. Tieto sily môžu spôsobiť zlomenie a zaseknutie vrtákov SDS horšej kvality v skľučovadle. Preto odporúčame používať v tomto nástroji iba vysokokvalitné vrtáky SDS.

PREVÁDZKA

1. TLAČIDLO ZAPNÚT/VYPNÚŤ (POZRITE SI OBR. D)

Nástroj zapnite stlačením tlačidla Zapnúť/vypnúť a zastavte ho uvoľnením tohto tlačidla.

2. OVLÁDAČ VARIABILNÝCH OTÁČOK (POZRITE SI OBR. E)

Ovládač variabilných otáčok umožňuje vybrať požadované otáčky (tiež počas chodu).

Požadované otáčky závisia od materiálu a musia sa určiť praktickou skúškou.

3. PROTIVIBRAČNÁ RUKOVÄŤ

Protivibračná rukoväť znižuje vibrácie, vďaka čomu je prevádzka pohodlnejšia a bezpečnejšia.

4. PROTIPRACHOVÝ KRYT (POZRITE SI OBR. F)

Pred vrtaním založte na vrták protiprachový kryt.




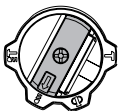
VÝSTRAHA: Pri používaní tohto nástroja vždy noste ochranné okuliare.

5. VÝBER REŽIMU FUNKCIE (POZRITE SI OBR. G)

Otočný volič režimu funkcie sa používa na nastavenie prevádzky prevodovky pre každé použitie. Ak chcete prepínať medzi funkciami, stlačte odistovacie tlačidlo (b) a otočný

volič otočte do požadovaného prevádzkového režimu.

POZNÁMKA: Otočný volič po otočení do požadovanej polohy trochu posuňte doľava alebo doprava a skontrolujte, či je nastavený v mieste.

	Režim pre súčasné vŕtanie a vŕtanie s príklepom do betónu, muriva
	Režim pre vŕtanie do ocele, dreva a plasty
	Režim pre sekanie
	Režim pre nastavenie uhla skľučovadla na sekanie POZNÁMKA: Najskôr vyberte tento režim funkcie " " a potom nastavte uhol skľučovadla do požadovaného smeru. Potom vyberte režim funkcie " " , na vykonávanie sekania.

! VÝSTRAHA: Voliaci prepínač prevádzkového režimu sa môže používať iba vtedy, keď zariadenie nie je v činnosti.

TIPY NA PRÁCU S NÁSTROJOM

1. Tesne pred tým, ako vrták prejde na druhú stranu, znížte tlak, ktorým naň pôsobíte. Zabránite tým zaseknutiu vŕtačky.
2. Pri vŕtaní veľkej diery najprv vyvŕtajte skúšobnú diery pomocou menšieho vŕtáka.
3. Pri pôsobení tlakom na vrták vždy tlačte priamo, a ak je to možné, pod pravým uhlom na opravovaný kus.
4. Prevádzkový režim nikdy nemeňte počas prebiehajúceho vŕtania.
5. Počas sekania na nástroj nikdy nepôsobte prílišným tlakom. Neúmyselným použitím sily sa rýchlosť práce nezvyšší.

ÚDRŽBA

Pred vykonaním akéhokoľvek nastavovania, opráv a údržby odpojte vŕtačku od siete.

Tento elektrický nástroj neobsahuje žiadne súčasti, ktorých servis by mohol vykonávať sám používateľ. Na čistenie elektrického nástroja nikdy nepoužívajte vodu ani chemické čistiace prostriedky. Očistíte ho pomocou suchej handričky. Elektrický nástroj vždy uchovávajte na suchom mieste. Vetracie drážky motora ničím nezakrývajte. Do ovládacích prvkov nenechajte preniknúť žiadny prach. Vo vetracích drážkach je občas možné spozorovať iskry. Tento jav je bežný a nemôže elektrické zariadenie poškodiť.


Ak je napájací kábel poškodený, musí ho v záujme

zabráneniu rizika vymeniť výrobca, poskytovateľ servisu alebo podobne kvalifikovaná osoba.

RIEŠENIE PROBLÉMOV

1. Ak elektrické zariadenie nie je možné spustiť, najprv skontrolujte prívod napájania.
2. Ak sa kladivo počas používania príliš zohreje, nastavte jeho prepínač do režimu vŕtania a nechajte vŕtačku bežať bez zaťaženia pri maximálnej rýchlosti 2 minúty.
3. Ak kladivo nefunguje dostatočne efektívne, pridajte do zásobníka dostatok maziva.
4. Ak kladivo beží pri príliš nízkej frekvencii, skontrolujte, či nástroj nie je tupý.
5. Ak nedokážete nájsť žiadnu chybu, vráťte nástroj autorizovanému predajcovi, aby zabezpečil opravu.

OCHRANA ŽIVOTNÉHO PROSTREDIA

 Elektrické výrobky sa nesmú likvidovať spolu s domácim odpadom. Recyklujte v zberných miestach na tento účel zriadených. O možnosti recyklácie sa informujte na miestnych úradoch alebo u predajcu.

VYHLÁSENIE O ZHODE

My,
POSITEC Germany GmbH
Postfach 32 02 16, 50796 Cologne, Germany

Vyhlasujeme, že tento výrobok,
Popis **Otočné kladivo**
Typ **DX27 (27-označenie zariadenia, zástupca Otočné kladivo)**
Funkcia **Používanie kladiva na rôzne materiály**

Zodpovedá nasledujúcim smerniciam:

2006/42/EC,
2014/30/EU,
2011/65/EU&(EU)2015/863

Spĺňa posudzované normy:

EN 62841-1, EN IEC 62841-2-6, EN IEC 55014-1, EN IEC 55014-2, EN IEC 61000-3-2, EN 61000-3-3

Osoba oprávnená za zostavenie technického súboru
Názov Marcel Filz
Adresa POSITEC Germany GmbH
Postfach 32 02 16, 50796 Cologne, Germany



2022/11/22

Allen Ding

Zástupca vrchnej konštruktívnej kancelárie,
Testovanie & Certifikácia
Positec Technology (China) Co., Ltd
18, Dongwang Road, Suzhou Industrial
Park, Jiangsu 215123, P. R. China

SK

IZVIRNA NAVODILA VARNOST IZDELKA SPLOŠNA VARNOSTNA NAVODILA ZA ELEKTRIČNA ORODJA



OPOZORILO! Pred uporabo orodja, pazorno preberite vsa varnostna opozorila, navodila, preglejte ilustracije ter preverite tehnične podatke orodja.

Neupoštevanje opozoril in navodil lahko privede do električnega udara in/ali resnih poškodb.

Vsa opozorila in napotila shranite, ker jih boste v prihodnje še potrebovali.

Pojem „električno orodje“, ki se pojavlja v nadaljnjem besedilu, se nanaša na električna orodja z električnim pogonom (z električnim kablom) in na akumulatorska električna orodja (brez električnega kabla).

1. VARNOST NA DELOVNEM MESTU

- a) Delovno področje naj bo vedno čisto in dobro osvetljeno. Nered in neosvetljena delovna področja lahko povzročijo nezgode.
- b) **Ne uporabljajte električnega orodja v okolju, kjer lahko pride do eksplozij oziroma tam, kjer se nahajajo vnetljive tekočine, plini ali prah.** Električna orodja povzročajo iskrenje, zaradi katerega se lahko prah ali para vnameta.
- c) **Prosimo, da med uporabo električnega orodja ne dovolite otrokom ali drugim osebam, da bi se Vam približali.** Odvrčanje Vaše pozornosti drugim lahko povzroči izgubo kontrole nad napravo.

2. ELEKTRIČNA VARNOST

- a) Priključni vtikač električnega orodja se mora prilagati vtičnici. Spreminjanje vtikača na kakršenkoli način ni dovoljeno. Pri ozemljenih električnih orodjih ne uporabljajte vtikačev z adapterji. Nespremenjeni vtikači in ustrezne vtičnice zmanjšujejo tveganje električnega udara.
- b) **Izogibajte se telesnemu stiku z ozemljenimi površinami kot so na primer cevi, grelci, štedilniki in hladilniki.** Tveganje električnega udara je večje, če je Vaše telo ozemljeno.
- c) **Prosimo, da napravo zavarujete pred dežjem ali vlago.** Vdor vode v električno orodje povečuje tveganje električnega udara.
- d) **Ne uporabljajte kabla za nošenje ali obešanje električnega orodja in ne vlecite za kabel, če želite vtikač izvleči iz vtičnice.** Kabel zavarujte pred vročino, oljem, ostrimi robovi ali premikajočimi se deli naprave. Poškodovani ali zapleteni kabli povečujejo tveganje električnega udara.
- e) **Kadar uporabljate električno orodje zunaj, uporabljajte samo kabelske podaljške, ki so primerni za delo na prostem.** Uporaba kabelskega podaljška, ki jê primeren za delo na prostem, zmanjšuje tveganje električnega udara.

- f) **Če je uporaba električnega orodja v vlažnem okolju neizogibna, uporabljajte stikalo za zaščito pred kvarnim tokom.** Uporaba zaščitnega stikala zmanjšuje tveganje električnega udara.

3. OSEBNA VARNOST

- a) **Bodite pozorni, pazite kaj delate ter se dela z električnim orodjem lotite z razumom. Ne uporabljajte električnega orodja, če ste utrujeni oziroma če ste pod vplivom mamil, alkohola ali zdravil.** Trenutek nepazljivosti med uporabo električnega orodja je lahko vzrok za resne telesne poškodbe.
- b) **Uporabljajte osebno zaščitno opremo in vedno nosite zaščitna očala.** Nošenje osebne zaščitne opreme, na primer maske proti prahu, nedrešnih zaščitnih čevljev, varnostne čelade ali zaščitnih glušnikov, kar je odvisno od vrste in načina uporabe električnega orodja, zmanjšuje tveganje telesnih poškodb.
- c) **Izogibajte se nenamernemu zagonu. Pred priključitvijo električnega orodja na električno omrežje in/ali na akumulator in pred dviganjem ali nošenjem se prepričajte, če je električno orodje izklopljeno.** Prenašanje naprave s prstom na stikalu ali priključitev vklopljenega električnega orodja na električno omrežje je lahko vzrok za nezgodo.
- d) **Pred vkapljanjem električnega orodja odstranite nastavitvena orodja ali izvijače.** Orodje ali ključ, ki se nahaja v vrtečem se delu naprave, lahko povzroči telesne poškodbe.
- e) **Izogibajte se nenormalni telesni drži. Poskrbite za trdno stojišče in za stalno ravnotežje.** Tako boste v nepričakovanih situacijah električno orodje lahko bolje nadzorovali.
- f) **Nosite primerna oblačila. Ne nosite ohlapnih oblačil in nakita.** Poskrbite, da se med delovanjem električnega orodja vaši lasje, oblačila in rokavice, ne bodo ujeli med premikajoče se dele. Premikajoči se deli orodja lahko zagrabijo ohlapno oblačilo, dolge lase ali nakit.
- g) **Če ima električno orodje predvideno namestitev enot za odsesavanje prahu ali zbiranje delcev, poskrbite, da bodo te tudi pravilno nameščene in uporabljene.** Če uporabljate enoto za zbiranje delcev, obstaja manjša nevarnost nesreče zaradi prahu.
- h) **Upošteвайте, da boste s pogosto uporabo orodja, z njim postali zelo domači, zaradi česar bi lahko ravnali ravnodušno, ter spregledali varnostna pravila za uporabo orodja.** Nepremišljeno ravnanje lahko že v trenutku nepazljivosti, povzroči resne poškodbe.

4. SKRBNA UPORABA IN RAVNANJE Z ELEKTRIČNIMI ORODJI

- a) **Ne preobremnjajte naprave. Pri delu uporabljajte električna orodja, ki so za to delo namenjena.** Z ustreznim električnim orodjem boste v navedenem zmogljivostnem področju delali bolje in varneje.
- b) **Ne uporabljajte električnega orodja s**

pokvarjenim stikalom. Električno orodje, ki se ne da več vklopiti ali izklopiti, je nevarno in ga je potrebno popraviti.

- c) **Pred nastavljanjem naprave, zamenjavo delov pribora ali odlaganjem naprave izvlecite vtiaka iz električne vtičnice in/ali odstranite akumulator.** Ta previdnostni ukrep preprečuje nenameren zagon električnega orodja.
- d) **Električna orodja, katerih ne uporabljate, shranjujte izven dosega otrok.** Osebam, ki naprave ne poznajo ali niso prebrale teh navodil za uporabo, naprave ne dovolite uporabljati. Električna orodja so nevarna, če jih uporabljajo neizkušene osebe.
- e) **Skrbno negujte električno orodje. Kontrolirajte brezhibno delovanje premičnih delov naprave, ki se ne smejo zatikati. Če so ti deli zlomljeni ali poškodovani do te mere, da ovirajo delovanje električnega orodja, jih je potrebno pred uporabo naprave popraviti.** Slabo vzdrževana električna orodja so vzrok za mnoge nezgode.
- f) **Rezalna orodja vzdržujte tako, da bodo vedno ostra in čista.** Skrbno negovana rezalna orodja z ostrimi robovi se manj zatikajo in so lažje vodljiva.
- g) **Električna orodja, pribor, vsadna orodja in podobno uporabljajte ustrezno tem navodilom. Pri tem upoštevajte delovne pogoje in dejavnost, ki jo boste opravljali.** Uporaba električnih orodij v namene, ki so drugačni od predpisanih, lahko privede do nevarnih situacij.
- h) **Poskrbite, da bodo ročaji in ostale prijemalne površine, vedno suhi, čisti in brez ostankov olj ali masti.** Če pride do nepredvidenih situacij, vam spolzki ročaji in prijemalne površine ne zagotavljajo varnega rokovanja in nadzora nad orodjem.

5. Servisiranje

- a) **Vaše električno orodje naj popravlja le kvalificirano strokovno osebo, ki uporablja originalne nadomestne dele.** Tako bo zagotovljena predpisana varna uporaba orodja.

VARNOSTNA NAVODILA ZA UDARNO KLADIVO

- 1) **Varnostna navodila za vse operacije**
- a) **Nosite zaščito za ušesa.** Izpostavljenost hrupu lahko povzroči okvaro sluha.
- b) **Če je strojčku priložen stranski ročaj, ga namestite.** Izguba nadzora lahko povzroči telesne poškodbe.
- c) **Kadar bi med uporabo električnega strojčka lahko z rezalnim orodjem prišli v stik z električno napeljavo, morate slednjega vedno držati za izolirane ročaje.** Če z rezalnim orodjem pridete v stik z električno napeljavo pod "napetostjo", to povzroči, da postanejo "električni" tudi kovinski deli strojčka, zaradi česar uporabnik lahko doživi električni udar.
- 2) **Varnostna navodila pri uporabi dolgih**

svedrov z vrtnalnimi kladivi

- a) **Vedno začnite vrtniti pri nizki hitrosti in s konico svedra v stiku z obdelovancem.** Pri višjih hitrostih se nastavek lahko upogne, če se prosto vrtni brez stika z obdelovancem, kar lahko povzroči telesne poškodbe.
- b) **Pritisčajte samo v neposredni liniji s svedrom in ne pritiskajte premočno.** Nastavki se lahko upognejo, kar povzroči zlom ali izgubo nadzora, kar povzroči telesne poškodbe.

DODATNA VARNOSTNA PRAVILA ZA KLADIVO

1. Vedno nosite masko za prah.

SIMBOLI



Zaradi zmanjševanja nevarnosti poškodb, se temeljito seznanite z navodili za uporabo



Opozorilo



Uporabljajte zaščito za ušesa



Uporabljajte zaščito za oči



Nosite zaščitno masko za prah



Dvojna izolacija



Odpadnih električnih naprav ne smete zavreči skupaj z ostalimi gospodinjstvi odpadki. Dostavite jih na mesto za ločeno zbiranje odpadkov. Glede podrobnosti, se posvetujte z lokalno službo za ravnanje z odpadki.

SEZNAM KOMPONENT

1. POKROV ZA ZAŠČITO PRED PRAHOM
2. DRŽALO ORODJA Z OBROČEM ZA ZAKLEPANJE
3. MERILNIK GLOBINE
4. STIKALO ZA IZBIRO NAČINA DELOVANJA
5. PROTIVIBRACIJSKI ROČAJ
6. STIKALO ZA VKLOP/IZKLOP
7. NADZOR SPREMENLJIVE HITROSTI
8. POMOŽNI ROČAJ
9. PROTIPRAŠNI POKROV

Ves ilustriran ali opisan dodatni pribor ni vključen v standardni obseg dobave.

TEHNIČNI PODATKI

Oznaka DX27 (27 - oznaka stroja, predstavlja rotacijsko kladivo)

Napetost		220-240V~50/60Hz
Vhodna moč		1500W
Hitrost brez obremenitve		0-920 /min
Število udarcev		0-3700/min
Moč udarca		5.0J
Vrsta vpenjalne glave		SDS-Plus
Največja zmogljivost vrtnja	Jeklo	13mm
	Zidovi	32mm
	Les	40mm
Razred zaščite		□ /II
Teža naprave		5.7kg

INFORMACIJE O HRUPU

Vrednoten zvočni tlak	L_{pA} : 93,3 dB (A)
K_{pA} =	3 dB(A)
Vrednotena jakost hrupa	L_{wA} : 104,3 dB (A)
K_{wA} =	3 dB(A)

UNosite zaščito za ušesa.

PODATKI O VIBRACIJAH

Skupne vrednosti oscilacij (vektorski seštevek treh smeri), skladno z EN 62841:	
Udarno vrtnje v beton	Vrednost emisije vibracij: a_{hp} = 8,35 m/s ²
	Nezanesljivost meritve K = 1,5 m/s ²
Dletenje	Vrednost emisije vibracij: a_{hp} = 7,68 m/s ²
	Nezanesljivost meritve K = 1,5 m/s ²

Deklarirana skupna vrednost vibracij in deklarirana vrednost emisije hrupa sta bili izmerjeni v skladu s standardno preskusno metodo in ju je mogoče uporabiti za primerjavo enega orodja z drugim.

Pri predhodni oceni izpostavljenosti se lahko uporabita tudi deklarirana skupna vrednost vibracij in deklarirana vrednost emisije hrupa.



OPOZORILO: Emisije vibracij in hrupa med dejansko uporabo električnega orodja se lahko razlikujejo od deklarirane vrednosti, odvisno od načina uporabe orodja, zlasti vrste obdelovanca, ki se obdeluje, odvisno od naslednjih primerov in drugih različic uporabe orodja:

Način uporabe orodja in materiali, ki jih lahko obdelujete.
 Ali je orodje v dobrem stanju in ustrezno vzdrževano.
 Ali uporabljate ustrezni dodatek in njegova brezhibnost.
 Čvrstost prijema ročajev in morebitna uporaba dodatkov za zmanjševanje vibracij.
 Uporaba orodja za predviden namen, skladen s temi navodili.

Če orodja ne uporabljate pravilno, lahko povzroči vibracijski sindrom zapestja in rok.



OPOZORILO: Da bi bila točna, mora ocena ravni izpostavljenosti v dejanskih pogojih uporabe upoštevati tudi vse dele delovnega cikla, kot so časi, ko je orodje izklopljeno in ko deluje v prostem teku, vendar dejansko ne opravlja dela. To lahko znatno zmanjša raven izpostavljenosti v celotnem delovnem obdobju. Pomoč pri zmanjševanju tveganja pri izpostavljenosti vibracijam in hrupu.

VEDNO uporabljajte le ostre pripomočke.

Orodje vzdržujte skladno s temi navodili in poskrbite, da bo dobro namazano (kjer je potrebno).

Če boste orodje uporabljali redno, potem investirajte v dodatke za zmanjševanje vibracij in hrupa.

Delo si organizirajte tako, da boste opravila z visoko ravno vibracij izvajali v več fazah, tekom nekaj dni.

DODATKI

Pomožni ročaj	1
Merilnik globine	1
Protiprašni pokrov	1

Priporočamo vam, da dodatke vedno kupujete v isti trgovini, kot ste kupili strojček. Za podrobnosti si oglejte razlage na embalaži kompleta dodatkov. Pri odločanju o ustreznem dodatku, vam lahko pomaga tudi osebeje v trgovini.

NAVODILA ZA UPORABO



OPOMBA: Pred uporabo orodja natančno preberite navodila.

PREDVIDENA UPORABA

Stroj je namenjen udarnemu vrtenju v beton, opeko in kamen kakor tudi za lažja klesalna dela. Primeren je tudi za vrtenje brez udarjanja v les, kovino, keramiko in plastiko.

MONTAŽA

1. NAMEŠČANJE POMOŽNEGA ROČAJA (GLEJTE SL. A)

Za vašo osebno varnost priporočamo, da ves čas uporabljate pomožni ročaj.

Za sprostitev vpenjalnega obroča zavrtite prijem pomožnega ročaja v nasprotni smeri urnega kazalca. Vpenjalni obroč pomožnega ročaja potisnite čez ovrtnik ročaja kladiva in zavrtite ročaj okoli ovrtnika, dokler ročaj ni v zelenem delovnem položaju.

Pomožni ročaj zategnete tako, da zavrtite ročni prijem v smeri urnega kazalca, da zaskoči.



OPOZORILO: Med delovanjem je treba uporabiti pomožni ročaj.

2. NAMEŠČANJE MERILNIKA GLOBINE (GLEJTE SL. B)

Merilnik globine lahko uporabite za nastavitve konstantne globine udarjanja.

Zavrtite zaporni vijak (a) na vrhu pomožnega ročaja v nasprotni smeri urnega kazalca, da ga sprostite, in vstavite merilnik globine v luknjo ročaja. Prilagodite ga na željeno globino. Za pritrditev zavrtite zaporni vijak v smeri urnega kazalca.

3. VSTAVLJANJE IN ODSTRANJEVANJE VRTALNEGA SVEDRA (NI DOBAVLJEN) (GLEJTE SL. C)

Pazite, da se pri menjavi orodja pokrov za zaščito pred prahom ne poškoduje.

- VSTAVLJANJE

Pred vstavljanjem sveder očistite in rahlo naoljite. Držalo orodja z obročem za zaklepanje povlecite nazaj in z zasukom vstavite sveder brez prahu v držalo orodja, dokler se ne zaskoči.

Sveder se sam zaklene. Zaklepanje preverite tako, da povlečete za orodje.

- ODSTRANJEVANJE

Držalo orodja z obročem za zaklepanje povlecite nazaj in izvlecite sveder.



OPOZORILO: Vaše novo vrtalno kladivo ustvarja močne sile za hitro in učinkovito opravljanje vašega dela. Te sile lahko povzročijo, da se svedri SDS slabše kakovosti zlomijo in zataknejo v vpenjalni glavi. Zato priporočamo, da s tem orodjem uporabljate samo visokokakovostne svedre SDS.

DELOVANJE

1. STIKALO ZA VKLOP/IZKLOP (GLEJTE SL. D)

Za zagon orodja pritisnite stikalo za vklop/izklop, za zaustavitev pa ga izpustite.

2. NADZOR SPREMENLJIVE HITROSTI (GLEJTE SL. E)

Z nadzorom spremenljive hitrosti lahko izberete želeno hitrost (tudi med delovanjem).

Zahtevana hitrost je odvisna od materiala in jo je treba določiti s praktičnim preskusom.

3. PROTIVIBRACIJSKI ROČAJ

Protivibracijski ročaj zmanjša vibracije, zaradi česar je delovanje udobnejše in varnejše.

4. PROTIPRAŠNI POKROV (GLEJTE SL. F)

Pred vrtenjem namestite protiprašni pokrov na vrtalnik.



OPOZORILO: Ob uporabi tega orodja vedno nosite zaščito za oči.

5. IZBIRA NAČINA DELOVANJA (GLEJTE SL. G)

Delovanje menjalnika za vsako aplikacijo nastavite s stikalom za izbiro načina delovanja. Če želite preklapljati med funkcijami, pritisnite gumb za odklepanje (b) in zavrtite stikalo za izbiro v zeleni način delovanja.

OPOMBA: Ko zavrtite v zeleni položaj, premaknite izbirno stikalo nekoliko v levo ali desno, da preverite, ali je stikalo zaskočeno.

	Način za sočasno vrtnje in udarjanje betona, zidu
	Način za vrtnje ali vrtnje v jeklo, les in plastiko
	Način za klesanje
	Način za prilagoditev kota vpenjalne glave pri klesanju OPOMBA: Najprej izberite ta način delovanja "D" prilagodite kot vpenjalne glave v zeleno smer. Nato izberite način delovanja nao "T", izvedite klesanje.

! **OPOZORILO:** Izbirno stikalo način za delovanja lahko aktivirate samo, ko je naprava v mirovanju.

NAPOTKI ZA UPORABO VRTALNIKA

1. Preden s svedrom prodrete skozi obdelovanec, popustite pritisk na orodje. To bo preprečilo, da bi se sveder zagozdil.
2. Če morate vrtate luknje večjega premera, najprej izvrtajte manjšo luknjo, nato pa slednjo prevrtajte z večjim svedrom.
3. Na sveder vedno pritiskajte po vzdolžni smeri, če je možno pravokotno na obdelovanec.
4. Med vrtnjem nikoli ne spreminjajte načina delovanja.
5. Med dletenjem na orodje ne pritiskajte premočno. Prekomerni pritisk ne zagotavlja hitrejšega dela.

VZDRŽEVANJE

Pred vsakim prilagajanjem, servisiranjem ali vzdrževanjem izvlomite vtičnik iz vtičnice.

Strojček tudi nima nobenih delov, ki bi jih morali servisirati. Za čiščenje strojčka nikoli ne uporabljajte vode ali kemičnih sredstev. Obrišite ga le s suho krpo. Strojček vedno shranjujte na suhem mestu. Poskrbite, da bodo prezačevalne odprtine čiste. Vsi elementi krmiljenja morajo biti čisti, brez prahu. Med uporabo strojčka boste skozi prezačevalne reže lahko opazili iskre. To je običajno in ne bo poškodovalo strojčka.

96 Če je napajalni kabel poškodovan, ga lahko zamenja le

proizvajalec, njegov serviser ali podobno usposobljene osebe, sicer obstaja nevarnost poškodb.

ODPRAVLJANJE TEŽAV

1. Če se orodje ne zažene, najprej preverite vtičnik napajalnega kabla.
2. Če se udarno kladivo med uporabo preveč segreva, prestavite izbirni gumb v način običajnega vrtnja, in orodje približno 2 minuti pustite delovati neobremenjeno, z polnimi vrtljaji.
3. Če udarno kladivo ne deluje zadosti učinkovito, dodajte ustrezno količino masti.
4. Če opazite, da orodje ne deluje zadosti učinkovito, preverite ostrino svedra.
5. Če okvare ne morete odpraviti, orodje dostavite k pooblaščenemu serviserju.

VAROVANJE OKOLJA



Opadnih električnih naprav ne smete zavreči skupaj z ostalimi gospodinjstskimi odpadki.

■ Dostavite jih na mesto za ločeno zbiranje odpadkov. Glede podrobnosti, se posvetujte z lokalno službo za ravnanje z odpadki.

IZJAVA O SKLADNOSTI

Mi,
POSITEC Germany GmbH
Postfach 32 02 16, 50796 Cologne, Germany

Izjavljamo, da je izdelek,
Opis izdelka **Rotacijski vrtalnik**
Vrsta izdelka **DX27 (27—oznaka naprave,**
predstavnik rotacijskih kladiv)
Funkcija **Udarno vrtnje v različne**
materiale

Skladen z naslednjimi direktivami,
2006/42/EC,
2014/30/EU,
2011/65/EU&(EU)2015/863

In izpolnjuje naslednje standarde:
EN 62841-1, EN IEC 62841-2-6, EN IEC
55014-1, EN IEC 55014-2, EN IEC 61000-3-
2, EN 61000-3-3

Oseba, ki je pooblaščenca za skladnost tehnične dokumentacije,

Ime Marcel Filz

Naslov POSITEC Germany GmbH
Postfach 32 02 16, 50796 Cologne, Germany



2022/11/22
Allen Ding
Namestnik glavnega inženirja,
Testiranje in certifikacija
Positec Technology (China) Co., Ltd
18, Dongwang Road, Suzhou Industrial
Park, Jiangsu 215123, P. R. China



ORJİNAL TALİMATLAR ÜRÜN GÜVENLİĞİ GENEL ELEKTRİKLİ ALET GÜVENLİK UYARILARI



UYARI! Bu elektrikli aletle birlikte verilen tüm güvenlik uyarılarını, talimatları, şekilleri ve özellikleri okuyun. Aşağıda belirtilen talimatlara uyulmaması durumunda, elektrik çarpması, yangın ve/veya ciddi yaralanma gibi riskler görülebilir.

İleride başvurmak üzere tüm uyarıları ve talimatları saklayın.

Uyarılarda bulunan "elektrikli alet" ifadesi ile elektrikli (kablolu) veya bataryalı (akülü) aletiniz kast edilmektedir.

1. ÇALIŞMA ALANI GÜVENLİĞİ

- Çalışma alanınızın temiz ve iyi aydınlatılmış olmasına dikkat edin.** Dağınık veya karanlık alanlar kazalara davetiye çıkarır.
- Elektrikli aletleri yanıcı sıvı, gaz veya toz gibi patlama riski olan maddelerin bulunduğu ortamlarda çalıştırmayın.** Elektrikli aletler, tozu veya dumanı tutuşturabilecek kıvılcımlar oluşturur.
- Elektrikli aleti kullanırken çocukları ve çevredeki kişileri uzak tutun.** Dikkatinizi dağıtabilecek unsurlar aletin kontrolünü kaybetmenize neden olabilir.

2. ELEKTRİKSEL GÜVENLİK

- Elektrikli aletin fişi prize uygun olmalıdır. Fiş üzerinde hiçbir şekilde değişiklik yapmayın. Topraklanmış elektrikli aletlerle herhangi bir adaptör fiş kullanmayın.** Üzerinde herhangi bir değişiklik yapılmamış fiş ve uyumlu priz kullanımı elektrik çarpması riskini azaltacaktır.
- Boru, radyatör, ocak ve buzdolabı gibi topraklanmış yüzeylerle temas etmemeye dikkat edin.** Vücudunuzun topraklanmış yüzeylerle temas etmesi, elektrik çarpması riskini artırır.
- Elektrikli aletleri yağmura veya ıslak koşullara maruz bırakmayın.** Elektrikli alete giren su, elektrik çarpması riskini artıracaktır.
- Elektrik kablosunu zorlamayın. Aleti kablosundan tutarak taşımayın, çekmeyin veya fişini prizden çıkarmayın.** Kabloyu ısı kaynaklarından, yağ gibi sıvılardan, keskin kenarlardan veya hareketli parçalardan uzak tutun. Hasar görmüş veya dolaşmış kablolar elektrik çarpması riskini artırır.
- Elektrikli bir aleti açık havada çalıştırırken, açık havada kullanıma uygun bir uzatma kablosu kullanın.** Açık havada kullanıma uygun bir uzatma kablosu kullanılması elektrik çarpması riskini azaltır.
- Elektrikli aleti nemli bir yerde çalıştırmak zorunda kalırsanız, kaçak akım rölesi (RCD) korumalı bir güç kaynağı kullanın.** Kaçak akım rölesinin kullanılması kullanılması elektrik çarpması riskini azaltır.

3. KİŞİSEL GÜVENLİK

- Bir elektrikli aleti kullanırken dikkatli olun, yaptığınız işe odaklanın ve mantık çerçevesinde hareket edin.** Yorgunluk veya uyuşturucu, alkol veya ilaç gibi maddelerin etkisi altındayken elektrikli alet kullanmayın. Elektrikli aletleri kullanırken bir anlık dikkatsizlik ciddi yaralanmalara neden olabilir.
- Kişisel koruyucu donanım kullan Daima koruyucu gözlük takın.** Belirli koşullarda kullanılan toz maskesi, kaymayan güvenlik ayakkabıları, baret veya kulak koruyucu gibi güvenlik ekipmanları kişisel yaralanmaları azaltacaktır.
- Cihazın yanlışlıkla çalışmasını önleyin. Aleti güç kaynağına ve/veya batarya grubuna bağlamadan, elinize almadan veya taşımadan önce düğmesinin kapalı konumunda olduğundan emin olun.** Parmağınızı düğmenin üzerindeki elektrikli aletlerin taşınması veya düğmenin açık olduğu elektrikli aletlerin çalıştırılması kazalara davetiye çıkarır.
- Elektrikli aleti açmadan önce üzerine takılmış herhangi bir ayar anahtarı veya anahtar varsa çıkarın.** Elektrikli aletin dönen bir parçasına takılmış halde bırakılan bir anahtar yaralanmaya neden olabilir.
- Elektrikli aleti aşırı şekilde uzanarak kullanmayın.** Her zaman yere dengeli basın ve dengenizi koruyun. Bu sayede beklenmedik koşullarda elektrikli aleti daha iyi şekilde kontrol edebilirsiniz.
- Uygun kıyafetler giyinin. Bol giysiler giymeyin ya da herhangi bir takı kullanmayın.** Saçınızı ve giysilerinizi hareketli parçalardan uzakta tutun. Bol ve sarkan kıyafetler, takılar veya uzun saç hareketli parçalar tarafından kapılabilir.
- Toz ayırma ve toplama tesislerinin bağlantılarına yönelik cihazlar varsa, bunların bağlı olduğundan ve doğru şekilde kullanıldığından emin olun.** Tozun toplanması, tozun neden olabileceği tehlikeli durumları azaltabilir.
- Aletlerin sık kullanımından dolayı aletleri iyice tanyor olsanız da dikkatsiz davranmayın ve aletle ilgili güvenlik ilkerlerini göz ardı etmeyin.** Dikkatsiz bir hareket, bir saniyeden daha kısa sürede ciddi yaralanmalara neden olabilir.

4. ELEKTRİKLİ ALETİN KULLANIMI VE BAKIMI

- Elektrikli aleti zorlamayın. Uygulamanız için doğru elektrikli aleti kullanın.** Doğru elektrikli alet, kullanım amacına uygun şekilde kullanıldığı oranda iş daha iyi ve daha güvenli şekilde gerçekleştirilebilecektir.
- Açma kapama düğmesi aracılığıyla açılıp kapatılmayan bir elektrikli aleti kullanmayın.** Düğme ile kontrol edilemeyen herhangi bir elektrikli alet tehlikelidir ve onarılması gerekir.
- Herhangi bir ayar yapmadan, aksesuarları değiştirmeden veya elektrikli aletleri yerine kaldırmadan önce fişi güç kaynağından ayırın ve/veya çıkarılıyorsa batarya grubunu elektrikli aletten çıkarın.** Bu tür önleyici güvenlik önlemleri, elektrikli aletin yanlışlıkla

çalıştırılma riskini azaltır.

- d) **Kullanılmayan elektrikli aletleri çocukların erişemeyeceği yerlerde saklayın ve elektrikli aleti tanımayan veya kullanımı ile ilgili talimatları bilmeyen kişilerin elektrikli aleti kullanımına izin vermeyin.** Elektrikli aletler, bu aletler ile ilgili herhangi bir eğitimi olmayan kullanıcıların elinde tehlikeli olabilir.
- e) **Elektrikli aletlerin ve aksesuarların bakımını yapın. Hareketli parçaların ayar ve bağlantılarının doğru şekilde yapılıp yapılmadığını, kırık parçalarının olup olmadığını ve elektrikli aletlerin çalışmasını etkileyebilecek diğer tüm durumları kontrol edin. Hasar görmüş olması durumunda, kullanmadan önce elektrikli aletin onarımını yaptırın.** Çoğu kaza, bakımı düzgün yapılmamış elektrikli aletlerden kaynaklanır.
- f) **Kesici aletleri keskin ve temiz tutun.** Bakımı uygun şekilde yapılmış keskin kenarlara sahip kesici aletlerinin tutukluk yapma olasılığı daha düşüktür ve kontrolü daha kolaydır.
- g) **Elektrikli aletleri, aksesuarları ve alet uçlarını, vb., çalışma koşullarını ve yapılacak işlemleri göz önünde bulundurarak ilgili talimatlara uygun şekilde kullanın.** Elektrikli aletin tasarım amacından farklı işlemler için kullanılması tehlikeli sonuçlara yol açabilir.
- h) **Tutamakların ve kavrama yüzeylerinin kuru, temiz ve yağ ve gresten arındırılmış olmasına dikkat edin.** Kaygan tutamaklar ve kavrama yüzeyleri, beklenmedik durumlarda aletin güvenli bir şekilde kullanılmasına ve kontrolüne izin vermez.

5. SERVİS

- a) **Elektrikli aletinizin bakım ve onarım işlemlerinin yetkili bir tamirci tarafından yalnızca aynı parçalar kullanılarak gerçekleştirilmesini sağlayın.** Bu sayede elektrikli aletin güvenliği sağlanmış olacaktır.

ÇEKİÇLE İLGİLİ GÜVENLİK UYARILARI

- 1) **Tüm işlemler için güvenlik talimatları**
- a) **Kulak koruması kullanın.** Gürültüye maruz kalmak, işleme kaybına neden olabilir
- b) **Aletle birlikte verildiyse yardımcı tutamaçlı tutamakları kullanın.** Kontrol kaybı yaralanmaya neden olabilir.
- c) **Kesme aksesuarının gizli kablolarına ya da kendi kablosuna temas edebileceği yerlerde çalışma yaparken elektrikli aleti yalıtımlı kavrama yüzeylerinden tutun.** "Akımlı" bir kabloyla temas eden kesme aksesuarı, elektrikli aletin açıkta kalan metal parçalarının "akım geçirmesine" neden olabilir ve kullanıcıyı elektrik çarparabilir.
- 2) **Döner çekiçlerle uzun matkap uçlarını kullanırken güvenlik talimatları**
- a) **Delmeye her zaman düşük hızda ve uç iş parçasına temas edecek şekilde başlayın.** Daha yüksek hızlarda, iş parçasına temas etmeden serbestçe dönmeye izin verilirse uç bükülebilir ve bu da kişisel yaralanmaya neden olabilir.

- b) **Sadece uçla doğrudan aynı hizada basınç uygulayın ve aşırı basınç uygulamayın.** Uçlar bükülebilir, kırılmaya veya kontrol kaybına neden olarak kişisel yaralanmaya neden olabilir.

ÇEKİÇ İÇİN EK GÜVENLİK KURALLARI

1. **Mutlaka bir toz maskesi takın.**

SEMBOLLER



Yaralanma riskini azaltmak için kullanıcı makineyi çalıştırmadan önce kullanımla ilgili talimatları okumalıdır.



Uyarı



Kulak koruması kullanın



Göz koruması takın



Toz maskesi takın



Çift yalıtım



Atık elektrikli ürünler, ev atıkları ile birlikte atılmamalıdır. Lütfen bu konuyla ilgili tesislerin bulunduğu yerlerde geri dönüşümünü sağlayın. Geri dönüşüme ilişkin tavsiyeler için, bulunduğunuz bölgedeki yerel makamlara veya bayiiye danışın.

PARA LİSTESİ

1. TOZDAN KORUMA BAŐLIĐI
2. ALET TUTUCU KİLİTLEME MANŐONU
3. DERİNLİK GÖSTERGESİ
4. İŐLEV MODU SEME KADRANI
5. TİTREŐİM ÖNLEYİCİ TUTAMAK
6. AMA / KAPAMA (ON/OFF) ANAHTARI
7. DEĐİŐKEN HIZ KONTROLÜ
8. YARDIMCI TUTAMAK
9. TOZ KAPAĐI

Gösterilen veya açıklanan tüm aksesuarlar standart teslimata dahil değildir.

TEKNİK VERİLER

Tıp DX27 (27 - makinenin tanımı, kırıcı delici örneĐi)

Gerilim	220-240V~50/60Hz	
Güç giriŐi	1500W	
Yüksüz hız	0-920 /min	
Darbe oranı	0-3700/min	
Darbe enerjisi	5.0J	
Mandren tipi	SDS-Plus	
Maks delme kapasitesi	elik	13mm
	Duvar	32mm
	AhŐap	40mm
Koruma sınıfı	□ /II	
Makine aĐırlıĐı	5.7kg	

TR

GÜRÜLTÜ BİLGİSİ

AĐırlıklı ses basıncı	L_{pA} : 93,3 dB (A)
K_{pA} =	3 dB(A)
AĐırlıklı ses gücü	L_{wA} : 104,3 dB (A)
K_{wA} =	3 dB(A)

Kulak koruması kullanın.

TİTREŐİM BİLGİSİ

EN 62841'e göre belirlenen titreŐim toplam deĐerleri (triaks vektör toplamı):	
Betonu darbeli delme	TitreŐim emisyon deĐeri: $a_{h,p} = 8,35 \text{ m/s}^2$
	Belirsizlik $K = 1,5 \text{ m/s}^2$
Keskileme	TitreŐim emisyon deĐeri: $a_{h,p} = 7,68 \text{ m/s}^2$
	Belirsizlik $K = 1,5 \text{ m/s}^2$

Beyan edilen toplam titreŐim deĐeri ve beyan edilen gürültü emisyon deĐeri, standart bir test yöntemine göre ölçülmüŐtür ve bir aleti diĐeriyle karşılaŐtırmak için kullanılabilir.

Beyan edilen toplam titreŐim deĐeri ve beyan edilen gürültü emisyon deĐeri, maruziyetin ön deĐerlendirmesinde de kullanılabilir.



UYARI: Elektrikli aletin fiili kullanımı sırasındaki titreŐim ve gürültü emisyonları, aŐaĐıdaki örneklere ve aletin nasıl kullanıldıĐına iliŐkin diĐer varyasyonlara baĐlı olarak aletin kullanılma biçimlerine, özellikle ne tür bir

iş parçasının işlendiğine bağlı olarak beyan edilen değerden farklılık gösterebilir;
Aletin kullanıma şekli ile kesilen veya delinen malzemeler.
Aletin iyi durumda olması ve alete iyi bakım yapılması.
Alet için doğru aksesuarın kullanılması, aksesuarın keskin ve iyi durumda olduğundan emin olunması.
Tutamakların kavrama sıklığı ve varsa titreşim ve gürültü önleyici aksesuarların kullanımı.
Aletin amacına ve bu talimatlara uygun olarak kullanılması.

Bu alet, kullanımı ustaca yönetilmezse el-kol titreşim sendromuna neden olabilir.

! **UYARI:** Doğru olması için, fiili kullanım koşullarındaki maruz kalma düzeyi tahmini, aletin kapatıldığı ve boşta çalıştığı ancak aslında işi yapmadığı zamanlar gibi çalışma döngüsünün tüm bölümlerini de hesaba katmalıdır. Bu, toplam çalışma süresi boyunca maruziyet seviyesini önemli ölçüde azaltabilir.
Titreşim ve gürültüye maruz kalma riskinizi en aza indirmeye yardımcı olur.
Daima keskin keskinler, matkaplar ve bıçaklar kullanın.
Bu aletin bakımını bu talimatlara uygun olarak yapın ve aleti güzelce yağlayın (uygun durumlarda).
Alet düzenli olarak kullanılacaksa, titreşim ve gürültü önleyici aksesuarlara yatırım yapın.
Çalışma programınızı, yüksek titreşimli alet kullanımını birkaç güne yayacak şekilde planlayın.

AKSESUARLAR

Yardımcı tutamak	1
Derinlik göstergesi	1
Toz kapağı	1

Aksesuarlarınızı aleti satın aldığınız mağazadan almanızı tavsiye ederiz Daha fazla bilgi için aksesuar ambalajına bakın. Mağaza personeli size yardımcı olabilir ve tavsiye verebilir.

KULLANIM TALİMATLARI

! **NOT:** Aleti kullanmadan önce, kullanım kılavuzunu dikkatli bir şekilde okuyun.

KULLANIM AMACI

Makine; tuğla, beton ve taş üzerinde darbeli delme işlemlerinin yanı sıra hafif kesikleme işlemleri yapmak üzere tasarlanmıştır. Ahşap, metal, seramik ve plastik üzerinde darbesiz delme işlemleri için de uygundur.

MONTAJ

1. YARDIMCI TUTAMAĞI TAKMA (BKZ. ŞEK. A)

Kişisel güvenliğinizi için her zaman yardımcı tutamağı kullanmanızı tavsiye ederiz. Sıkıştırma halkasını gevşetmek için yardımcı tutamağı saat yönünün tersine çevirin. Yardımcı tutamağın sıkıştırma halkasını çekici tutamak bileziğinin üzerine geçirin ve tutamak istediğiniz çalışma konumuna gelene kadar tutamağı bileziğin etrafında döndürün. Yardımcı tutamağı takmak için tutamağı saat yönünde çevirin.

! **UYARI:** Yardımcı tutamak, çalışma sırasında kullanılmalıdır.

2. DERİNLİK GÖSTERGESİNİN TAKILMASI (BKZ. ŞEK. B)

Derinlik göstergesi, darbe uygulanacak sabit bir derinlik ayarlamak için kullanılabilir.
Yardımcı tutamağın üstündeki kilitleme vidasını (a) saat yönünün tersine çevirerek gevşetin, derinlik göstergesini tutamağın deliğine yerleştirin. İstenen derinliğe ayarlayın. Kilitleme vidasını saat yönünde döndürerek sıkın.

3. MATKAP UCUNUN (MAKİNE İLE BİRLİKTE VERİLMEMEKTEDİR) TAKILMASI VE ÇIKARILMASI (BKZ. ŞEK. C)

Aletleri değiştirirken tozdan koruma başlığının hasar görmemesine dikkat edin.

- TAKMA

Ucu takmadan önce temizleyin ve hafifçe yağlayın. Uç tutucu kilitleme manşonunu geri çekin ve tozsuz ucu, kilitlemeye kadar çevirerek uç tutucuya yerleştirin. Uç kendiliğinden kilitletir. Aleti çekerek kilitletirip kilitlemediğini kontrol edin.

- SÖKME

Uç tutucu kilitleme manşonunu geri çekin ve ucu dışarı çekin.

! **UYARI:** Yeni kırıcı delici matkabınız, işinizi hızlı ve etkili bir şekilde yapmanız için yoğun kuvvet üretecek hale gelmiştir. Bu kuvvet, kalitesiz SDS uçlarının kırılmasına ve mandrende sıkışmasına neden olabilir. Bu nedenle, bu aletle yalnızca yüksek kalitede SDS uçlarının kullanılmasını tavsiye ederiz.

ÇALIŞMA

1. AÇMA/KAPAMA DÜĞMESİ (BKZ. ŞEK. D)

Açma/Kapama düğmesine basarak aletinizi çalıştırın ve düğmeyi serbest bırakarak matkabı durdurun.

2. DEĞİŞKEN HIZ KONTROLÜ (BKZ. ŞEK. E)

Değişken hız kontrolü ile istediğiniz hızı seçebilirsiniz (çalışırken de). Gerekli hız, malzemeye bağlıdır ve deneyerek belirlenmelidir.

3. TİTREŞİM ÖNLEYİCİ TUTAMAK

Titreşim önleyici tutamak, titreşimi azaltarak daha rahat ve güvenli bir şekilde çalışılmasını sağlar.

4. TUZU KAPAĞI (BKZ. ŞEK. F)

Delme işlemi öncesi, toz kapağını matkap ucunun üzerine yerleştirin.

! **UYARI:** Bu aleti kullanırken mutlaka koruyucu gözlük kullanın.


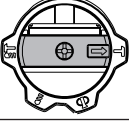
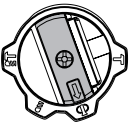
5. İŞLEV MODU SEÇİMİ (BKZ. ŞEK. G)

Her uygulamada şanzımanın çalışması, işlev modu seçme kadranı ile ayarlanır. İşlevler arasında geçiş yapmak için kilit açma düğmesine (b) basın ve seçme kadranını istediğiniz çalışma moduna getirin.

NOT: İsteddiğiniz konuma döndürüldükten sonra, kadranın yerinde sabit olup olmadığını kontrol etmek için seçme kadranını bir miktar sola veya sağa hareket ettirin.



Aynı anda beton delme ve darbe modu, Duvar

	Çelik, ahşap ve plastik delme modu
	Keskileme modu
	Keskileme işleminde mandren açısını ayarlama modu NOT: Öncelikle "DB" bu işlev modunu seçin, mandren açısını istediğiniz yöne ayarlayın. Ardından işlev modunu "T" olarak ayarlayın, keskilme işlemine başlayın.

UYARI: Çalışma modu seçme düğmesi yalnızca dururken çalıştırılabilir.

ALETİNİZİN ÇALIŞMASIYLA İLGİLİ İPUÇLARI

1. Delik açılmak üzereyken matkap ucu üzerindeki baskıyı azaltın. Böylece matkabın sıkışmasını önlersiniz.
2. Büyük bir delik açmak istediğinizde önce küçük bir matkap ucu kullanarak kılavuz delik açın.
3. Matkap ucunuza her zaman düz bir hatta ve mümkünse üzerinde çalıştığınız parçaya dik açılarda baskı uygulayın.
4. Kırıcı delici çalışırken kesinlikle çalışma modunu değiştirmeyin.
5. Keskileme sırasında alete aşırı baskı uygulamayın. Aşırı güç, yaptığınız işi hızlandırmaz.

BAKIM

Herhangi bir ayar, servis veya bakım işlemi yapmadan önce fişi prizden çekin.

Elektrikli aletinizde kullanıcı tarafından bakımı yapılabilecek hiçbir parça yoktur. Elektrikli aletinizi temizlemek için kesinlikle su veya kimyasal temizleyiciler kullanmayın. Kuru bir bezle iyice silin. Elektrikli aletinizi her zaman kuru bir yerde saklayın. Motor havalandırma deliklerini temiz tutun. Tüm çalışma kontrollerini tozdan uzak tutun. Bazen havalandırma deliklerinden kıvılcımlar görabilirsiniz. Bu normal bir durumdur ve elektrikli aletinize zarar vermez.

Elektrik kablosu hasar görmüşse, tehlikeyi önlemek için kablunun imalatçı, servis acentesi veya benzeri nitelikte kişiler tarafından değiştirilmesi gerekir.

ARIZA GİDERME

1. Elektrikli aletiniz çalışmıyorsa, önce güç kaynağındaki fişi kontrol edin.
2. Kırıcının kullanım sırasında çok ısınrsa, kırıcı düğmesini delme moduna ayarlayın ve matkabınızı 2 dakika boyunca yüksüz bir şekilde maksimum hızda çalıştırın.

3. Kırıcının çalışma verimliliği çok düşüğe, lütfen gres kutusuna yeterli miktarda gres ekleyin.
4. Kırıcınızdan yeterli verim alamıyorsanız lütfen aletin kör olup olmadığını kontrol edin.
5. Arıza giderilemiyorsa aleti onarım için yetkili servise götürün.

ÇEVRENİN KORUNMASI



Atık elektrikli ürünler, ev atıkları ile birlikte atılmamalıdır. Lütfen bu konuyla ilgili tesislerin bulunduğu yerlerde geri dönüşümünü sağlayın. Geri dönüşüme ilişkin tavsiyeler için, bulunduğunuz bölgedeki yerel makamlara veya bayiye danışın.

EC UYGUNLUK BEYANNAMESİ

Biz,
POSITEC Germany GmbH
Postfach 32 02 16, 50796 Cologne, Germany

Olduğunu beyan ederiz,
Ürünün tarifi: **Kırıcı Delici**
Tipi: **DX27 (27 - makinenin tanımı, Kırıcı örneği)**
Fonksiyonu **Çeşitli malzemelere darbe uygulama işlevi**

Direktiflerine uygun olduğunu beyan ederiz,
2006/42/EC,
2014/30/EU,
2011/65/EU&(EU)2015/863

Standartlar
EN 62841-1, EN IEC 62841-2-6, EN IEC 55014-1, EN IEC 55014-2, EN IEC 61000-3-2, EN 61000-3-3

Teknik dosyayı derleyen yetkili kişinin,
Adı: Marcel Filz
Adresi: POSITEC Germany GmbH
Postfach 32 02 16, 50796 Cologne, Germany



2022/11/22

Allen Ding

Baş Mühendis Yardımcısı, Test ve Sertifikasyon Positec Technology (China) Co., Ltd 18, Dongwang Road, Suzhou Industrial Park, Jiangsu 215123, P. R. China

أكثر راحة وأمانًا.

4. غطاء مقاوم للاتربة (انظر الشكل F).

قبل التثبيت، قم بتثبيت غطاء الغبار فوق لقمة الثقب.

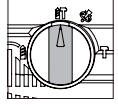


تحذير : قم دائما بارتداء واقي للعين باستخدام هذه الأداة.

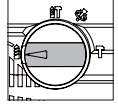
5. اختيار وضع الوظيفة (انظر الشكل G)

يتم ضبط تشغيل صندوق التروس لكل استخدام من خلال قرص اختيار وضع الوظيفة. للتبديل بين الوظائف ، اضغط على زر فتح القفل (ب) وقم بتدوير قرص الاختيار إلى وضع التشغيل المطلوب.

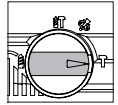
ملاحظة : بعد التدوير إلى الوضع المطلوب ، حرك قرص الاختيار إلى اليسار أو اليمين قليلاً للتحقق مما إذا كان القرص مغلقاً في مكانه.



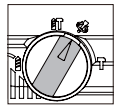
وضع الحفر الآتي للخرسانة والبناء


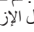


وضع الحفر في الصلب والخشب والبلاستيك



وضع الحفر بالإزميل



وضع ضبط زاوية الإزميل
ملاحظة : حدد وضع الوظيفة هذا "  " أولاً ، اضبط الزاوية على الاتجاه المطلوب. ثم حدد وضع الوظيفة إلى "  " ، قم بتشغيل عمل الإزميل.

حافظ على نظافة فتحات تهوية المحرك. احتفظ بجميع الأدوات خالية من الغبار. في بعض الأحيان قد ترى شرارات من خلال فتحات التهوية. هذا أمر طبيعي ولن يؤدي إلى إتلاف أداة الطاقة الخاصة بك. في حالة تلف سلك الإمداد ، يجب استبداله من قبل الشركة المصنعة أو وكيل الخدمة التابع لها أو الأشخاص المؤهلين بشكل مشابه من أجل تجنب الخطر.

استكشاف الأخطاء وإصلاحها

1. إذا لم يتم بدء تشغيل أداة الطاقة الخاصة بك ، فتتحقق من قابس مصدر الطاقة أولاً.
2. إذا أصبحت المدقة شديدة السخونة أثناء الاستخدام ، فاضبط مفتاح المدقة على وضع الحفر واسمح للمقابيل بالعمل بأقصى سرعة دون تحميل لمدة دقيقتين.
3. إذا كانت كفاءة عمل المدقة منخفضة جداً ، فيرجى إضافة شحم كإب في صندوق التشحيم.
4. إذا كنت تستخدم المدقة بكفاءة منخفضة ، فيرجى التحقق مما إذا كانت الأداة غير حادة.
5. إذا تعذر تصحيح الخطأ ، فأعد الأداة إلى الوكيل المعتمد لإصلاحها.

الحماية البيئية

موجب عدم التخلص من نفايات المنتجات الكهربائية مع النفايات المنزلية. يُرجى إعادة التدوير في الأماكن المخصصة لإعادة التدوير. ارجع إلى السلطات المحلية أو بائع التجزئة للحصول على نصائح بخصوص إعادة التدوير.



بيان المطابقة

نقر نحن،

شركة Positec Germany GmbH

ويقع مقرنا في Postfach 32 02 16, 50796 Cologne, ألمانيا

أن المنتج

الوصف: المطرقة الدوارة

النوع: طراز 27 (DX27 - تحديد الأدوات ، ممثل المدقة الدوارة)

الوظيفة: دق مواد مختلفة

يتوافق مع التوجيهات التالية

2006/42/EC, 2011/65/EU&(EU)2015/863, 2014/30/EU

المعايير تتوافق مع

EN 62841-1, EN IEC 62841-2-6, EN IEC 55014-1,
EN IEC 55014-2, EN IEC 61000-3-2, EN 61000-3-3

الشخص المخول بتجميع الملف الفني،

الاسم: مارسيل فيلز

العنوان: Postfach 32 02 16, 50796 Cologne, ألمانيا



2022/11/22

ألين دينج

نائب كبير المهندسين، الاختبار والاعتماد

Positec Technology (China) Co., Ltd
Dongwang Road, Suzhou Industrial, 18
The Park, Jiangsu 215123, P. R


الصيانة

قم بإزالة القابس من المقبس قبل إجراء أي ضبط أو صيانة.

لا توجد أجزاء يمكن للمستخدم صيانتها في الأداة الخاصة بك. لا تستخدم أبداً الماء أو المنظفات الكيميائية لتنظيف الأداة الخاصة بك. قم بالمشح والتنظيف بقطعة قماش جافة. قم دائماً بتخزين أداة الطاقة الخاصة بك في مكان جاف.

قيمة انبعاثات الاهتزازات: $a_{h,HD}=8,35 \text{ m/s}^2$	ثقب بالطرق في الخرسانة
عامل اللايقين $K=1.5\text{m/s}^2$	
قيمة انبعاثات الاهتزازات: $a_{h,CH}=7,68 \text{ m/s}^2$	نحت
عامل اللايقين $K=1.5\text{m/s}^2$	

تم قياس القيمة الإجمالية المعلنه للاهتزاز وقيمة انبعاث الضوضاء المعلنه وفقاً لطريقة اختبار قياسية ويمكن استخدامها لمقارنة أداة بأخرى يمكن أيضاً استخدام القيمة الإجمالية المعلنه للاهتزاز وقيمة انبعاث الضوضاء المعلنه في إجراء تقييم أولي للتعرض.

تحذير: يمكن أن تختلف انبعاثات الاهتزاز والضوضاء أثناء الاستخدام الفعلي لأداة الطاقة عن القيمة المعلنه اعتماداً على طرق استخدام الأداة، ولا سيما ما يتعلق بنوع العنصر الذي يجري معالجته وفقاً للنماذج التالية والمتغيرات الأخرى المتعلقة بكيفية استخدام الأداة: 

طريقة استخدام الأداة والمواد التي يتم قطعها أو ثقبها.
كون الأداة في حالة جيدة ويتم صيانتها جيداً.

استخدام الملحق المناسب للأداة والتأكد من أنه حاداً وفي حالة جيدة.
إحكام الإمساك بالمقايض وإذا ما تم استخدام أي ملحقات مضادة للاهتزاز والضوضاء.
استخدام الأداة في الغرض المقصود وفقاً لتصميمها وهذه التعليمات.

يمكن أن يتسبب استخدام هذه الأداة في الإصابة بمتلازمة اهتزاز اليد والذراع إذا لم يتم إدارة استخدامها بشكل مناسب.

تحذير: كي يتسنى الحفاظ على الدقة ينبغي أن يراعى تقدير مستوى التعرض في ظروف الاستخدام الفعلية لجميع أجزاء دورة التشغيل مثل الأوقات التي يتم فيها إيقاف تشغيل الأداة وعندما يتم تشغيلها عند سرعة التباطؤ مع عدم قيامها بأي مهمة بالفعال، إذ يمكن أن يؤدي هذا إلى تقليل مستوى التعرض بشكل كبير خلال فترة العمل بالكامل.

مما يساعد في تقليل مخاطر التعرض للاهتزاز والضوضاء.
استخدم دوماً از اميل ومثاقب وشفرات حادة.

ينبغي صيانة هذه الأداة وفقاً لهذه التعليمات، مع ضرورة تزيينتها جيداً (حيثما يكون ملائماً).
وفي حالة استخدام الأداة بانتظام، فينبغي حينئذ شراء ملحقات مقاومة للاهتزاز والضوضاء.

ينبغي عليك تنظيم جدول عملك بحيث يتم توزيع استخدام أي أداة عالية الاهتزاز على مدار عدد من الأيام.

الملحقات

1	المقبض المساعد
1	مقياس العمق
1	غطاء مقاوم للأتربة

نوصي بشراء الملحقات من المتاجر التي تباع الأدوات، لمزيد من التفاصيل، يرجى الرجوع إلى حزمة الملحقات. يمكن لموظفي المتجر المساعدة وتقديم المشورة.

المطلوب قم بتدوير لولب التثبيت في اتجاه عقارب الساعة للربط.

تعليمات التشغيل

3. تركيب وإزالة لقمة مثبت الحفر (غير مرفق) (انظر الشكل C)
تأكد من عدم تلف غطاء الحماية من الغبار عند تغيير الأدوات.

- الإدخال

قم بتنظيف القطعة أو الريشة وتزيينتها برفق قبل إدخالها. اسحب غطاء قفل حامل الأداة للخلف وأدخل المقاب الخالي من الغبار في حامل الأداة بحركة ملتوية حتى يتم قفله. ستقوم القطعة أو الريشة بإقفل نفسها تحقق من القفل عن طريق سحب الأداة.

- الإزالة

قم بسحب غطاء قفل حامل الأداة للخلف واسحب الريشة.

تحذير: تولد المدمقة النوارة الجديدة قوى شديدة لإنجاز عملك بسرعة وفعالية. قد تتسبب هذه القوى في كسر أجزاء SDS ذات الجودة المنخفضة وانحسارها في القابض لذلك نوصي باستخدام قطع SDS عالية الجودة فقط مع هذه الأداة.



1. مفتاح التشغيل (انظر الشكل D)

اضغط على مفتاح التشغيل / إيقاف لبده التشغيل و اتركه لإيقاف أداتك.

2. التحكم في السرعة المتغيرة (انظر الشكل E)

مع التحكم في السرعة المتغيرة، يمكن تحديد السرعة المطلوبة (أيضاً أثناء التشغيل).

السرعة المطلوبة تعتمد على المادة ويتم تحديدها من خلال تجربة عملية.

3. مقبض مضاد للاهتزاز

يقوم المقبض المضاد للاهتزاز بالتقليل من الاهتزاز، مما يجعل عملية التشغيل

ملاحظة: اقرأ كتيب التعليمات بعناية قبل استخدام الأداة.

الغرض من الاستخدام

الألة مخصصة للحفر في الخرسانة والطوب والحجر وكذلك لأعمال الحفر بالإرميل الخفيف. أيضاً مناسبة للتقرب بون تأثير في الخشب والمعن والسيراميك والبلاستيك.

التركيب

1. تثبيت المقبض الإضافي (انظر الشكل A)

من أجل سلامتك الشخصية، نوصي باستخدام المقبض الإضافي في جميع الأوقات.

قم بتدوير مقبض اليد للمقبض الإضافي عكس اتجاه عقارب الساعة لفك حلقة التثبيت. حرك حلقة التثبيت للمقبض الإضافي فوق طوق مقبض المطرقة، وقم بتدوير المقبض حول الياقة حتى يصبح المقبض في وضع العمل المطلوب.
قم بتدوير المقبض في اتجاه عقارب الساعة لربط المقبض الإضافي في مكانه.



تحذير: يجب استخدام المقبض الإضافي أثناء التشغيل.

2. تثبيت مقياس العمق (انظر الشكل B)

يمكن استخدام مقياس العمق لضبط عمق ثابت للحفر.

قم بتدوير لولب التثبيت (a) الموجود أعلى المقبض الإضافي عكس اتجاه عقارب الساعة للفك، أدخل مقياس العمق في فتحة المقبض. قم بضغطه على العمق



يُحظر التخلص من مخلفات المنتجات الكهربائية مع المخلفات المنزلية. ويُرجى إعادة تدويرها لدى المنشآت المختصة. تحقق من السلطات المحلية أو بائع التجزئة للتعرف على كيفية إعادة التدوير.



قائمة المكونات

1.	غطاء للحماية من الغبار
2.	جلبية مُحكمة لممسك العدة
3.	مقياس العمق
4.	قرص تحديد الوظيفة
5.	مقبض مضاد للاهتزاز
6.	مفتاح التشغيل
7.	التحكم في السرعة المتغيرة
8.	مقبض إضافي
9.	غطاء مقاوم للأتربة

ليست جميع الملحقات الموضحة أو الموصوفة مدرجة في التسليم القياسي.

معلومات تقنية

طراز (27) DX27 - تحديد الآلات ، ممثل المدقة الدوارة)

220-240V~50/60Hz	الجهد الكهربى	
1500W	مدخل الطاقة	
0-920 /min	السرعة بدون حمل	
0-3700/min	معدل الإرتطام	
5.0J	طاقة الإرتطام	
SDS-Plus	نوع القابض	
13mm	الصاب	قدرة الحفر التصوى
32mm	البناء	
40mm	الخشب	
□/II	درجة الحماية	
5.7kg	وزن الآلة	

معلومات الضوضاء

L_{pA} : 93.3 dB(A)	ضغط الصوت المرجح
L_{WA} : 104.3 dB(A)	قوة الصوت المرجحة
3.0dB (A)	K_{pA} & K_{WA}
ارتداء واقي حماية الأذن.	

معلومات الاهتزاز

تم تحديد القيم الإجمالية للاهتزاز (الجمع المتجهي ثلاثي المحاور) وفقاً للمعيار EN 62841:

سلامة المنتج

تحذيرات السلامة العامة الخاصة بالأداة

الكهربائية



تخبر اقرأ جميع تحذيرات السلامة والتعليمات والرسوم التوضيحية والمواصفات المتوفرة مع هذه الأداة. قد يؤدي عدم اتباع جميع التعليمات المتكررة إنذارة إلى حدوث صدمة كهربائية/ أو حريق و/ أو إصابة خطيرة.

احتفظ بجميع التحذيرات والتعليمات للرجوع إليها لاحقاً.

يشير مصطلح "الأداة الكهربائية" الوارد في التحذيرات إلى الأداة الكهربائية (السلوكية) التي تعمل بالتيار الكهربائي أو الأداة (اللاسلكية) التي تعمل بالبطارية.

1- سلامة مكان العمل

(أ) حافظ على نظافة مكان العمل وإضامته جيداً. ذلك أن الأماكن غير النظيفة أو المظلمة تجعل وقوع الحوادث.

(ب) لا تشغل الأدوات الكهربائية في بيئات تبعث على الانفجار، مثل: البيئات التي توجد فيها سوائل أو غازات قابلة للاشتعال أو غير. تحدث الأدوات الكهربائية الشرر الذي قد يشعل الغاز أو الأخرى.

(ج) قد يهبط الأطفال والمرأة مسافة أمان بعيداً عن الأداة الكهربائية أثناء تشغيلها. فقد تتسبب عوامل التشبث في فقدان السيطرة على الأداة الكهربائية.

2- السلامة الكهربائية

(أ) يجب أن تتوافق قوايس الأداة الكهربائية مع المقبس، لا تقم بجرار أي تعديلات على المقابس بأي حال من الأحوال، وتجنب استخدام أي قوايس مهيأة مع الأدوات الكهربائية (الموضحة)، حيث تستعمل القوايس غير المثقلة والمقابس المتطابقة على تقليل مخاطر حدوث الصعق الكهربائي.

(ب) تجنب أي اتصال جسدي بالأسطح الموصولة بالأرض أو الموضحة، مثل: الأنابيب والمضمار والمودف والثلاجات، حيث تزداد خطورة الصعق الكهربائي في حال تأريض جسديك.

(ج) لا تعرض الأدوات الكهربائية للأمتار أو الرطوبة، حيث سيؤدي الماء الذي يدخل إلى الأداة الكهربائية إلى زيادة مخاطر حدوث الصعق الكهربائي.

(د) تجنب إساءة استخدام السلك، وتجنب استخدامه في حمل الأداة الكهربائية، أو شدّها، أو فصلها. احتفظ بالسلك بعيداً عن الحرارة، والزيت، والحواف الحادة، والأجزاء المتحركة، نظراً لأن الأسلاك التالفة أو المتشبكة تتسبب في زيادة خطورة الصعق الكهربائي.

(هـ) عند تشغيل الأداة الكهربائية في الخارج، استخدم سلك إطالة مناسب للاستخدام الخارجي، فاستعمل سلك مناسب للاستخدام الخارجي يقلل مخاطر حدوث الصعق الكهربائي.

(و) إذا كان لا بد من تشغيل الأداة الكهربائية في مكان رطب، فعليك استخدام مصدر إمداد محمي بجهز يعمل بالتيار المتفقي. استخدام جهاز الحماية من التيار المتفقي يحد من مخاطر حدوث الصعق الكهربائي.

3- السلامة الشخصية

(أ) كن حذراً ولاحظ ما تقوم به واستخدم الحس السليم عند تشغيل الأداة الكهربائية، لا تستخدم الأداة إذا كنت تشعر بالتعب أو كنت تحت تأثير المخدرات، أو الكحول، أو المقاقير. قد تتعرض لإصابة شخصية بالغة إذا غفلت سولو للحظة. أثناء تشغيل الأدوات الكهربائية.

(ب) استخدم معدات الحماية الشخصية. احرص دائماً على ارتداء واقي العينين. إن استخدام معدات الحماية مثل: الفناع الواقي من الغبار، وأخذية السلامة المقامة للارتداء، والقبعات الصلبة، وواقي الأذنين- في الظروف الملائمة يقلل من حدوث إصابات شخصية.

(ج) امنع التشغيل غير المقصود. وتأكد أن المفتاح في وضع إيقاف التشغيل قبل التوصيل بمصدر الطاقة و/ أو مجموعة البطاريات، وكذلك قبل رفع الأداة أو حملها. تحدث الإشارة إلى أن الحوادث تنشأ عند حمل الأدوات الكهربائية ووجود الأصبع على المفتاح، أو تشغيل الأدوات الكهربائية التي يوجد بها مفتاح في وضع التشغيل.

(د) أزل أي مفتاح ضبط أو مفتاح ربط قبل تشغيل الأداة الكهربائية. قد يتسبب مفتاح الربط أو مفتاح الضبط المتصل بأحد الأجزاء المتحركة للأداة الكهربائية في حدوث إصابة شخصية.

(هـ) لا يمدك يداك إلى الأجزاء البعيدة عن متناولك. وقف ثابتاً، وحافظ على توازنك؛ وما يساعدك في التحكم بشكل أفضل في الأداة الكهربائية في المواقف غير المتوقعة.

(و) ارتد ملابس مناسبة، وتجنب ارتداء ملابس فضفاضة أو مجوهرات. أبعد شعرك وملابسك عن الأجزاء المتحركة. من الممكن أن تتحضر الملابس الفضفاضة، أو المجوهرات، أو الشعر الطويل في الأجزاء المتحركة.

(ز) في حال توفير أجهزة لتوصيل أدوات شطف الغبار وتجميعه، تأكد من توصيل هذه الأدوات واستخدامها بشكل سليم. قد يساعد استخدام أداة تجميع الغبار في تقليل المخاطر المرتبطة بالغبار.

(ح) لا تدع الألفة المكتسبة من الاستخدام المتكرر للأدوات تسمح لك بأن تصبح راضياً وتجاهل مبادئ أمن الأداة. يمكن أن يتسبب العمل غير المبالي في إصابة خطيرة في غضون جزء من الثانية.

4- استخدام الأداة الكهربائية والعناية بها

(أ) لا تضغط على الأداة الكهربائية، واستخدم الأداة التي تناسب عملك. يساعد اختيار الأداة الكهربائية المناسبة في تنفيذ العمل بشكل أفضل وأكثر أمناً بنفس المعدل الذي صُممت من أجله.

(ب) لا تستخدم الأداة الكهربائية إذا لم يعمل المفتاح على تشغيلها وإيقاف تشغيلها. ينتج عن الأداة الكهربائية التي لا يمكن التحكم فيها مخاطر عظيمة؛ لذا يتعين إصلاحها.

(ج) أفضل القابس من مصدر الطاقة و/ أو مجموعة البطارية من الأداة الكهربائية قبل إجراء أي تعديلات، أو تغيير الملحقات، أو تخزين الأدوات الكهربائية. تعمل تدابير السلامة الوقائية هذه على تقليل المخاطر الناتجة عن بدء تشغيل الأداة الكهربائية دون قصد.

(د) خزن الأدوات الكهربائية المعطلة بعيداً عن متناول الأطفال ولا تسمح للأطفال الذين لم يكن لديهم دراية وخبرة في التعامل مع الأداة الكهربائية أو هذه التعليمات بتشغيل الأداة الكهربائية. تنسّم الأدوات الكهربائية بالخطورة عند تشغيلها من قبل مستخدمين غير مرئبين.

(هـ) حافظ على الأدوات الكهربائية. وتحقق من عدم اعوجاج أو انحناء الأجزاء المتحركة وكسر الأجزاء وأي وضع آخر قد يؤثر سلباً على تشغيل الأداة الكهربائية. قد يواصل الأداة الكهربائية قبل استخدامها إذا كانت تالفة. قالمعيد من الحوادث وتتسبب هذه سوء صيانة الأدوات الكهربائية.

(و) حافظ على حدة أدوات القطع ونظافتها. تجدر الإشارة إلى أن أدوات القطع التي تم صيانتها بعناية شديدة والتي تمتلك حواف حادة للقطع نادراً ما تتوقف عن العمل، ويسهل التحكم فيها.

(ز) استخدم الأداة الكهربائية والملحقات ولقم الأداة بما يتوافق مع هذه التعليمات، مع الأخذ بعين الاعتبار ظروف العمل والعمل المقرر تنفيذه. قد يؤدي استخدام الأداة الكهربائية في عمليات مختلفة عن العمليات المخصصة لها إلى التعرض لمواقف خطيرة.

(ح) حافظ على المقابض وأسطح الإمساك جافة ونظيفة وخالية من الزيوت والشحوم. لا لمسح المقابض الزلقة وأسطح الإمساك بالتعامل الآمن مع الأداة والتحكم فيها في المواقف غير المتوقعة.

5- الصيانة

(أ) عليك بإصلاح الأداة الكهربائية من قبل فني إصلاح مؤهل باستخدام قطع الغيار المماثلة فقط، مما يضمن الحفاظ على سلامة الأداة الكهربائية.

تحذيرات الأمان

1. ارتد واقيات الأذن التعرض للضوضاء قد يسبب فقدان السمع
2. استخدم مقبض أو مقابض مساعدة - إذا أن متوفر مع الأداة - يمكن أن يؤدي فقدان السيطرة إلى إصابات شخصية
3. عند إجراء عملية - امسك أداة التشغيل بأداة إمساك معزولة حيث أن أداة القطع قد تكون ممتلئة بالسلك الخاص بها أو بأسلاك مخفية قد يؤدي اتصال ملحق القطع بسلك "مكهرب" إلى جعل الأجزاء المعدنية المكتشفة من أداة التشغيل "مكهربة" ويمكن أن يتسبب في صدمة كهربائية للمشغل.
4. احرص دائماً على ارتداد قناع الأتربة.

الرموز



تقليل مخاطر الإصابة، يجب على المستخدم قراءة دليل التعليمات



مذكرة قانونية



ارتداء غطاء للأذنين



ارتد نظارات واقية



ارتدي قناع الغبار

CAT[®]



www.catpowertools.com



©2023 Caterpillar. CAT, CATERPILLAR, their respective logos, "Caterpillar Yellow," the "Power Edge" trade dress as well as corporate and product identity used herein, are trademarks of Caterpillar and may not be used without permission. Positec Group Limited, a licensee of Caterpillar Inc