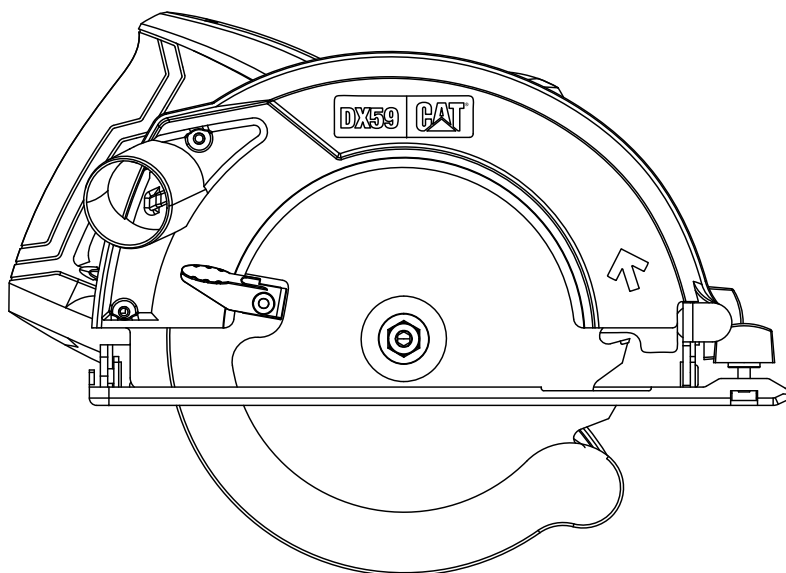


CAT[®]

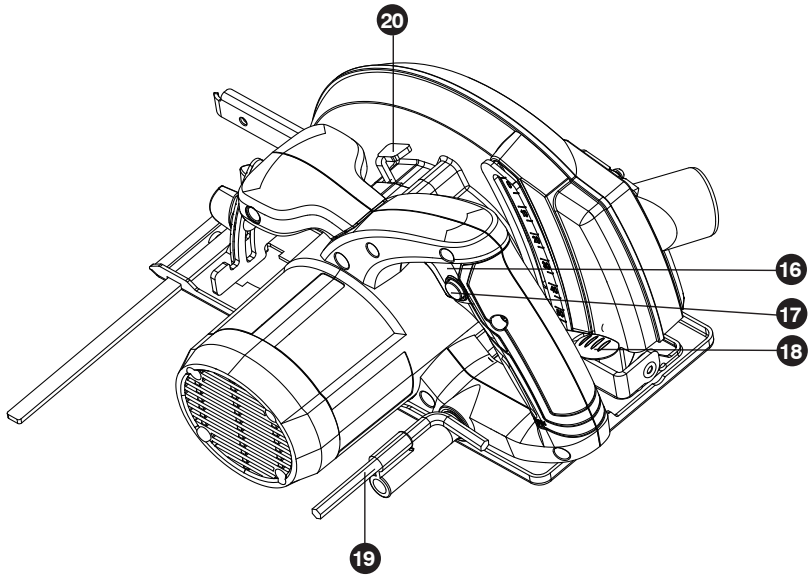
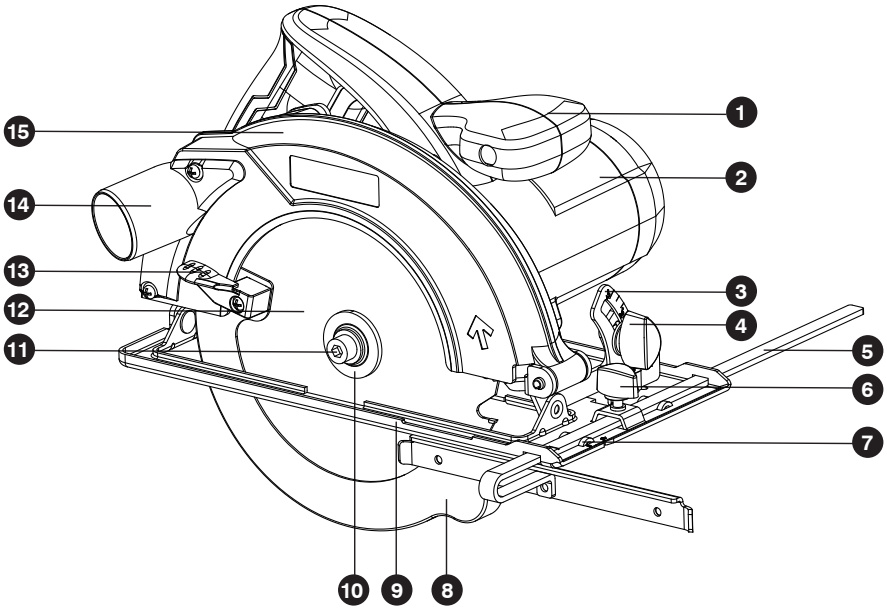


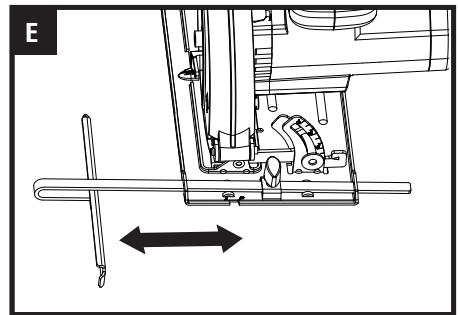
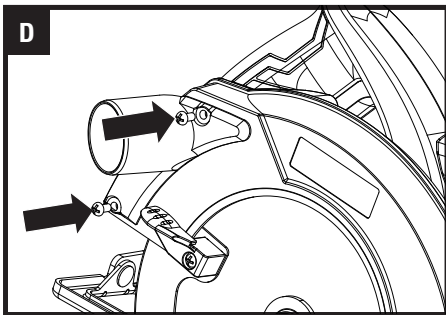
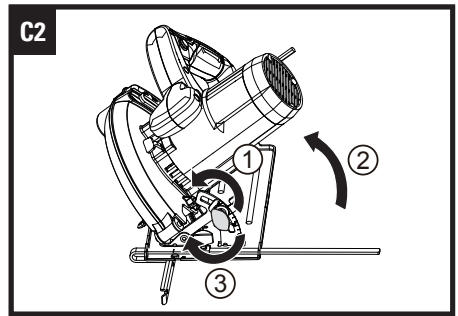
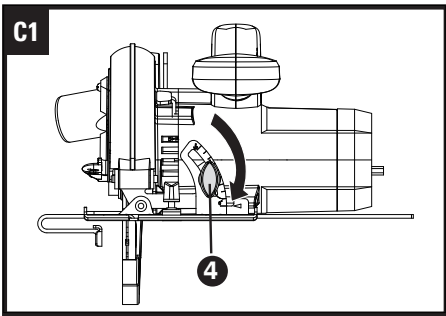
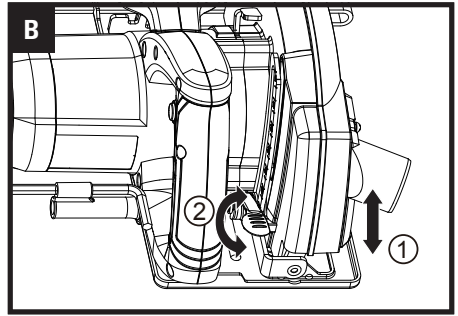
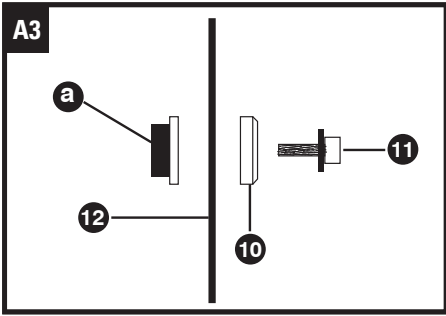
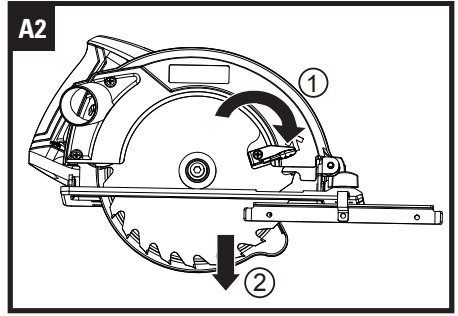
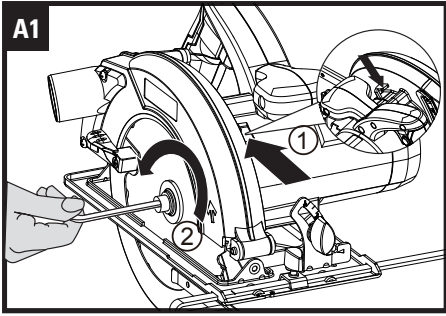
1400W

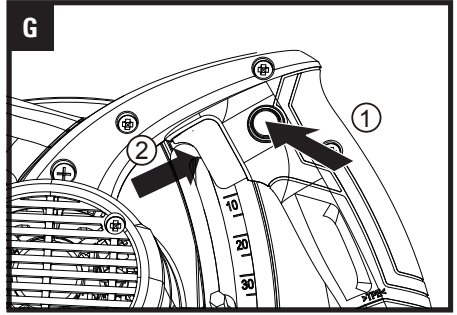
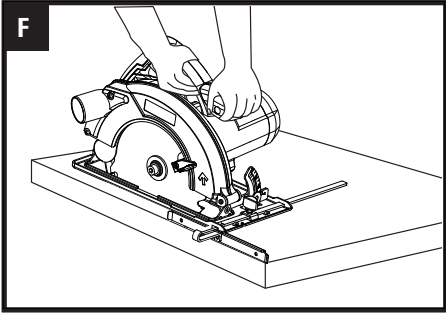
DX59



EN	Circular saw	DK	Rundsav
DE	Kreissäge	PL	Piła tarczowa
FR	Scie circulaire	BG	Циркулярен трион
IT	Sega circolare	HU	Körfűrész
ES	Sierra Circular	RO	Ferăstrău circular
NL	Cirkelzaag	CZ	Kotoucová pila
PT	Serra circular	SK	Cirkulárka
SV	Cirkelsåg	SL	Krožna žaga
FIN	Käsipyörösaha	TR	yuvarlak testere
NOR	Sirkelsag	AR	منشار دائري







ORIGINAL INSTRUCTIONS

PRODUCT SAFETY

GENERAL POWER TOOL SAFETY WARNINGS



WARNING! Read all safety warnings, instructions, illustrations and specifications provided with this power tool. Failure to follow all instructions listed below may result in electric shock, fire and/or serious injury.

Save all warnings and instructions for future reference. The term "power tool" in the warnings refers to your mains-operated (corded) power tool or battery-operated (cordless) power tool.

1) Work area safety

- a) **Keep work area clean and well lit.** Cluttered or dark areas invite accidents.
- b) **Do not operate power tools in explosive atmospheres, such as in the presence of flammable liquids, gases or dust.** Power tools create sparks which may ignite the dust or fumes.
- c) **Keep children and bystanders away while operating a power tool.** Distractions can cause you to lose control.

2) Electrical safety

- a) **Power tool plugs must match the outlet. Never modify the plug in any way. Do not use any adapter plugs with earthed (grounded) power tools.** Unmodified plugs and matching outlets will reduce risk of electric shock.
- b) **Avoid body contact with earthed or grounded surfaces, such as pipes, radiators, ranges and refrigerators.** There is an increased risk of electric shock if your body is earthed or grounded.
- c) **Do not expose power tools to rain or wet conditions.** Water entering a power tool will increase the risk of electric shock.
- d) **Do not abuse the cord. Never use the cord for carrying, pulling or unplugging the power tool. Keep cord away from heat, oil, sharp edges or moving parts.** Damaged or entangled cords increase the risk of electric shock.
- e) **When operating a power tool outdoors, use an extension cord suitable for outdoor use.** Use of a cord suitable for outdoor use reduces the risk of electric shock.
- f) **If operating a power tool in a damp location is unavoidable, use a residual current device (RCD) protected supply.** Use of an RCD reduces the risk of electric shock.

3) Personal safety

- a) **Stay alert, watch what you are doing and use common sense when operating a power tool. Do not use a power tool while you are tired or under the influence of drugs, alcohol or medication.** A moment of inattention while operating power tools may result in serious personal injury.
- b) **Use personal protective equipment. Always wear eye protection.** Protective equipment such as dust mask, non-skid safety shoes, hard hat, or hearing protection used for appropriate conditions will reduce personal injuries.
- c) **Prevent unintentional starting. Ensure the switch is in the off-position before connecting to power source and/or battery pack, picking up or carrying the tool.** Carrying power tools with your finger on the switch or energising

power tools that have the switch on invites accidents.


- d) **Remove any adjusting key or wrench before turning the power tool on.** A wrench or a key left attached to a rotating part of the power tool may result in personal injury.
- e) **Do not overreach. Keep proper footing and balance at all times.** This enables better control of the power tool in unexpected situations.
- f) **Dress properly. Do not wear loose clothing or jewellery. Keep your hair, clothing and gloves away from moving parts.** Loose clothes, jewellery or long hair can be caught in moving parts.
- g) **If devices are provided for the connection of dust extraction and collection facilities, ensure these are connected and properly used.** Use of dust collection can reduce dust-related hazards.
- h) **Do not let familiarity gained from frequent use of tools allow you to become complacent and ignore tool safety principles.** A careless action can cause severe injury within a fraction of a second.

4) Power tool use and care

- a) **Do not force the power tool. Use the correct power tool for your application.** The correct power tool will do the job better and safer at the rate for which it was designed.
 - b) **Do not use the power tool if the switch does not turn it on and off.** Any power tool that cannot be controlled with the switch is dangerous and must be repaired.
 - c) **Disconnect the plug from the power source and/or remove the battery pack, if detachable, from the power tool before making any adjustments, changing accessories, or storing power tools.** Such preventive safety measures reduce the risk of starting the power tool accidentally.
 - d) **Store idle power tools out of the reach of children and do not allow persons unfamiliar with the power tool or these instructions to operate the power tool.** Power tools are dangerous in the hands of untrained users.
 - e) **Maintain power tools and accessories. Check for misalignment or binding of moving parts, breakage of parts and any other condition that may affect the power tool's operation.** If damaged, have the power tool repaired before use. Many accidents are caused by poorly maintained power tools.
 - f) **Keep cutting tools sharp and clean.** Properly maintained cutting tools with sharp cutting edges are less likely to bind and are easier to control.
 - g) **Use the power tool, accessories and tool bits etc. in accordance with these instructions, taking into account the working conditions and the work to be performed.** Use of the power tool for operations different from those intended could result in a hazardous situation.
 - h) **Keep handles and grasping surfaces dry, clean and free from oil and grease.** Slippery handles and grasping surfaces do not allow for safe handling and control of the tool in unexpected situations.
- #### 5) Service
- a) **Have your power tool serviced by a qualified repair person using only identical replacement parts.** This will ensure that the safety of the power tool is maintained.

SAFETY INSTRUCTIONS FOR ALL SAWS

CUTTING PROCEDURES

- a)  **DANGER:** Keep hands away from cutting area and the blade. Keep your second hand on auxiliary handle, or motor housing. If both hands are holding the saw, they cannot be cut by the blade.
- b) Do not reach underneath the workpiece. The guard cannot protect you from the blade below the workpiece.
- c) Adjust the cutting depth to the thickness of the workpiece. Less than a full tooth of the blade teeth should be visible below the workpiece.
- d) Never hold the workpiece in your hands or across your leg while cutting. Secure the workpiece to a stable platform. It is important to support the work properly to minimise body exposure, blade binding, or loss of control.
- e) Hold the power tool by insulated gripping surfaces, when performing an operation where the cutting tool may contact hidden wiring or its own cord. Contact with a "live" wire will also make exposed metal parts of the power tool "live" and could give the operator an electric shock.
- f) When ripping, always use a rip fence or straight edge guide. This improves the accuracy of cut and reduces the chance of blade binding.
- g) Always use blades with correct size and shape (diamond versus round) of arbour holes. Blades that do not match the mounting hardware of the saw will run off-centre, causing loss of control.
- h) Never use damaged or incorrect blade washers or bolt. The blade washers and bolt were specially designed for your saw, for optimum performance and safety of operation.

FURTHER SAFETY INSTRUCTIONS FOR ALL SAWS

KICKBACK CAUSES AND RELATED WARNINGS

- Kickback is a sudden reaction to a pinched, jammed or misaligned saw blade, causing an uncontrolled saw to lift up and out of the workpiece toward the operator;
- When the blade is pinched or jammed tightly by the kerf closing down, the blade stalls and the motor reaction drives the unit rapidly back toward the operator;
- If the blade becomes twisted or misaligned in the cut, the teeth at the back edge of the blade can dig into the top surface of the wood causing the blade to climb out of the kerf and jump back toward the operator.

Kickback is the result of saw misuse and/or incorrect operating procedures or conditions and can be avoided by taking proper precautions as given below.

- a) Maintain a firm grip with both hands on the saw and position your arms to resist kickback forces. Position your body to either side of the blade, but not in line with the blade. Kickback could cause the saw to jump backwards, but kickback forces can be controlled by the operator, if proper precautions are taken.
- b) When blade is binding, or when interrupting a cut for any reason, release the trigger and hold the saw motionless in the material until the blade comes to a complete stop. Never attempt to remove the saw from the work or pull the saw backward while the blade is in motion or kickback may occur. Investigate and take corrective actions to eliminate the cause of blade binding.
- c) When restarting a saw in the workpiece, centre the saw blade in the kerf so that the saw teeth are not engaged into

the material. If a saw blade binds, it may walk up or kickback from the workpiece as the saw is restarted.

- d) Support large panels to minimise the risk of blade pinching and kickback. Large panels tend to sag under their own weight. Supports must be placed under the panel on both sides, near the line of cut and near the edge of the panel.
- e) Do not use dull or damaged blades. Unsharpened or improperly set blades produce narrow kerf causing excessive friction, blade binding and kickback.
- f) Blade depth and bevel adjusting locking levers must be tight and secure before making the cut. If blade adjustment shifts while cutting, it may cause binding and kickback.
- g) Use extra caution when sawing into existing walls or other blind areas. The protruding blade may cut objects that can cause kickback.

SAFETY INSTRUCTIONS FOR CIRCULAR SAW WITH INNER PENDULUM GUARD

LOWER GUARD FUNCTION

- a) Check the lower guard for proper closing before each use. Do not operate the saw if the lower guard does not move freely and close instantly. Never clamp or tie the lower guard into the open position. If the saw is accidentally dropped, the lower guard may be bent. Raise the lower guard with the retracting handle and make sure it moves freely and does not touch the blade or any other part, in all angles and depths of cut.
- b) Check the operation of the lower guard spring. If the guard and the spring are not operating properly, they must be serviced before use. Lower guard may operate sluggishly due to damaged parts, gummy deposits, or a build-up of debris.
- c) The lower guard may be retracted manually only for special cuts such as "plunge cuts" and "compound cuts." Raise the lower guard by retracting handle and as soon as the blade enters the material, the lower guard must be released. For all other sawing, the lower guard should operate automatically.
- d) Always observe that the lower guard is covering the blade before placing the saw down on bench or floor. An unprotected, coasting blade will cause the saw to walk backwards, cutting whatever is in its path. Be aware of the time it takes for the blade to stop after switch is released.

ADDITIONAL SAFETY RULES FOR YOUR CIRCULAR SAW

1. Use only saw blades recommended by the manufacturer, which conform to EN 847-1, if intended for wood and analogous materials.
2. Do not use any abrasive wheels.
3. Use only blade diameter(s) in accordance with the markings.
4. Identify the correct saw blade to be used for the material to be cut.
5. Use only saw blades that are marked with a speed equal or higher than the speed marked on the tool.

SYMBOLS



To reduce the risk of injury, user must read instruction manual



Warning



Wear eye protection



Wear ear protection



Wear dust mask



Wear protective gloves



Double insulation



Waste electrical products must not be disposed of with household waste. Please recycle where facilities exist. Check with your local authorities or retailer for recycling advice.



Lock



Unlock

COMPONENT LIST

1. FRONT HANDLE
2. MOTOR HOUSING
3. BASE PLATE ANGLE SCALE
4. BASE PLATE BEVEL LOCK
5. PARALLEL GUIDE
6. PARALLEL GUIDE LOCK KNOB
7. CUTTING GUIDE NOTCH
8. LOWER BLADE GUARD
9. BASE PLATE
10. OUTER FLANGE
11. BLADE BOLT
12. SAW BLADE
13. LOWER GUARD LEVER
14. VACUUM ADAPTER
15. FIXED GUARD
16. SAFETY ON/OFF SWITCH
17. LOCK-OFF BUTTON
18. DEPTH OF CUT ADJUSTMENT LEVER
19. HEX KEY
20. SPINDLE LOCK BUTTON

Not all the accessories illustrated or described are included in standard delivery.

TECHNICAL DATA

Type DX59 (59-designation of machinery, representative of circular saw)

Rated voltage	220-240V~50/60Hz	
Rated power	1400W	
No load speed	5800/min	
Protection class	□/II	
Blade size	185mm	
Blade bore	16mm	
Cutting capacity		
	90°	65mm
	45°	45mm
Bevel capacity		0-45°
Machine weight		4.06kg

NOISE INFORMATION

A weighted sound pressure	L_{pA} : 89.9 dB (A)
A weighted sound power	L_{wA} : 100.9 dB (A)
K_{pA} & K_{wA}	3.0 dB (A)
Wear ear protection.	

EN

VIBRATION INFORMATION

Vibration total values (triax vector sum) determined according to EN 62841:	
Vibration emission value	Cutting wood: $a_{h,W} = 1.62 \text{ m/s}^2$ (Main handle)
	Cutting wood: $a_{h,W} = 3.32 \text{ m/s}^2$ (Auxiliary handle)
	Uncertainty $K = 1.5 \text{ m/s}^2$

The declared vibration total value and the declared noise emission value have been measured in accordance with a standard test method and may be used for comparing one tool with another.

The declared vibration total value and the declared noise emission value may also be used in a preliminary assessment of exposure.



WARNING: The vibration and noise emissions during actual use of the power tool can differ from the declared value depending on the ways in which the tool is used especially what kind of workpiece is processed dependant on the following examples and other variations on how the tool is used:

How the tool is used and the materials being cut or drilled.

The tool being in good condition and well maintained.

The use of the correct accessory for the tool and ensuring it is sharp and in good condition.

The tightness of the grip on the handles and if any anti vibration and noise accessories are used.

And the tool is being used as intended by its design and these instructions.

This tool may cause hand-arm vibration syndrome if its use is not adequately managed.



WARNING: To be accurate, an estimation of exposure level in the actual conditions of use should also take account of all parts of the operating cycle such as the times when the tool is switched off and when it is running idle but not actually doing the job. This may significantly reduce the exposure level over the total working period.

Helping to minimise your vibration and noise exposure risk.

Always use sharp chisels, drills and blades.

Maintain this tool in accordance with these instructions and keep well lubricated (where appropriate).

If the tool is to be used regularly then invest in anti vibration and noise accessories.

Plan your work schedule to spread any high vibration tool use across a number of days.

ACCESSORIES

Vacuum adaptor	1
Hex key	1
Parallel guide	1
Blade	1

We recommend that you purchase your accessories from the same store that sold you the tool. Refer to the accessory packaging for further details. Store personnel can assist you and offer advice.

OPERATING INSTRUCTIONS



NOTE: Before using the tool, read the instruction book carefully.

INTENDED USE

The machine is intended for lengthways and crossways cutting of wood with straight cutting lines as well as bevel angles to 45° while resting firmly on the work piece.

ASSEMBLY

1. FITTING AND REMOVING THE SAW BLADE (SEE FIG. A1, A2, A3)

Press the spindle lock button and use the hex key to loosen and remove the blade bolt (11). Remove the outer flange (10). Rotate the lower blade guard clockwise by pushing the guard lever to take out the old blade (12). Fit a replaced blade. Ensure that the blade bore is located on the inner flange (a) and the blade direction arrow points in the same direction as the fixed guard arrow. Place the outer flange, the blade bolt onto the blade bore. Press the spindle lock again and use the hex key to tighten the bolt with 1/4 turn more than finger tight. Check if the blade is securely clamped.



WARNING: Blade teeth are very sharp. For best cutting results ensure you use a saw blade suited to the material and cut quality you need.

2. ADJUST THE CUTTING DEPTH (SEE FIG. B)

Lift the depth of cut lock lever and raise the saw body away from the base plate. Set the depth of cut with the scale and push the lever down to lock. Always add 3mm to your depth of cut so that the blade can cut through the material.

3. BASE PLATE ANGLE ADJUSTMENT (SEE FIG. C1, C2)

Turn the base plate bevel lock in anti-clockwise direction to loosen the angle scale. Tilt the base plate away from the machine until the required cutting angle is adjusted on the angle scale. Tighten the bevel lock by turning it in clockwise direction. Do not use the depth of cut scale when making bevel cuts due to possible inaccuracy.

4. DUST EXTRACTION OUTLET (SEE FIG. D)

Fasten the vacuum adapter onto the dust extraction outlet until it latches. Additionally fasten the vacuum adapter to the fixed guard with the two screws. Directly connect a suitable vacuum hose to the adapter.

Clean the vacuum adapter regularly to ensure optimum dust extraction. The vacuum cleaner must be suitable for the material to be worked.

5. PARALLEL GUIDE ADJUSTMENT (SEE FIG. E)

It is used for making cuts parallel to a workpiece edge at a chosen distance. Slide the parallel guide arm through the fixture

to achieve the required cutting distance then tighten the lock knob to clamp. It can be used from both sides of the base plate. For straight cuts, use the 0° guide mark to align with your parallel guide scale. For a 45° bevel cut, use the 45° guide mark to align with your parallel guide scale. Securely clamp the parallel guide.

NOTE: It is best to carry out a trial cut.

OPERATION

1. HAND GRIP POSITION (SEE FIG. F)

Always hold your saw firmly with both hands when operating.

2. SAFETY ON/OFF SWITCH (SEE FIG. G)

Your switch is locked off to prevent accidental starting. Depress the lock off button then the on/off switch and release the lock off button. Your switch is now on. To switch off, just release the on/off switch.

The blade may continue to rotate after switching off. Wait until the machine comes to a complete stop before setting down.

WORKING HINTS FOR YOUR CIRCULAR SAW

If your power tool becomes too hot, run your circular saw no load for 2-3 minutes to cool the motor. Avoid prolonged usage at very low speeds.

Always use a blade suited to the material and material thickness to be cut. The quality of cut will improve as the number of blade teeth increase.

Always ensure the work-piece is firmly held or clamped to prevent movement. Support large panels close to the cut line. Any movement of the material may affect the quality of the cut. The blade cuts on the upward stroke and may chip the uppermost surface or edges of your work piece. When cutting, ensure your uppermost surface is a non-visible surface when your work is finished. Feeding too fast significantly reduces the performance of the machine and shortens the life of the saw blade. Always face the good side of the work-piece down, to ensure minimum splintering. Only use sharp saw blades of the correct type.

MAINTENANCE

Remove the plug from the socket before carrying out any adjustment, servicing or maintenance.

Your power tool requires no additional lubrication or maintenance. There are no user serviceable parts in your power tool. Never use water or chemical cleaners to clean your power tool. Wipe clean with a dry cloth. Always store your power tool in a dry place. Keep the motor ventilation slots clean. Keep all working controls free of dust. Occasionally you may see sparks through the ventilation slots. This is normal and will not damage your power tool. If the supply cord is damaged, it must be replaced by the manufacturer, its service agent or similarly qualified persons in order to avoid a hazard.

ENVIRONMENTAL PROTECTION



Waste electrical products must not be disposed of with household waste. Please recycle where facilities exist. Check with your local authorities or retailer for recycling advice.

PLUG REPLACEMENT(ONLY FOR REWIRABLE PLUG OF UK & IRELAND)

If you need to replace the fitted plug then follow the instructions below.

IMPORTANT

The wires in the mains lead are colored in accordance with the following code:

Blue = Neutral

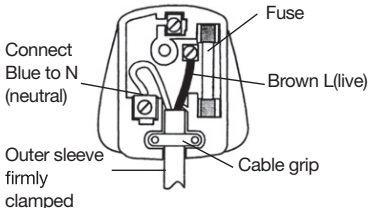
Brown = Live

As the colors of the wires in the mains lead of this appliance may not correspond with the colored markings identifying the terminals in your plug, proceed as follows. The wire which is colored blue must be connected to the terminal which is marked with N. The wire which is colored brown must be connected to the terminal which is marked with L.

Warning!

Never connect live or neutral wires to the earth terminal of the plug. Only fit an approved BS1363/A plug and the correct rated fuse.

Note: If a moulded plug is fitted and has to be removed take great care in disposing of the plug and severed cable, it must be destroyed to prevent engaging into a socket.



DECLARATION OF CONFORMITY

We,
POSITEC Germany GmbH
Postfach 32 02 16, 50796 Cologne, Germany

Declare that the product
Description **Circular saw**
Type **DX59 (59 - designation of machinery, representative of circular saw)**
Function **Cutting various materials with a rotating toothed blade**

Complies with the following Directives,
2006/42/EC, 2014/30/EU, 2011/65/EU&(EU)2015/863

Standards conform to
EN 62841-1
EN 62841-2-5
EN 55014-1
EN 55014-2
EN IEC 61000-3-2
EN 61000-3-3

The person authorized to compile the technical file,

Name **Marcel Filz**
Address **POSITEC Germany GmbH**
Postfach 32 02 16, 50796 Cologne, Germany



2021/05/20
Allen Ding
Deputy Chief Engineer, Testing & Certification
Positec Technology (China) Co., Ltd
18, Dongwang Road, Suzhou Industrial
Park, Jiangsu 215123, P. R. China

ORIGINALBETRIEBSANLEITUNG PRODUKTSICHERHEIT ALLGEMEINE SICHERHEITSHINWEISE FÜR ELEKTROWERKZEUGE



WARNUNG! Machen Sie sich mit allen Sicherheitswarnungen, Anweisungen, Abbildungen und Spezifikationen vertraut, die mit diesem Elektrowerkzeug geliefert werden. Die Nichtbeachtung der unten aufgeführten Anweisungen kann in elektrischen Schlägen, Feuer und/oder schweren Verletzungen resultieren.

Bewahren Sie alle Sicherheitshinweise und Anweisungen für die Zukunft auf.

Der in den Sicherheitshinweisen verwendete Begriff „Elektrowerkzeug“ bezieht sich auf akkubetriebene Elektrowerkzeuge (ohne Netzkabel).

1) Arbeitsplatzsicherheit

- a) Halten Sie Ihren Arbeitsbereich sauber und gut beleuchtet. Unordnung oder unbeleuchtete Arbeitsbereiche können zu Unfällen führen.
- b) Arbeiten Sie mit dem Elektrowerkzeug nicht in explosionsgefährdeter Umgebung, in der sich brennbare Flüssigkeiten, Gase oder Stäube befinden. Elektrowerkzeuge erzeugen Funken, die den Staub oder die Dämpfe entzünden können.
- c) Halten Sie Kinder und andere Personen während der Benutzung des Elektrowerkzeugs fern. Bei Ablenkung können Sie die Kontrolle über das Gerät verlieren.

2) Elektrische Sicherheit

- a) Der Anschlussstecker des Elektrowerkzeuges muss in die Steckdose passen. Der Stecker darf in keiner Weise verändert werden. Verwenden Sie keine Adapterstecker gemeinsam mit geschützten Elektrowerkzeugen. Unveränderte Stecker und passende Steckdosen verringern das Risiko eines elektrischen Schlags.
- b) Vermeiden Sie Körperkontakt mit geerdeten Oberflächen wie von Rohren, Heizungen, Herden und Kühlschränken. Es besteht ein erhöhtes Risiko durch elektrischen Schlag, wenn Ihr Körper geerdet ist.
- c) Halten Sie Elektrowerkzeuge von Regen oder Nässe fern. Das Eindringen von Wasser in ein Elektrowerkzeug erhöht das Risiko eines elektrischen Schlags.
- d) Zweckentfremden Sie das Kabel nicht, um das Elektrowerkzeug zu tragen, aufzuhängen oder um den Stecker aus der Steckdose zu ziehen. Halten Sie das Kabel fern von Hitze, Öl, scharfen Kanten oder sich bewegenden Geräteteilen. Beschädigte oder verwickelte Kabel erhöhen das Risiko eines elektrischen Schlags.
- e) Wenn Sie mit einem Elektrowerkzeug im Freien arbeiten, verwenden Sie nur Verlängerungskabel, die auch für den Außenbereich geeignet sind. Die Anwendung eines für den Außenbereich geeigneten Verlängerungskabels verringert das Risiko eines elektrischen Schlags.
- f) Wenn der Betrieb des Elektrowerkzeuges in feuchter Umgebung nicht vermeidbar ist, verwenden Sie einen Fehlerstromschutzschalter. Der Einsatz eines Fehlerstromschutzschalters vermindert das Risiko eines elektrischen Schlags.

3) Sicherheit von Personen

- a) Seien Sie aufmerksam, Achten Sie darauf, was Sie tun, und gehen Sie mit Vernunft an die Arbeit mit einem Elektrowerkzeug. Benutzen Sie kein Elektrowerkzeug, wenn Sie müde sind oder unter dem Einfluss von Drogen, Alkohol oder Medikamenten stehen. Ein Moment der Unachtsamkeit beim Gebrauch des Elektrowerkzeuges kann zu ernsthaften Verletzungen führen.
 - b) Tragen Sie persönliche Schutzausrüstung und immer eine Schutzbrille. Das Tragen persönlicher Schutzausrüstung, wie Staubmaske, rutschfeste Sicherheitsschuhe, Schutzhelm oder Gehörschutz, je nach Art und Einsatz des Elektrowerkzeuges, verringert das Risiko von Verletzungen.
 - c) Vermeiden Sie eine unbeabsichtigte Inbetriebnahme. Vergewissern Sie sich, dass das Elektrowerkzeug ausgeschaltet ist, bevor Sie es an den Akku anschließen, es aufnehmen oder tragen. Wenn Sie beim Tragen des Elektrowerkzeuges den Finger am Schalter haben oder das Gerät eingeschaltet an die Stromversorgung anschließen, kann dies zu Unfällen führen.
 - d) Entfernen Sie Einstellwerkzeuge oder Schraubenschlüssel, bevor Sie das Elektrowerkzeug einschalten. Ein Werkzeug oder Schlüssel, der sich in einem drehenden Geräteteil befindet, kann zu Verletzungen führen.
 - e) Vermeiden Sie eine abnormale Körperhaltung. Sorgen Sie für einen sicheren Stand und halten Sie jederzeit das Gleichgewicht. Dadurch können Sie das Elektrowerkzeug in unerwarteten Situationen besser kontrollieren.
 - f) Tragen Sie geeignete Kleidung. Tragen Sie keine weite Kleidung oder Schmuck. Halten Sie Haare und Kleidung fern von sich bewegenden Teilen. Lockere Kleidung, Schmuck oder lange Haare können von sich bewegenden Teilen erfasst werden.
 - g) Wenn Staubabsaug- und -auffangeinrichtungen montiert werden können, vergewissern Sie sich, dass diese angeschlossen sind und richtig verwendet werden. Verwendung einer Staubabsaugung kann Gefährdungen durch Staub verringern.
 - h) Vermeiden Sie, durch die häufige Nutzung des Werkzeugs in einen Trott zu verfallen und Prinzipien für die Werkzeugsicherheit zu ignorieren. Eine unachtsame Aktion kann im Bruchteil einer Sekunde zu schweren Verletzungen führen.
- 4) Verwendung und Behandlung des Elektrowerkzeuges
 - a) Überlasten Sie das Gerät nicht. Verwenden Sie für Ihre Arbeit das dafür bestimmte Elektrowerkzeug. Mit dem passenden Elektrowerkzeug arbeiten Sie besser und sicherer im angegebenen Leistungsbereich.
 - b) Benutzen Sie kein Elektrowerkzeug, dessen Schalter defekt ist. Ein Elektrowerkzeug, das sich nicht mehr ein- oder ausschalten lässt, ist gefährlich und muss repariert werden.
 - c) Klemmen Sie den Stecker von der Stromversorgung ab und/oder entfernen Sie den Akku (falls abnehmbar) aus dem Elektrowerkzeug, bevor Sie Geräteeinstellungen vornehmen, Zubehörteile wechseln oder das Gerät weglegen. Diese Vorsichtsmaßnahme verhindert den unbeabsichtigten Start des Elektrowerkzeuges.
 - d) Bewahren Sie unbenutzte Elektrowerkzeuge außerhalb der Reichweite von Kindern auf. Lassen Sie Personen das Gerät nicht benutzen, die mit diesem nicht vertraut sind oder diese Anweisungen nicht gelesen haben. Elektrowerkzeuge sind gefährlich, wenn Sie von unerfahrenen Personen benutzt werden.

- e) **Warten Sie die Elektrowerkzeuge und Zubehör.** Kontrollieren Sie, ob bewegliche Teile einwandfrei funktionieren und nicht klemmen, ob Teile gebrochen oder so beschädigt sind, dass die Funktion des Elektrowerkzeuges beeinträchtigt ist. Lassen Sie beschädigte Teile vor dem Einsatz des Gerätes reparieren. Viele Unfälle haben ihre Ursache in schlecht gewarteten Elektrowerkzeugen.
- f) **Halten Sie Schneidwerkzeuge scharf und sauber.** Sorgfältig gepflegte Schneidwerkzeuge mit scharfen Schneidkanten verklemmen sich weniger und sind leichter zu führen.
- g) **Verwenden Sie Elektrowerkzeug, Zubehör, Einsatzwerkzeuge usw. entsprechend diesen Anweisungen.** Berücksichtigen Sie dabei die Arbeitsbedingungen und die auszuführende Tätigkeit. Der Gebrauch von Elektrowerkzeugen für andere als die vorgesehenen Anwendungen kann zu gefährlichen Situationen führen.
- h) **Halten Sie die Griffe trocken, sauber und frei von Öl und Fett.** Rutschige Griffe und Oberflächen unterbinden die sichere Bedienbarkeit und Kontrolle über das Werkzeug in unerwarteten Situationen.

5) Service

- a) **Lassen Sie Ihr Elektrowerkzeug nur von qualifiziertem Fachpersonal und nur mit Original-Ersatzteilen reparieren.** Damit wird sichergestellt, dass die Sicherheit des Gerätes erhalten bleibt.

und mit passender Aufnahmebohrung (z. B. sternförmig oder rund). Sägeblätter, die nicht zu den Montageteilen der Säge passen, laufen unrund und führen zum Verlust der Kontrolle.

- h) **Verwenden Sie niemals beschädigte oder falsche Sägeblatt-Unterlegscheiben (Flansche) oder –schrauben.** Die Sägeblatt-Unterlegscheiben und –schrauben wurden speziell für Ihre Säge konstruiert, für optimale Leistung und Betriebssicherheit.

URSACHEN UND VERMEIDUNG EINES RÜCKSCHLAGES

URSACHEN EINES RÜCKSCHLAGS UND DIESBEZÜGLICHE WARNHINWEISE

- Ein Rückschlag ist die plötzliche Reaktion infolge eines hakenden, klemmenden oder falsch ausgerichteten Sägeblattes, die dazu führt, dass eine unkontrollierte Säge abhebt und sich aus dem Werkstück heraus in Richtung der Bedienperson bewegt;
- Wenn sich das Sägeblatt in dem sich schließenden Sägespalt verhakt oder verklemmt, blockiert es, und die Motorkraft schlägt das Gerät in Richtung der Bedienperson zurück;
- Wird das Sägeblatt im Sägeschnitt verdreht oder falsch ausgerichtet, können sich die Zähne der hinteren Sägeblattkante in der Oberfläche des Werkstücks verhaken, wodurch sich das Sägeblatt aus dem Sägespalt herausbewegt und die Säge in Richtung der Bedienperson zurückspringt.

Ein Rückschlag ist die Folge eines falschen oder fehlerhaften Gebrauchs der Säge. Er kann durch geeignete Vorsichtsmaßnahmen, wie nachfolgend beschrieben, verhindert werden.

- a) **Halten Sie die Säge mit beiden Händen fest und bringen Sie Ihre Arme in eine Stellung, in der Sie den Rückschlagkräften standhalten können.** Halten Sie sich immer seitlich des Sägeblattes, nie das Sägeblatt in eine Linie mit Ihrem Körper bringen. Bei einem Rückschlag kann die Kreissäge rückwärts springen, jedoch kann die Bedienperson die Rückschlagkräfte beherrschen, wenn geeignete Maßnahmen getroffen wurden.
- b) **Falls das Sägeblatt klemmt oder das Sägen aus einem anderen Grund unterbrochen wird, lassen Sie den Ein-Aus-Schalter los und halten Sie die Säge im Werkstoff ruhig, bis das Sägeblatt vollständig still steht.** Versuchen Sie niemals, die Säge aus dem Werkstück zu entfernen oder sie rückwärts zu ziehen, solange das Sägeblatt sich bewegt oder sich ein Rückschlag ereignen könnte. Finden Sie die Ursache für das Klemmen des Sägeblattes und beseitigen Sie diese durch geeignete Maßnahmen.
- c) **Wenn Sie eine Säge, die im Werkstück steckt, wieder starten wollen, zentrieren Sie das Sägeblatt im Sägespalt und überprüfen Sie, ob die Sägezähne nicht im Werkstück verhakt sind.** Klemmt das Sägeblatt, kann es sich aus dem Werkstück herausbewegen oder einen Rückschlag verursachen, wenn die Säge erneut gestartet wird.
- d) **Stützen Sie große Platten ab, um das Risiko durch ein klemmendes Sägeblatt zu vermindern.** Große Platten können sich durch ihr Eigengewicht durchbiegen. Platten müssen auf beiden Seiten, sowohl in der Nähe des Sägespaltes als auch am Rand, abgestützt werden.
- e) **Verwenden Sie keine stumpfen oder beschädigten Sägeblätter.** Sägeblätter mit stumpfen oder falsch

SICHERHEITSANWEISUNGEN FÜR ALLE SÄGEN SÄGEVERFAHREN

SCHNEIDVERFAHREN

- a) **! WARNUNG:** Kommen Sie mit Ihren Händen nicht in den Sägebereich und an das Sägeblatt. Halten Sie die andere Hand am Zusatzgriff oder dem Motorgehäuse. Wenn beide Hände die Kreissäge halten, kann das Sägeblatt diese nicht verletzen.
- b) **Greifen Sie nicht unter das Werkstück.** Die Schutzhaube kann Sie unter dem Werkstück nicht vor dem Sägeblatt schützen.
- c) **Passen Sie die Schnitttiefe an die Dicke des Werkstückes an.** Es sollte weniger als eine volle Zahnhöhe unter dem Werkstück sichtbar sein.
- d) **Halten Sie das zu sägende Werkstück niemals mit der Hand oder über dem Bein fest.** Sichern Sie das Werkstück an einer stabilen Unterlage. Es ist wichtig, das Werkstück gut zu befestigen, um die Gefahr von Körperkontakt, Klemmen des Sägeblattes oder Verlust der Kontrolle zu minimieren.
- e) **Halten Sie das Gerät nur an den isolierten Griffflächen, wenn Sie Arbeiten ausführen, bei denen das Einsatzwerkzeug verborgene Stromleitungen oder das eigene Netzkabel treffen kann.** Der Kontakt mit einer spannungsführenden Leitung kann auch metallene Geräteteile unter Spannung setzen und zu einem elektrischen Schlag führen.
- f) **Verwenden Sie beim Längsschneiden immer einen Anschlag oder eine gerade Kantenführung.** Dies verbessert die Schnittgenauigkeit und verringert die Möglichkeit, dass das Sägeblatt klemmt.
- g) **Verwenden Sie immer Sägeblätter in der richtigen Größe**

ausgerichteten Zähnen verursachen durch einen zu engen Sägespalt eine erhöhte Reibung, Klemmen des Sägeblattes und Rückschlag.

- f) **Ziehen Sie vor dem Sägen die Schnitttiefen- und Schnittwinkleinstellungen fest.** Wenn sich während des Sägens die Einstellungen verändern, kann sich das Sägeblatt verklemmen und ein Rückschlag auftreten.
- g) **Seien Sie besonders vorsichtig, wenn sich sägen in einen verborgenen Bereich, z. B. in einer bestehenden Wand.** Das eintauchende Sägeblatt kann beim Sägen in verborgene Objekte blockieren und einen Rückschlag verursachen.

SICHERHEITSHINWEISE FÜR KREISSÄGEN MIT PENDELSCHUTZHAUBE

UNTERE SCHUTZFUNKTION

- a) **Prüfen Sie vor jedem Arbeitsbeginn, ob die untere Schutzhaube richtig geschlossen ist. Verwenden Sie die Säge nicht, wenn die untere Schutzhaube nicht freigängig ist. Schalten Sie die Säge sofort aus. Versuchen Sie niemals, die geöffnete untere Schutzhaube festzuklemmen oder hochzubinden. Die untere Schutzhaube kann beschädigt werden, wenn die Säge herunter fällt. Öffnen Sie die Schutzhaube mit dem Rückziehhelb und vergewissern Sie sich, dass sie in allen Richtungen und für alle Schnitttiefen freigängig ist und die Säge oder andere Teile des Werkzeugs nicht berührt.**
- b) **Kontrollieren Sie die Funktionstüchtigkeit der Schutzhaubenfeder. Lassen Sie eine schwergängige Schutzhaube oder eine defekte Feder instand setzen, ehe Sie das Werkzeug wieder verwenden. Die Funktion der unteren Schutzhaube kann durch Beschädigungen oder Verschmutzungen eingeschränkt werden.**
- c) **Die untere Schutzhaube darf nur für spezielle Sägearbeiten manuell zurückgezogen werden, z. B. für Einstecharbeiten oder für Mehrfachschnitte. Öffnen Sie die untere Schutzhaube mit dem Rückziehhelb und lassen Sie sie los, sobald die Säge in das Material eingreift. Bei allen anderen Sägearbeiten darf die Funktion der unteren Schutzhaube nicht manuell manipuliert werden.**
- d) **Das Sägeblatt muss durch die untere Schutzhaube geschützt werden, ehe Sie die Säge auf die Werkbank oder auf den Boden legen. Eine ungeschützte, noch auslaufende Säge bewegt sich selbstständig rückwärts und schneidet alles, was im Weg liegt. Seien Sie sich immer bewusst, dass die Säge nach dem Ausschalten noch eine Weile weiter läuft.**

schneidende Material.

- 5. Verwenden Sie nur Sägeblätter, die mit einer Geschwindigkeit gekennzeichnet sind, die der auf dem Werkzeug angegebenen entspricht bzw. darüber liegt.

SYMBOLE



Zur Reduzierung der Verletzungsgefahr bitte die Bedienungsanleitung durchlesen



WARNUNG



Tragen Sie eine Schutzbrille



Tragen Sie einen Gehörschutz



Tragen Sie eine Staubmaske



Schutzhandschuhe tragen



Schutzisolation



Elektroprodukte dürfen nicht mit dem normalen Haushaltsmüll entsorgt werden, sondern sollten nach Möglichkeit zu einer Recyclingstelle gebracht werden. Ihre zuständigen Behörden oder Ihr Fachhändler geben Ihnen hierzu gerne Auskunft.



Verriegeln



Entriegeln

ZUSÄTZLICHE SICHERHEITSHINWEISE FÜR KREISSÄGEN

- 1. Verwenden Sie ausschließlich vom Hersteller empfohlene Sägeblätter konform mit EN 847-1, wenn Sie Holz und ähnliche Materialien bearbeiten.
- 2. Benutzen Sie keinerlei Schleifscheiben.
- 3. Verwenden Sie nur Sägeblätter mit einem Durchmesser entsprechend den Kennzeichnungen.
- 4. Ermitteln Sie das korrekte Sägeblatt für das jeweils zu

KOMPONENTENLISTE

1. VORDERER GRIFF
2. MOTORGEHÄUSE
3. BASIS PLATTE WINKELSKALA
4. GRUNDPLATTE MIT SCHRÄGARRETIERUNG
5. PARALLELFÜHRUNG
6. VERRIEGELUNGSKNOPF DER PARALLELFÜHRUNG
7. SCHNITTFÜHRUNGSKERBE
8. UNTERE SÄGEBLATTSCHUTZ
9. GRUNDPLATTE
10. AUSSENFLANSCH
11. BLATTBOLZEN
12. SÄGEKLINGE
13. UNTERER SCHUTZHEBEL
14. VAKUUM-ADAPTER
15. FESTER SCHUTZ
16. SICHERHEITS-EIN-/AUS-SCHALTER
17. ARRETIERUNGSKNOPF
18. HEBEL ZUR EINSTELLUNG DER SCHNITTITIEFE
19. HEX-SCHLÜSSEL
20. SPINDELARRETIERUNGSKNOPF

Nicht alle abgebildeten oder beschriebenen Zubehörteile sind in der Standardlieferung enthalten.

TECHNISCHE DATEN

DE

Typ: DX59 (59-Bezeichnung der Maschine, repräsentativ für den Bohrer)

Nennspannung	220-240V~50/60Hz
Nennaufnahme	1400W
Leerlaufdrehzahl	5800/min
Schutzklasse	□/II
Blattgröße	185mm
Klingenbohrung	16mm
Schneidleistung:	
90°	65mm
45°	45mm
Abschrägungskapazität	0-45°
Maschinengewicht	4.06kg

INFORMATIONEN ÜBER LÄRM

Gewichteter Schalldruck	L_{pA} : 89.9 dB (A)
Gewichtete Schalleistung	L_{wA} : 100.9 dB (A)
K_{pA} & K_{wA}	3.0 dB (A)
Tragen Sie einen Gehörschutz.	

INFORMATIONEN ÜBER VIBRATIONEN

Vibrations gesamt messwertermittlung gemäß EN 62841:	
Vibrationsemissionswert	Holz sägen: $a_{h,W} = 1.62 \text{ m/s}^2$ (Hauptgriff)
	Holz sägen: $a_{h,W} = 3.32 \text{ m/s}^2$ (Hilfsgriff)
	Unsicherheit K = 1.5 m/s ²

Der angegebene Vibrationsgesamtwert kann und der angegebene Vibrationsemissionswert wurden gemäß Standardprüfverfahren

gemessen und können zum Vergleichen eines Werkzeug mit einem anderen verwendet werden. Der angegebene Vibrationsgesamtwert und der angegebene Vibrationsemissionswert können auch für eine anfängliche Beurteilung der Beeinträchtigung verwendet werden.

! WARNUNG: Die Vibrations- und Lärmemissionen bei der eigentlichen Nutzung des Elektrowerkzeugs können vom angegebenen Wert abweichen, je nachdem, wie das Werkzeug verwendet wird und insbesondere abhängig davon, welcher Werkstücktyp verarbeitet wird, und abhängig von folgenden Beispielen und verschiedenen Einsatzmöglichkeiten des Werkzeugs:

Wie das Werkzeug verwendet wird und Materialien geschnitten oder angebohrt werden. Das Werkzeug ist in gutem Zustand und gut gepflegt. Verwendung des richtigen Zubehörs für das Werkzeug und Gewährleistung seiner Schärfe und seines guten Zustands. Die Festigkeit des Griffs auf den Handgriffen und, falls Antivibrations- und Lärmschutzzubehör verwendet wird. Und ob das verwendete Werkzeug dem Design und diesen Anweisungen entsprechend verwendet wird.

Wird dieses Werkzeug nicht angemessen gehandhabt, kann es ein Hand-Arm-Vibrationssyndrom erzeugen.

! WARNUNG: Um genau zu sein, sollte eine Abschätzung des Belastungsgrades aller Arbeitsabschnitte während tatsächlicher Verwendung berücksichtigt werden, z.B. die Zeiten, wenn das Werkzeug ausgeschaltet ist, und wenn es sich im Leerlauf befindet und eigentlich nicht eingesetzt wird. Auf diese Weise kann der Belastungsgrad während der gesamten Arbeitszeit wesentlich gemindert werden.

Hilft dabei, das Risiko der Vibrations- und Lärmbelastung zu minimieren. Verwenden Sie immer scharfe Meissel, Bohrer und Sägeblätter. Pflegen Sie dieses Werkzeug diesen Anweisungen entsprechend und achten Sie auf eine gute Einfettung (wo erforderlich). Falls das Werkzeug regelmäßig verwendet werden soll, investieren Sie in Antivibrations- und Lärmschutzzubehör. Machen Sie einen Arbeitsplan, um die Verwendung von hochvibrierenden Werkzeugen auf mehrere Tage zu verteilen.

ZUBEHÖR

Vakuum-Adapter	1
Inbusschlüssel	1
Parallelführung	1
Sägeblatt	1

Wir empfehlen, dass Sie Ihr Zubehör in dem Geschäft kaufen, in dem Sie das Werkzeug verkauft haben. Weitere Einzelheiten finden Sie in der Verpackung des Zubehörs. Das Ladenpersonal kann Ihnen behilflich sein und Ratschläge geben.

BETRIEBSANLEITUNG



HINWEIS: Bitte lesen Sie die Bedienungsanleitung sorgfältig durch, bevor Sie das Werkzeug verwenden.

VERWENDUNGSZWECK

Die Maschine ist so konstruiert, dass sie mit geraden Schnittlinien und Holz mit einem Neigungswinkel von 45° in Längsrichtung und seitlich schneidet und dabei fest auf dem Werkstück platziert wird.

MONTAGE

1. EIN UND AUSBAU DER STAUBBOX (SIEHE ABB. A1, A2, A3)

Drücken Sie die Spindelarrretierungstaste und verwenden Sie den Sechskantschlüssel, um die Sägeblattschraube (11) zu lösen und zu entfernen. Entfernen Sie den äußeren Flansch (10). Drehen Sie den unteren Sägeblattschutz im Uhrzeigersinn, indem Sie den Schutzhebel drücken, um das alte Sägeblatt herauszunehmen (12). Setzen Sie ein neues Sägeblatt ein. Vergewissern Sie sich, dass sich die Bohrung des Sägeblatts auf dem inneren Flansch (a) befindet und der Richtungspfeil des Sägeblatts in die gleiche Richtung wie der Pfeil der fest installierten Schutzeinrichtung zeigt. Setzen Sie den äußeren Flansch und die Sägeblattschraube auf die Sägeblattbohrung. Drücken Sie erneut auf die Spindelarrretierung und ziehen Sie die Schraube mit dem Sechskantschlüssel um 1/4-Umdrehung mehr als handfest an. Prüfen Sie, ob das Sägeblatt sicher fest sitzt.



! WARNUNG: Die Klingenzähne sind sehr scharf. Um die besten Schnittergebnisse zu erzielen, verwenden Sie bitte ein Sägeblatt, das für das Material und die Schnittqualität geeignet ist, die Sie benötigen.

2. EINSTELLEN DIE SCHNEIDTIEFE (SIEHE ABB. B)

Drehen Sie den Schnitttiefenverriegelungsknopf und heben Sie den Sägekörper von der Grundplatte ab. Verwenden Sie die Skala, um die Schnitttiefe einzustellen, und ziehen Sie dann den Verriegelungsknopf für die Schnitttiefe fest, um ihn zu verriegeln. Erhöhen Sie die Schnitttiefe immer um 3 mm, damit die Klinge in das Material eindringen kann.

3. EINSTELLUNG DES WINKELS DER GRUNDPLATTE (SIEHE ABB. C1, C2)

Heben Sie die Winkelverriegelung der Bodenplatte gegen den Uhrzeigersinn an, um die Winkelskala freizugeben. Kippen Sie die Grundplatte von der Maschine weg, bis der gewünschte Schnittwinkel auf der Winkelskala eingestellt. Drücken Sie die Fasenverriegelung, um die Fasenverriegelung zu verriegeln. Verwenden Sie wegen möglicher Ungenauigkeiten die Schnitttiefenskala nicht, wenn Sie Schrägschnitte ausführen.

4. ENTSTAUBUNGS AUSLASS (SIEHE ABB. D)

Befestigen Sie den Vakuumadapter im Uhrzeigersinn am Staubauslass, bis er einrastet. Befestigen Sie den Vakuumadapter zusätzlich mit zwei Schrauben am festen Schild und schließen. Sie dann einen geeigneten Vakuumschlauch

direkt an den Adapter an.

Reinigen Sie den Staub-Adapter regelmäßig, um sicherzustellen, dass die Staubabsaugung optimal ist. Der Staubsauger muss für das zu bearbeitende Material geeignet sein.

5. EINSTELLUNG DER PARALLELFÜHRUNG (SIEHE ABB. E)

Es wird verwendet, um in einem ausgewählten Abstand parallel zur Kante des Werkstücks zu schneiden. Schieben Sie den parallelen Führungsarm durch die Vorrichtung, um den erforderlichen Schnittabstand zu erreichen, und ziehen Sie dann den Verriegelungsknopf fest, um ihn festzuklemmen. Verwenden Sie zum geraden Schneiden die 0 ° Leitungsmarkierung, um sie an der parallelen Führungsskala auszurichten. Verwenden Sie zum Schneiden mit 45 ° Fase die 45 ° Leitmarkierung, um sie an der parallelen Führungsskala auszurichten. Klemmen Sie die Parallelschiene fest.

HINWEIS: Am besten probieren Sie es aus.

BETRIEB

1. HANDGRIFFPOSITION(SIEHE ABB. F)

Halten Sie die Säge während des Betriebs immer mit beiden Händen fest.

2. EIN UND AUSSCHALTEN (SIEHE ABB. G)

Ihr Schalter ist gesperrt, um eine versehentliche Aktivierung zu verhindern. Drücken Sie die Sperrtaste, dann den Ein / Ausschalter und lassen Sie die Sperrtaste los. Ihr Schalter ist jetzt eingeschaltet. Lassen Sie den Ein-/Ausschalter los, um die Maschine auszuschalten.

Nach dem Schließen kann sich die Klinge weiter drehen. Warten Sie, bis das Gerät vollständig angehalten hat, bevor Sie Einstellungen vornehmen.

ARBEITSHINWEISE FÜR IHRE KREISSÄGE

Wenn Ihr Elektrowerkzeug überhitzt, stellen Sie die Geschwindigkeit auf Maximum und lassen Sie es 2-3 Minuten im Leerlauf, um den Motor abzukühlen. Vermeiden Sie einen längeren Gebrauch bei sehr niedrigen Geschwindigkeiten. Verwenden Sie immer eine Klinge, die für das zu schneidende Material und die zu schneidende Materialstärke geeignet. Stellen Sie immer sicher, dass das Werkstück fest sitzt oder festgeklemmt ist, um eine Bewegung zu verhindern. Beginnen Sie zur einfacheren Kontrolle mit dem Schneiden mit niedriger Geschwindigkeit und erhöhen Sie dann die richtige Geschwindigkeit. Jede Bewegung des Materials kann die Schnittqualität beeinträchtigen. Die Klinge schneidet beim Aufwärtshub und kann die Oberseite oder Oberfläche des Werkstücks brechen. Stellen Sie nach Abschluss der Arbeiten sicher, dass die Oberfläche unsichtbar. Ein zu schneller Vorschub verringert die Leistung der Maschine erheblich und verkürzt die Lebensdauer des Sägeblatts. Die nach der Bearbeitung sichtbare Seite des Werkstücks muss immer nach unten zeigen, damit möglichst wenig absplittert. Verwenden Sie nur scharfe Sägeblätter des geeigneten Typs.

WARTUNG

Ziehen Sie grundsätzlich den Netzstecker, bevor Sie Einstell-, Reparatur- oder Wartungstätigkeiten ausführen. Ihr Werkzeug benötigt keine zusätzliche Schmierung oder Wartung.

Es enthält keine Teile, die Sie warten müssen. Reinigen Sie Ihr Werkzeug niemals mit Wasser oder chemischen Lösungsmitteln. Wischen Sie es mit einem trockenen Tuch sauber. Lagern Sie Ihr Werkzeug immer an einem trockenen Platz. Sorgen Sie dafür, dass bei staubigen Arbeiten die Lüftungöffnungen frei sind. Gelegentlich sind durch die Lüftungsschlitze hindurch Funken zu sehen. Dies ist normal und wird Ihr Werkzeug nicht beschädigen. Falls das Netzkabel beschädigt sein sollte, muss es vom Hersteller, einem seiner Service-Beauftragten oder einer ähnlich qualifizierten Person instandgesetzt werden, damit es nicht zu Gefährdungen kommt.

UMWELTSCHUTZ



Elektroprodukte dürfen nicht mit dem normalen Haushaltsmüll entsorgt werden, sondern sollten nach Möglichkeit zu einer Recyclingstelle gebracht werden. Ihre zuständigen Behörden oder Ihr Fachhändler geben Ihnen hierzu gerne Auskunft.

KONFORMITÄTSERKLÄRUNG

Wir,
POSITEC Germany GmbH
Postfach 32 02 16, 50796 Cologne, Germany

erklären hiermit, dass unser Produkt
Beschreibung: **Kreissäge**
Typ **DX59 (59 - Bezeichnung der Maschine, repräsentativ für Kreissägen)**
Funktionen **Sägen verschiedener Materialien mit einem rotierenden Sägeblatt**

den Bestimmungen der folgenden Richtlinien entspricht:
2006/42/EC, 2014/30/EU, 2011/65/EU&(EU)2015/863

Werte nach
EN 62841-1
EN 62841-2-5
EN 55014-1
EN 55014-2
EN IEC 61000-3-2
EN 61000-3-3

Zur Kompilierung der technischen Datei ermächtigte Person
Name: Marcel Filtz
Anschrift: POSITEC Germany GmbH
Postfach 32 02 16, 50796 Cologne, Germany



2021/05/20
Allen Ding
Stellvertretender Chefsingenieur,
Prüfung und Zertifizierung
Positec Technology (China) Co., Ltd
18, Dongwang Road, Suzhou Industrial
Park, Jiangsu 215123, P. R. China

NOTICE ORIGINALE

SÉCURITÉ DU PRODUIT

AVERTISSEMENTS DE SÉCURITÉ GÉNÉRAUX POUR L'OUTIL



AVERTISSEMENT: Lire l'ensemble des mises en garde, instructions, illustrations et spécifications fourni avec cet outil électrique. *Ne pas suivre toutes les instructions énumérées ci-dessous peut conduire à une électrocution, un incendie et / ou des blessures graves.*

Conserver tous les avertissements et toutes les instructions pour pouvoir s'y reporter ultérieurement.

Le terme «outil» dans les avertissements fait référence à votre outil électrique alimenté par le secteur (avec cordon d'alimentation) ou votre outil fonctionnant sur batterie (sans cordon d'alimentation).

1) Sécurité de la zone de travail

- a) **Conserv**er la zone de travail propre et bien éclairée. *Les zones en désordre ou sombres sont propices aux accidents.*
- b) **Ne pas faire fonctionner** les outils électriques en atmosphère explosive, par exemple en présence de liquides inflammables, de gaz ou de poussières. *Les outils électriques produisent des étincelles qui peuvent enflammer les poussières ou les fumées.*
- c) **Maintenir les enfants et les personnes présentes à l'écart** pendant l'utilisation de l'outil. *Les distractions peuvent vous faire perdre le contrôle de l'outil.*

2) Sécurité électrique

- a) **Il faut que les fiches de l'outil électrique soient adaptées au socle. Ne jamais modifier la fiche de quelque façon que ce soit. Ne pas utiliser d'adaptateurs avec des outils à branchement de terre.** *Des fiches non modifiées et des socles adaptés réduiront le risque de choc électrique.*
- b) **Eviter tout contact du corps avec des surfaces reliées à la terre telles que les tuyaux, les radiateurs, les cuisinières et les réfrigérateurs.** *Il existe un risque accru de choc électrique si votre corps est relié à la terre.*
- c) **Ne pas exposer les outils à la pluie ou à des conditions humides.** *La pénétration d'eau à l'intérieur d'un outil augmentera le risque de choc électrique.*
- d) **Ne pas maltraiter le cordon. Ne jamais utiliser le cordon pour porter, tirer ou débrancher l'outil. Maintenir le cordon à l'écart de la chaleur, du lubrifiant, des arêtes ou des parties en mouvement.** *Des cordons endommagés ou emmêlés augmentent le risque de choc électrique.*
- e) **Lorsqu'on utilise un outil à l'extérieur, utiliser un prolongateur adapté à l'utilisation extérieure.** *L'utilisation d'un cordon adapté à l'utilisation extérieure réduit le risque de choc électrique.*
- f) **Si l'usage d'un outil dans un emplacement humide est inévitable, utiliser une alimentation protégée par un dispositif à courant différentiel résiduel (DDR).** *L'usage d'un DDR réduit le risque de choc électrique.*

3) Sécurité des personnes

- a) **Restez vigilant, regardez ce que vous êtes en train de faire et faites preuve de bon sens dans votre utilisation de l'outil. Ne pas utiliser un outil lorsque vous êtes fatigué ou sous l'emprise de drogues, d'alcool ou de médicaments.** *Un moment d'inattention en cours d'utilisation d'un outil peut entraîner des blessures graves*

des personnes.


- b) **Utiliser un équipement de sécurité. Toujours porter une protection pour les yeux.** *Les équipements de sécurité tels que les masques contre les poussières, les chaussures de sécurité antidérapantes, les casques ou les protections acoustiques utilisés pour les conditions appropriées réduiront les blessures de personnes.*
 - c) **Éviter tout démarrage intempestif. S'assurer que l'interrupteur est en position arrêt avant de brancher l'outil au secteur et/ou au bloc de batteries, de le ramasser ou de le porter.** *Porter les outils en ayant le doigt sur l'interrupteur ou brancher des outils dont l'interrupteur est en position marche est source d'accidents.*
 - d) **Retirer toute clé de réglage avant de mettre l'outil en marche.** *Une clé laissée fixée sur une partie tournante de l'outil peut donner lieu à des blessures de personnes.*
 - e) **Ne pas se précipiter. Garder une position et un équilibre adaptés à tout moment.** *Cela permet un meilleur contrôle de l'outil dans des situations inattendues.*
 - f) **S'habiller de manière adaptée. Ne pas porter de vêtements amples ou de bijoux. Garder les cheveux et les vêtements à distance des parties en mouvement.** *Des vêtements amples, des bijoux ou les cheveux longs peuvent être pris dans des parties en mouvement.*
 - g) **Si des dispositifs sont fournis pour le raccordement d'équipements pour l'extraction et la récupération des poussières, s'assurer qu'ils sont connectés et correctement utilisés.** *Utiliser des collecteurs de poussière peut réduire les risques dus aux poussières.*
 - h) **Ne pas laisser les habitudes acquises au cours d'une utilisation fréquente des outils nous rendre complaisants et ignorer les principes de sécurité de l'outil.** *Une action imprudente peut entraîner des blessures graves en une fraction de seconde.*
- #### 4) Utilisation et entretien de l'outil
- a) **Ne pas forcer l'outil. Utiliser l'outil adapté à votre application.** *L'outil adapté réalisera mieux le travail et de manière plus sûre au régime pour lequel il a été construit.*
 - b) **Ne pas utiliser l'outil si l'interrupteur ne permet pas de passer de l'état de marche à arrêt et vice versa.** *Tout outil qui ne peut pas être commandé par l'interrupteur est dangereux et il faut le réparer.*
 - c) **Débrancher la prise de la source d'alimentation et / ou retirer la batterie, si elle est amovible, de l'outil, avant tout réglage, changement d'accessoires ou avant de ranger l'outil.** *De telles mesures de sécurité préventives réduisent le risque de démarrage accidentel de l'outil.*
 - d) **Conserv**er les outils à l'arrêt hors de la portée des enfants et ne pas permettre à des personnes ne connaissant pas l'outil ou les présentes instructions de le faire fonctionner. *Les outils sont dangereux entre les mains d'utilisateurs novices.*
 - e) **Entretien**er les outils et accessoires électriques. **Vérifier qu'il n'y a pas de mauvais alignement ou de blocage des parties mobiles, des pièces cassées ou toute autre condition pouvant affecter le fonctionnement de l'outil.** **En cas de dommages, faire réparer l'outil avant de l'utiliser.** *De nombreux accidents sont dus à des outils mal entretenus.*
 - f) **Garder affûtés et propres les outils permettant de couper.** *Des outils destinés à couper correctement entretenus avec des pièces coupantes tranchantes sont moins susceptibles de bloquer et sont plus faciles à contrôler.*
 - g) **Utiliser l'outil, les accessoires et les lames etc., conformément à ces instructions, en tenant compte des conditions de travail et du travail à réaliser.** *L'utilisation*

de l'outil pour des opérations différentes de celles prévues pourrait donner lieu à des situations dangereuses.

- h) **Maintenir les poignées et les surfaces de préhension sèches, propres et exemptes d'huile et de graisse.**
Des poignées et surfaces de préhension glissantes ne permettent pas une manipulation et un contrôle de l'outil en toute sécurité en cas d'imprévu.
- 5) **Maintenance et entretien**
- a) **Faire entretenir l'outil par un réparateur qualifié utilisant uniquement des pièces de rechange identiques. Cela assurera le maintien de la sécurité de l'outil.**

MESURES DE SÉCURITÉ POUR TOUT TYPE DE SCIE

PROCÉDURES DE COUPE

- a)  **AVERTISSEMENT: Garder les mains en dehors de la zone de coupe et éloignées de la lame. Garder la seconde main sur la poignée auxiliaire ou sur le boîtier du moteur. Si les deux mains maintiennent la scie, la lame ne pourra pas les atteindre.**
- b) **Ne pas toucher la partie inférieure de la pièce à travailler.**
Le capot protecteur ne peut pas protéger de la lame en dessous de la pièce de bois.
- c) **Ajuster la profondeur de coupe à l'épaisseur de la pièce à usiner. On devrait voir moins d'une dent entière des dents de la lame en-dessous de la pièce à usiner.**
- d) **Ne jamais tenir la pièce que vous coupez entre vos mains ou sur votre jambe. Fixer la pièce à usiner sur une plateforme stable. Il est important de soutenir correctement le travail pour réduire l'exposition du corps, la flexion de la lame ou la perte de contrôle.**
- e) **Tenez l'outil électrique uniquement par les surfaces de prise en main isolantes lorsque vous effectuez une opération où l'accessoire de coupe peut entrer en contact avec des fils cachés ou avec son propre cordon.**
L'accessoire de coupe, s'il entre en contact avec un fil "sous tension", peut mettre les parties métalliques exposées de l'outil "sous tension" et électrocuter l'opérateur.
- f) **Pour le sciage en long, toujours utiliser un guide longitudinal ou une règle à tracer. Cela améliore l'exactitude de la coupe et réduit le risque de flexion de la lame.**
- g) **Toujours utiliser des lames de la bonne taille et la bonne forme (losange contre rond) de trous d'arbre. Les lames qui ne correspondent pas aux pièces de montage de la scie couperont de manière excentrique, entraînant une perte de contrôle.**
- h) **Ne jamais utiliser de rondelle ou d'écrou de lame endommagé ou incorrect. Les rondelles et les écrous de lame ont été conçus spécialement pour votre lame, pour des résultats optimaux et un fonctionnement sécuritaire.**

MESURES DE SÉCURITÉ SUPPLÉMENTAIRES POUR TOUT TYPE DE SCIE

CAUSES ET PRÉVENTION DES EFFETS DE REBOND

- L'effet de rebond est une réaction soudaine d'une lame de scie mal alignée, tordue ou grippée qui dévie la scie de la pièce de bois vers l'utilisateur.
- Lorsque la lame est grippée ou tordue près de l'extrémité de la coupe de scie, la lame se bloque et la réaction du moteur ramène très rapidement l'unité en direction de l'utilisateur.
- Si la lame se tord ou s'aligne mal dans la coupe, la dent de l'extrémité arrière de la lame peut plonger dans la surface supérieure du bois et la lame peut sortir de la coupe de scie pour être projetée vers l'utilisateur.

L'effet de rebond est le résultat d'une mauvaise utilisation de la scie et/ou de procédures ou de conditions d'utilisation incorrectes et peut être évité en suivant les instructions ci-dessous.

- a) **Maintenir fermement la scie avec les deux mains et positionner les bras pour résister aux forces de l'effet de rebond. Positionner le corps de chaque côté de la lame mais non dans le prolongement de celle-ci. L'effet de rebond pourrait faire sauter la scie en arrière mais ces forces peuvent être contrôlées par l'utilisateur si les mesures nécessaires sont prises.**
- b) **Lorsque la lame se grippe ou lorsque la coupe est interrompue pour quelques raisons, relâcher l'interrupteur et maintenir la scie dans la pièce de bois jusqu'à l'arrêt complet de l'outil. Ne jamais essayer de retirer la scie du travail ou de tirer la scie en arrière lorsque la lame est en marche ou un effet de rebond pourrait se produire. Chercher la cause du grippage de la lame et prendre les mesures correctives.**
- c) **Lors du redémarrage de la scie dans la pièce de bois, centrer la scie dans la ligne de coupe et vérifier que les dents de la scie ne sont pas engagées dans la pièce. Si la lame de scie est grippée, elle pourrait sauter hors de la pièce de bois lors du redémarrage de la scie.**
- d) **Supporter les gros panneaux afin de réduire le risque de dérapage ou de retour en arrière de la lame. Les gros panneaux ont tendance à fléchir sous leur propre poids. Les supports doivent être placés sous la planche de chaque côté, près de la ligne de coupe et près du bord de la planche.**
- e) **Ne pas utiliser de lames émoussées ou endommagées. Des lames non aiguisées ou incorrectes produisent des lignes de coupe étroites provoquant un frottement excessif, un grippage de la lame ou un effet de rebond.**
- f) **La profondeur de la lame et les leviers bloqués de réglage du biseau doivent être fixés fermement et en toute sécurité avant d'effectuer la coupe. Si les réglages du biseau dévient pendant la coupe, cela pourrait provoquer le grippage de la lame ou un effet de rebond.**
- g) **Être davantage prudent lors de la scier sur des murs existants ou sur d'autres surfaces cachées. La lame saillante peut couper des objets qui peuvent provoquer un effet de rebond.**

CONSIGNES DE SÉCURITÉ POUR SCIE CIRCULAIRE AVEC PROTECTION INTÉRIEURE DE PENDULE

SYSTÈME DE SÉCURITÉ INFÉRIEUR

- a) **Vérifier que le capot inférieur soit bien fermé avant toute utilisation. Ne pas mettre la scie en marche si le capot inférieur ne bouge pas librement et ne se ferme pas instantanément. Ne jamais mettre ou bloquer le capot inférieur sur la position ouverte. Si la scie tombe accidentellement, le capot inférieur peut se tordre.**
Soulever le capot inférieur avec la poignée rétractable et s'assurer qu'il bouge librement et ne touche pas la lame ni aucune autre partie, dans tous les angles et profondeurs de coupe.
- b) **Vérifier le bon fonctionnement du ressort du capot inférieur. Si le capot protecteur et le ressort ne fonctionnent pas correctement, ils doivent être réparés avant toute utilisation. Le capot inférieur peut fonctionner lentement du fait de parties endommagées, de dépôts gommeux ou d'un amoncellement de débris.**
- c) **Le capot inférieur doit être retiré manuellement uniquement pour des coupes spéciales telles que " les coupes en plongée ". Soulever le capot inférieur en retirant la poignée et dès que la lame pénètre le matériau, le capot inférieur doit être relâché. Pour toutes les autres opérations de sciage, le capot inférieur devrait fonctionner automatiquement.**
- d) **Toujours s'assurer que le capot inférieur recouvre la lame avant de poser la scie sur l'établi ou sur le sol. Une lame à nue, non protégée provoquera un saut en arrière de la scie qui tranchera tout ce qui se trouve sur son passage.**
Prendre en compte le temps nécessaire à la lame pour s'arrêter après que l'interrupteur ait été relâché.

MESURES DE SÉCURITÉ SUPPLÉMENTAIRES POUR SCIE

1. Utiliser uniquement des lames de scie recommandées par le fabricant, conformes à la norme EN 847-1, si elles sont destinées à couper du bois et des matériaux similaires.
2. Ne pas utiliser de roues abrasives.
3. Utilisez uniquement le diamètre de la (des) lame (s) en conformité avec les marquages.
4. Utilisez une lame de scie adaptée au matériel à couper.
5. Utiliser uniquement des lames de scie marquées avec une vitesse égale ou supérieure à la vitesse marquée sur l'outil.

SYMBOLES



Pour réduire le risque de blessure, l'utilisateur doit lire le mode d'emploi.



AVERTISSEMENT



Porter une protection pour les yeux



Porter une protection pour les oreilles



Porter un masque contre la poussière



Portez des gants de protection



Classe de protection



Les déchets d'équipements électriques et électroniques ne doivent pas être déposés avec les ordures ménagères. Ils doivent être collectés pour être recyclés dans des centres spécialisés. Consultez les autorités locales ou votre revendeur pour obtenir des renseignements sur l'organisation de la collecte.



Verrouiller



Déverrouiller

LISTE DES COMPOSANTS

1. POIGNÉE AVANT
2. BOÎTIER DU MOTEUR
3. ÉCHELLE D'ANGLE DE LA PLAQUE DE BASE
4. VERROU DE BISEAU DE PLAQUE DE BASE
5. GUIDE PARALLÈLE
6. BOUTON DE VERROUILLAGE DE GUIDE PARALLÈLE
7. ENCOCHE DE GUIDE DE COUPE
8. PROTECTEUR DE LAME INFÉRIEURE
9. PLAQUE DE BASE
10. BRIDE EXTÉRIEURE
11. BOULON DE LAME
12. LAME DE SCIE
13. LEVIER DE PROTECTEUR INFÉRIEUR
14. ADAPTATEUR À VIDE
15. PROTECTION FIXE
16. INTERRUPTEUR MARCHE/ARRÊT DE SÉCURITÉ
17. BOUTON DE VERROUILLAGE
18. LEVIER DE RÉGLAGE DE PROFONDEUR DE COUPE
19. CLÉ HEXAGONALE
20. BOUTON DE VERROUILLAGE DE LA BROCHE

Tous les accessoires illustrés ou décrits ne sont pas inclus dans la livraison standard.

DONNÉES TECHNIQUES

Type DX59 (59 - désignation de la machine, représentative de la scie circulaire)

Tension nominale	220-240V~50/60Hz	
Puissance nominale	1400W	
vitesse sans chargement	5800/min	
Classe de protection	□/II	
Diamètre de la lame	185mm	
Alésage de la lame	16mm	
Capacité de coupe		
	90°	65mm
	45°	45mm
Capacité de biseau		0-45°
Poids de la machine		4.06kg

INFORMATIONS RELATIVES AU BRUIT

Niveau de pression acoustique pondéré A	L_{pA} : 89.9 dB (A)
Niveau de puissance acoustique pondéré A	L_{wA} : 100.9 dB (A)
K_{pA} & K_{wA}	3.0 dB (A)
Porter une protection pour les oreilles.	

INFORMATIONS RELATIVE AUX VIBRATIONS

Valeurs totales de vibrations déterminées selon la norme EN 62841:	
Valeur d'émission de vibrations	Découpe du bois: $a_{h,W} = 1.62 \text{ m/s}^2$ (Poignée principale)
	Découpe du bois: $a_{h,W} = 3.32 \text{ m/s}^2$ (Poignée auxiliaire)
	Incertitude $K = 1.5 \text{ m/s}^2$

La valeur totale de vibration déclarée et la valeur d'émission de bruit déclarée ont été mesurées conformément à la méthode d'essai standard et peuvent être utilisées pour comparer un outil à un autre.

La valeur totale de vibration déclarée et la valeur d'émission de bruit déclarée peuvent également être utilisées lors d'une évaluation préliminaire de l'exposition.



AVERTISSEMENT: les vibrations et les émissions de bruit au cours de l'utilisation réelle de l'outil électrique peuvent varier de la valeur déclarée en fonction du mode d'utilisation de l'outil, en particulier du type de pièce traité selon les exemples suivants et d'autres variations concernant le mode d'utilisation de l'outil:

Comment l'outil est utilisé et quels matériaux sont coupés ou percés.

L'outil est en bon état et bien entretenu.

L'utilisation du bon accessoire pour l'outil et l'assurance qu'il est affûté et en bon état.

La force avec laquelle vous serrez les poignées et l'utilisation éventuelle d'un quelconque accessoire anti-bruit et anti-vibration.

Et l'outil est utilisé comme prévu dans sa conception et dans les présentes instructions.

Cet outil peut causer un syndrome de vibration du bras et de la main s'il n'est pas correctement géré.



AVERTISSEMENT: Pour être précise, une évaluation du niveau d'exposition en conditions réelles d'utilisation doit également tenir compte de toutes les parties du cycle d'utilisation telles que les moments où l'outil est éteint, et ceux où il fonctionne au ralenti mais ne réalise pas réellement de tâche. Ceci peut réduire de façon significative le niveau d'exposition et la période de fonctionnement totale. Facteurs contribuant à minimiser votre risque d'exposition aux vibrations et au bruit.

Utilisez toujours des ciseaux, des forets et des lames affûtés.

Entretenez cet outil en accord avec les présentes instructions et maintenez-le lubrifié (si approprié).

Si l'outil doit être fréquemment utilisé, investissez dans des accessoires anti-bruit et anti-vibration.

Planifiez votre travail pour étaler toute utilisation d'outil à fortes vibrations sur plusieurs jours.

ACCESSOIRES

Adaptateur à vide	1
Clé hexagonale	1
Guide parallèle	1
Lame De Scie	1

Nous recommandons d'acheter tous les accessoires dans le magasin d'acquisition de l'outil. Pour plus d'informations, se référer à l'emballage des accessoires. Le personnel du magasin est également là pour vous conseiller.

MODE D'EMPLOI



REMARQUE : Avant d'utiliser l'outil, lisez attentivement le manuel d'utilisation.


INTENDED USE

La machine est destinée à la coupe longitudinale et transversale de bois avec des lignes de coupe droites ainsi que des angles de biseau à 45 ° tout en reposant fermement sur la pièce à travailler.

ASSEMBLAGE

1. MONTAGE ET RETRAIT DE LA LAME DE SCIE (VOIR FIG. A1,A2,A3)

Appuyez sur le bouton de verrouillage de la broche et utilisez la clé hexagonale pour desserrer et retirer le boulon de lame (11). Retirez la bride extérieure (10). Faites tourner la protection de lame inférieure dans le sens des aiguilles d'une montre en poussant le levier de protection pour retirer l'ancienne lame (12). Montez une lame de rechange. Assurez-vous que l'alésage de la lame est situé sur la bride intérieure (a) et que la flèche de direction de la lame pointe dans le même sens que la flèche de la protection fixe. Placez la bride extérieure, le boulon de la lame sur l'alésage de la lame. Appuyez à nouveau sur le verrouillage de la broche et utilisez la clé hexagonale pour serrer le boulon de 1/4 de tour de plus que le vissage à la main. Vérifiez si la lame est bien fixée.

 **AVERTISSEMENT: Les dents de la lame sont très coupantes.** Pour de meilleurs résultats de coupe, assurez-vous d'utiliser une lame de scie adaptée au matériau et à la qualité de coupe dont vous avez besoin.

2. RÉGLER LA PROFONDEUR DE COUPE (VOIR FIG. B)

Desserrez le bouton de verrouillage de la profondeur de coupe et éloignez le corps de la scie de la plaque de base. Réglez la profondeur de coupe avec l'échelle et serrez le bouton de verrouillage de la profondeur de coupe pour verrouiller. Ajoutez toujours 3 mm à votre profondeur de coupe pour que la lame puisse couper à travers le matériau.

3. RÉGLAGE DE L'ANGLE DE LA PLAQUE DE BASE (VOIR FIG. C1,C2)

Soulevez le verrou de biseau de la plaque de base dans le sens inverse des aiguilles d'une montre pour desserrer l'échelle angulaire. Inclinez la plaque de base loin de la machine jusqu'à ce que l'angle de coupe requis soit ajusté sur l'échelle angulaire. Verrouillez le verrou de biseau en appuyant dessus. N'utilisez pas la profondeur de l'échelle de coupe lorsque vous effectuez des coupes de biseau en raison d'une inexactitude possible.

4. PORT D'EXTRACTION DE POUSSIÈRE (VOIR FIG. D)

Fixez l'adaptateur d'aspirateur sur la sortie d'aspiration des poussières dans le sens horaire jusqu'à ce qu'il s'enclenche. Fixez en outre l'adaptateur à vide à la protection fixe à l'aide des deux vis. Raccordez directement un tuyau à vide approprié à l'adaptateur.

Nettoyez régulièrement l'adaptateur d'aspirateur pour assurer une aspiration optimale de la poussière. L'aspirateur doit être adapté au matériau à travailler.

5. RÉGLAGE DU GUIDE PARALLÈLE (VOIR FIG. E)

Il est utilisé pour effectuer des coupes parallèles à un bord de pièce à une distance choisie. Faites glisser le bras de guidage parallèle à travers le support pour obtenir la distance de coupe requise, puis serrez le bouton de verrouillage. Pour les coupes droites, utilisez le repère de guidage 0 ° pour vous aligner avec votre échelle de guidage parallèle. Pour une coupe en biseau à

45 °, utilisez la marque de guidage à 45 ° pour vous aligner avec votre échelle de guidage parallèle. Serrez fermement le guide parallèle.

REMARQUE: Il est préférable d'effectuer une coupe de test

OPÉRATION

1. ZONE DE PRÉHENSION (VOIR FIG. F)

Tenez toujours votre scie fermement avec les deux mains lorsque vous l'utilisez.

2. MISE EN MARCHÉ OU ARRÊT (VOIR FIG. G)

Votre interrupteur est verrouillé pour éviter tout démarrage accidentel. Appuyez sur le bouton de verrouillage, puis sur l'interrupteur marche / arrêt et relâchez le bouton de verrouillage. Votre interrupteur est maintenant activé. Pour éteindre, relâchez simplement l'interrupteur marche / arrêt. La lame peut continuer à tourner après l'arrêt. Attention ! Attendez que la machine s'arrête complètement avant de procéder au repos.

CONSEILS DE TRAVAIL POUR VOTRE SCIE CIRCULAIRE

Si votre outil électrique surchauffe, réglez la vitesse au maximum et faites fonctionner sans aucune charge pendant 2-3 minutes pour refroidir le moteur. Évitez une utilisation prolongée à très faible vitesse.

Utilisez toujours une lame adaptée au matériau et à l'épaisseur du matériau à couper. Assurez-vous toujours que la pièce à travailler est fermement maintenue ou serrée pour empêcher tout mouvement.

Pour un contrôle plus facile, utilisez la vitesse lente pour commencer la coupe, puis augmentez pour atteindre la vitesse correcte.

Tout mouvement du matériau peut affecter la qualité de la coupe. La lame coupe sur la course ascendante et peut ébrécher la surface ou la face supérieure de la pièce. Assurez-vous que votre surface supérieure est une surface non visible lorsque votre travail est terminé. Une avancée trop rapide réduit considérablement les performances de la machine et raccourcit la durée de vie de la lame de scie. Toujours faire face au bon côté de la pièce à usiner, pour assurer un minimum d'éclats. Utilisez uniquement des lames de scie tranchantes du type correct.

ENTRETIEN

Retirez la fiche de la prise avant de procéder à un réglage, une réparation ou un entretien.

L'outil motorisé ne requiert pas de graissage ou d'entretien supplémentaire. Il n'y a pas de pièces réparables par l'utilisateur dans cet outil. Ne jamais utiliser d'eau ou de nettoyants chimiques pour nettoyer l'outil. Nettoyer avec un chiffon sec. Toujours conserver l'outil motorisé dans un endroit sec. Maintenir les fentes de ventilation du moteur propres. Empêcher que les commandes de marche soient couvertes de sciure. Il est normal que des étincelles soient visibles dans les fentes de ventilation, cela n'endommagera pas l'outil motorisé.

Si l'alimentation est endommagée, elle doit être remplacée par le fabricant, son agent de maintenance ou une personne qualifiée de façon similaire, afin d'éviter tout danger.

PROTECTION DE L'ENVIRONNEMENT



Les déchets d'équipements électriques et électroniques ne doivent pas être déposés avec les ordures ménagères. Ils doivent être collectés pour être recyclés dans des centres spécialisés. Consultez les autorités locales ou votre revendeur pour obtenir des renseignements sur l'organisation de la collecte.

DÉCLARATION DE CONFORMITÉ

Nous,
POSITEC Germany GmbH
Postfach 32 02 16, 50796 Cologne, Germany

Déclarons ce produit,
Description: **Scie circulaire**
Modèle **DX59 (59 - désignation d'outil, type scie circulaire)**
Fonctions **Découpe de divers matériaux avec une lame dentée rotative**

Est conforme aux directives suivantes:
2006/42/EC, 2014/30/EU, 2011/65/EU&(EU)2015/863

Et conforme aux normes:
EN 62841-1
EN 62841-2-5
EN 55014-1
EN 55014-2
EN IEC 61000-3-2
EN 61000-3-3

La personne autorisée à compiler le dossier technique,
Nom: Marcel Filz
Adresse: POSITEC Germany GmbH
Postfach 32 02 16, 50796 Cologne, Germany



2021/05/20
Allen Ding
Ingénieur en chef adjoint, Essais & Certification
Positec Technology (China) Co., Ltd
18, Dongwang Road, Suzhou Industrial
Park, Jiangsu 215123, P. R. China

ISTRUZIONI ORIGINALI

SICUREZZA DEL PRODOTTO

AVVISI GENERALI PER LA SICUREZZA DEGLI UTENSILI A MOTORE



AVVERTENZA: Leggere tutte le avvertenze di sicurezza, le istruzioni, le illustrazioni e le specifiche fornite con questo elettroutensile. La mancata osservanza delle istruzioni elencate di seguito potrebbe provocare una scossa elettrica, un incendio e/o lesioni gravi.

Conservare tutti gli avvisi e le istruzioni per poterli consultare quando necessario.

Il termine «*elettroutensile elettrico*» utilizzato di seguito in questo manuale si riferisce a utensili elettrici alimentati dalla rete (con linea di allacciamento), oltre che ad utensili elettrici alimentati a batteria (senza linea di allacciamento).

1) Posto di lavoro

- a) **Mantenere pulito e ordinato il posto di lavoro.** *Il disordine e le zone di lavoro non illuminate possono essere fonte di incidenti.*
- b) **Evitare d'impiegare l'utensile in ambienti soggetti al rischio di esplosioni nei quali siano presenti liquidi, gas o polveri infiammabili.** *Gli utensili elettrici producono scintille che possono incendiare polveri e gas.*
- c) **Mantenere lontani i bambini e altre persone durante l'impiego dell'utensile elettrico.** *Eventuali distrazioni potranno comportare la perdita di controllo sull'utensile.*

2) Sicurezza elettrica

- a) **La spina elettrica dovrà essere adatta alla presa di corrente.** *Evitare assolutamente di apportare modifiche alla spina. Non impiegare spine adattatrici assieme a utensili con collegamento a terra. Le spine non modificate e le prese adatte allo scopo riducono il rischio di scosse elettriche.*
- b) **Evitare il contatto fisico con superfici collegate a terra, come tubi, apparecchiature per il riscaldamento, cucine elettriche e frigoriferi.** *Nel momento in cui il corpo è messo a massa sussiste un maggior rischio di scosse elettriche.*
- c) **Custodire l'utensile al riparo dalla pioggia o dall'umidità.** *L'eventuale infiltrazione di acqua in un elettroutensile comporta un aumento del rischio d'insorgenza di scosse elettriche.*
- d) **Non usare il cavo di alimentazione per scopi diversi da quelli previsti, al fine di trasportare o appendere l'elettroutensile, oppure per staccare la spina dalla presa di corrente.** *Mantenere l'elettroutensile al riparo da fonti di calore, olio, spigoli o parti di strumenti in movimento. I cavi danneggiati o aggrovigliati aumentano il rischio d'insorgenza di scosse elettriche.*
- e) **Qualora si voglia usare l'utensile all'aperto, impiegare solo ed esclusivamente cavi di prolunga omologati per l'impiego all'esterno.** *L'uso di un cavo di prolunga omologato per l'impiego all'esterno riduce il rischio d'insorgenza di scosse elettriche.*
- f) **Se si deve utilizzare l'elettroutensile in un luogo umido, utilizzare una fonte di alimentazione dotata di interruttore differenziale.** *L'uso di un interruttore differenziale riduce il rischio di folgorazioni elettriche.*

3) Sicurezza delle persone


- a) **È importante concentrarsi su ciò che si sta facendo e maneggiare con giudizio l'elettroutensile mentre si lavora.** *Non utilizzare l'elettroutensile quando si è stanchi o sotto l'effetto di alcol, stupefacenti e medicinali. Un attimo di distrazione durante l'uso dell'elettroutensile potrebbe causare lesioni gravi.*
 - b) **Indossare sempre dispositivi di protezione individuale, e guanti protettivi.** *Se si avrà cura d'indossare equipaggiamento protettivo individuale come una maschera antipolvere, calzature antiscivolo di sicurezza, elmetto o dispositivi di protezione acustica, a seconda dell'impiego previsto per l'elettroutensile, si potrà ridurre il rischio di lesioni.*
 - c) **Evitare l'avviamento involontario.** *Controllare che l'interruttore sia nella posizione di spegnimento (off) prima di effettuare il collegamento a una fonte di alimentazione/batteria e prima di sollevare o trasportare l'elettroutensile. Il fatto di tenere il dito sopra all'interruttore o di collegare l'utensile acceso all'alimentazione di corrente potrebbe essere causa di incidenti.*
 - d) **Togliere gli attrezzi di regolazione o la chiave inglese prima di accendere l'elettroutensile.** *Un attrezzo o una chiave inglese che si trovino in una parte della macchina che sta girando può causare lesioni a persone.*
 - e) **È importante non sovrappalutarsi.** *Avere cura di mettersi in una posizione sicura e di mantenere l'equilibrio. In tal modo sarà possibile controllare meglio la macchina in situazioni inaspettate.*
 - f) **Indossare indumenti adeguati.** *Evitare di indossare vestiti lenti o gioielli. Tenere i capelli e gli indumenti lontani dalle parti mobili. Vestiti lenti, gioielli o capelli lunghi potrebbero impigliarsi in parti in movimento.*
 - g) **Se sussiste la possibilità di montare dispositivi di aspirazione o di captazione della polvere, assicurarsi che gli stessi siano stati installati correttamente e vengano utilizzati senza errori.** *L'impiego dei suddetti dispositivi diminuisce il pericolo rappresentato dalla polvere.*
 - h) **Non lasciare che la familiarità acquisita con l'utilizzo frequente dell'elettroutensile si trasformi in autocompiacimento e trascuratezza dei principi di sicurezza.** *Un'azione imprudente può causare lesioni gravi entro una frazione di secondo.*
- 4) **Maneggio e impiego accurato di elettroutensili**
 - a) **Non sovraccaricare l'elettroutensile.** *Impiegare l'elettroutensile adatto per eseguire il lavoro. Utilizzando l'elettroutensile elettrico adatto si potrà lavorare meglio e con maggior sicurezza nell'ambito della gamma di potenza indicata.*
 - b) **Non utilizzare elettroutensili con interruttori difettosi.** *Un elettroutensile che non si può più accendere o spegnere è pericoloso e dovrà essere riparato.*
 - c) **Staccare la spina dalla presa di corrente e/o rimuovere la batteria, se rimovibile, dall'elettroutensile prima di effettuare qualsiasi regolazione, sostituire gli accessori o riporre gli utensili elettrici.** *Tale precauzione eviterà che la macchina possa essere messa in funzione inavvertitamente.*
 - d) **Custodire gli elettroutensili non utilizzati fuori della portata dei bambini.** *Non fare usare l'apparecchio a persone non abituate a farlo o che non abbiano letto le presenti istruzioni. Gli elettroutensili sono pericolosi se utilizzati da persone inesperte.*
 - e) **Eseguire la manutenzione di elettroutensile e accessori.** *Verificare che le parti mobili*

dell'elettrotensile funzionino perfettamente e non s'inceppino, che non ci siano pezzi rotti o danneggiati al punto tale da limitare la funzione della macchina stessa. Far riparare le parti danneggiate prima di utilizzare l'elettrotensile. Numerosi incidenti vengono causati da elettrotensili la cui manutenzione è stata effettuata in modo poco accurato.

- f) **Mantenere affilati e puliti gli utensili da taglio.** Gli utensili da taglio curati con particolare attenzione e con taglienti affilati s'inceppano meno di frequente e sono più facili da condurre.
 - g) **Utilizzare elettrotensili, accessori, attrezzi, ecc. in conformità con le presenti istruzioni e secondo quanto previsto per questo tipo specifico di macchina.** Osservare le condizioni di lavoro e il lavoro da eseguire durante l'impiego. L'impiego di elettrotensili per usi diversi da quelli consentiti potrà dar luogo a situazioni di pericolo.
 - h) **Mantenere le impugnature e le superfici di presa asciutte, pulite e prive di olio e grasso.** Le impugnature e le superfici di presa scivolose non permettono l'uso e il controllo sicuri dell'elettrotensile in situazioni impreviste.
- 5) **Assistenza**
- a) **Fare riparare l'apparecchio esclusivamente da personale specializzato e solo impiegando pezzi di ricambio originali.** In tal modo potrà essere salvaguardata la sicurezza dell'apparecchio.

ISTRUZIONI DI SICUREZZA PER TUTTE LE SEGHE PROCEDURE DI TAGLIO

PROCEDURE DI TAGLIO

- a)  **ATTENZIONE** Tenere le mani lontane dalla zona di taglio e dalla lama. Tenere una mano sull'impugnatura principale e l'altra mano sull'impugnatura ausiliaria, oppure sull'alloggio del motore. Se entrambe le mani tengono la sega, non possono essere tagliate dalla lama.
- b) **Non toccare la parte inferiore del pezzo in lavorazione.** La protezione non può proteggere dalla lama sulla parte inferiore del pezzo in lavorazione.
- c) **Regolare la profondità di taglio a seconda dello spessore del pezzo in lavorazione.** Sulla parte inferiore del pezzo in lavorazione deve essere visibile meno della metà del dente della lama.
- d) **Non tenere mai in mano o appoggiato alle gambe il pezzo in lavorazione.** Fissare il pezzo in lavorazione a una piattaforma stabile. È importante fissare il pezzo da lavorare in modo appropriato per ridurre al minimo i contatti con il corpo, inceppamenti della lama e perdite di controllo dell'elettrotensile.
- e) **Tenere l'utensile solo dalle apposite superfici, in particolare durante l'esecuzione di operazioni nelle quali l'accessorio di taglio può venire a contatto con cavi nascosti o con il cavo di alimentazione della sega stessa.** L'accessorio di taglio potrebbe venire a contatto con un cavo sotto tensione e la corrente potrebbe passare attraverso le parti metalliche dell'utensile ed esporre l'operatore al rischio di folgorazione.
- f) **Quando si eseguono tagli longitudinali, usare una guida di taglio oppure una guida di scorrimento rettilinea.** In questo modo si migliora l'accuratezza del taglio e si riducono le possibilità d'inceppamento della lama.

- g) **Usare sempre lame di dimensioni e forma corrette (romboidale piuttosto che tonda) rispetto ai fori per l'albero della sega circolare.** Le lame che non corrispondono al sistema di montaggio della sega, funzioneranno in modo anomalo e provocheranno la perdita di controllo.
- h) **Non usare mai rondelle o bulloni delle lame che siano danneggiati o inappropriati.** Le rondelle e i bulloni delle lame sono concepiti specificamente per la sega, per fornire prestazioni ottimali e sicurezza operativa.

ALTRE ISTRUZIONI DI SICUREZZA PER TUTTE LE SEGHE

CAUSE DEI CONTRACCOLPI E ISTRUZIONI PER PREVENIRLI

- I contraccolpi sono reazioni immediate all'incestro, inceppamento o mancato allineamento delle lame che provocano il sollevamento e l'allontanamento incontrollato dell'utensile dal pezzo in lavorazione verso l'operatore.
- Quando la lama è incastrata o inceppata saldamente nel solco del taglio, la lama va in stallo e la reazione del motore porta la sega rapidamente verso l'operatore.
- Se la lama si deforma o perde l'allineamento con il taglio, i denti della parte posteriore possono scavare la superficie del legno provocando la fuoriuscita della lama dal solco facendo saltare la sega verso l'operatore.

I contraccolpi sono il risultato di un abuso della sega e/o di procedure o condizioni operative scorrette che possono essere evitate adottando le precauzioni appropriate riportate di seguito.

- a) **Mantenere una presa salda con entrambe le mani sulla sega e posizionare le braccia in modo da resistere alla forza del contraccolpo.** Tenersi con il corpo a latodella lama, non in linea con la stessa. Un contraccolpo può provocare rimbalzi della sega, ma la forza del contraccolpo può essere controllata dall'operatore se sono prese le precauzioni appropriate.
- b) **Quando la lama è inceppata, oppure quando si interrompe il taglio per qualsiasi motivo, rilasciare il grilletto e tenere ferma la sega sul materiale finché la lama si è fermata completamente.** Non tentare mai di rimuovere la sega dal pezzo in lavorazione, oppure di estrarre la sega mentre la lama è in movimento, altrimenti si verificherebbe il contraccolpo. Trovare e risolvere la causa dell'inceppamento della lama.
- c) **Quando si riavvia la macchina sul pezzo in lavorazione, centrare la sega nel solco del taglio e verificare che i denti non siano impegnati nel materiale.** Se la lama è inceppata, potrebbe scattare in avanti o rimbalzare dal pezzo in lavorazione appena viene riavviata la sega.
- d) **Fissare i pannelli di grandi dimensioni per ridurre al minimo il rischio di inceppamenti della lama e di contraccolpi.** I pannelli di grandi dimensioni tendono a collassare sotto il loro stesso peso. Devono essere collocati dei supporti sotto entrambi i lati dei pannelli, vicini alla linea di taglio e sui lati del pannello.
- e) **Non usare lame spuntate o danneggiate.** Lame spuntate o installate in modo inappropriato, producono solchi ridotti che causano una eccessiva frizione, l'inceppamento della lama ed il contraccolpo.
- f) **Prima di eseguire il taglio, le leve di blocco della profondità di taglio e del taglio a bisello devono essere strette e bloccate.** Se la regolazione della lama si sposta durante il taglio, si verifica un inceppamento della lama e il contraccolpo.

- g) Usare particolare attenzione quando si eseguono tagli su pareti o altre zone cieche. La lama potrebbe tagliare oggetti che provocano contraccolpi.

ISTRUZIONI DI SICUREZZA PER SEGA CIRCOLARE CON PROTEZIONE INTERNA DEL PENDOLO

FUNZIONE DI PROTEZIONE INFERIORE

- a) Prima di ogni uso verificare che la protezione inferiore si chiuda in modo appropriato. Non usare la sega se la protezione inferiore non si muove liberamente e non si chiude istantaneamente. Non fissare né legare mai la protezione inferiore in posizione di apertura. Se la sega viene fatta cadere accidentalmente, la protezione inferiore può deformarsi. Sollevare la protezione inferiore con l'impugnatura retrattile e assicurarsi che si muova liberamente e non tocchi la lama o altre parti, in tutte le angolazioni e profondità di taglio.
- b) Controllare il funzionamento della molla della protezione inferiore. Se la protezione e la molla non funzionano in modo appropriato, devono essere riparate prima dell'uso. La protezione inferiore può funzionare in modo rallentato a causa di parti danneggiate, depositi gommosi o un accumulo di sporcizia.
- c) La protezione inferiore deve essere aperta manualmente solamente per tagli speciali come i "tagli ad affondo" ed i "tagli complessi". Sollevare la protezione inferiore usando l'impugnatura retrattile che deve essere abbassata quando la lama affonda nel materiale. Per tutti gli altri tagli, la protezione inferiore deve sempre funzionare automaticamente.
- d) Accertarsi sempre che la protezione inferiore copra la lama prima di appoggiare la sega su mobili o sul pavimento. Questo eviterà di danneggiare i mobili o il pavimento. Prestare attenzione al tempo che impiega la lama per fermarsi dopo avere rilasciato l'interruttore.

ALTRE ISTRUZIONI DI SICUREZZA PER LA SEGA CIRCOLARE

1. Utilizzare esclusivamente lame raccomandate dal produttore, conformi alla norma EN 847-1, se intese per tagliare il legno e materiali analoghi.
2. Non usare alcun tipo di disco abrasivo.
3. Usare esclusivamente lame con diametro conforme a quello contrassegnato.
4. Identificare la lama corretta per il materiale da tagliare.
5. Utilizzare esclusivamente lame sulle quali è marcata una velocità uguale o maggiore alla velocità marcata sulla sega.

SIMBOLI



Per ridurre il rischio di lesioni, l'utente deve leggere il manuale di istruzioni



AVVERTENZA



Indossare protezione per gli occhi



Indossare protezione per le orecchie



Indossare una mascherina antipolvere



Indossare guanti protettivi



Doppio Isolamento



I prodotti elettrici non possono essere gettati tra i rifiuti domestici. L'apparecchio da rottamare deve essere portato al centro di riciclaggio per un corretto trattamento. Controllare con le autorità locali o con il rivenditore per localizzare il centro di riciclaggio più vicino.



Blocco



Sblocca

ELENCO DEI COMPONENTI

1. MANIGLIA ANTERIORE
2. ALLOGGIAMENTO DEL MOTORE
3. SCALA ANGOLARE PIASTRA DI BASE
4. BLOCCO BISELLATO DELLA PIASTRA DI BASE
5. GUIDA PARALLELA
6. MANOPOLA DI BLOCCO DI GUIDA PARALLELA
7. TACCA GUIDA DI TAGLIO
8. PROTEZIONE DELLA LAMA INFERIORE
9. PIASTRA DI BASE
10. FLANGIA ESTERNA
11. BULLONE DELLA LAMA
12. SEGA A LAMA
13. LEVA DI PROTEZIONE INFERIORE
14. ADATTATORE PER VUOTO
15. PROTEZIONE FISSA
16. INTERRUTTORE DI SICUREZZA ACCENSIONE/SPEGNIMENTO
17. PULSANTE DI BLOCCO
18. LEVA DI REGOLAZIONE DELLA PROFONDITÀ DI TAGLIO
19. CHIAVE ESAGONALE
20. PULSANTE DI BLOCCO MANDRINO

Non tutti gli accessori illustrati o descritti sono inclusi nella consegna standard.

IT

DATI TECNICI

Tipo DX59 (59 - designazione del macchinario, rappresentante della sega circolare)

Tensione nominale	220-240V~50/60Hz
Potenza nominale	1400W
Velocità a vuoto	5800/min
Classe di protezione	□/II
Dimensioni lama	185mm
Foro lama	16mm
Capacità di taglio	
	90° 65mm
	45° 45mm
Capacità di smusso	0-45°
Peso della macchina	4.06kg

INFORMAZIONI SUL RUMORE

Pressione sonora ponderata A	L_{pA} : 89.9 dB (A)
Potenza sonora ponderata A	L_{wA} : 100.9 dB (A)
K_{pA} & K_{wA}	3.0 dB (A)
Indossare protezione per le orecchie.	

INFORMAZIONI SULLA VIBRAZIONE

I valori totali di vibrazione sono determinati secondo lo standard EN62841:	
Valore emissione vibrazioni:	Taglio del legno: $a_{h,W} = 1.62 \text{ m/s}^2$ (Maniglia principale)
	Taglio del legno: $a_{h,W} = 3.32 \text{ m/s}^2$ (Maniglia ausiliaria)
	Incertezza $K = 1.5 \text{ m/s}^2$

Il valore totale di emissione di vibrazioni dichiarato e il valore di emissioni sonore dichiarati sono stati misurati in base a un metodo di collaudo standard e possono essere utilizzati per il confronto di un utensile con un altro.

Il valore totale di emissione di vibrazioni dichiarato e il valore di emissioni sonore dichiarato possono anche essere utilizzati in una valutazione preliminare dell'esposizione.

AVVERTENZA: le emissioni di vibrazioni e sonore durante l'uso effettivo dell'elettrotensile possono differire dal valore dichiarato in base alle modalità con cui esso viene utilizzato. In particolare quale tipo di pezzo viene lavorato dipende dai seguenti fattori e da altre variazioni sulle modalità di utilizzo dell'elettrotensile:

Come viene usato l'elettrotensile e quali sono i materiali tagliati o forati.

Le condizioni e la buona manutenzione dell'elettrotensile.

L'uso dell'accessorio corretto per il taglio e la sua affilatura, nonché le sue buone condizioni.

La tenuta della presa sulle impugnature e se vengono utilizzati eventuali accessori antivibrazioni e anturumore.

L'adeguatezza dell'utilizzo dell'elettrotensile rispetto a quanto previsto.

Questo elettrotensile potrebbe causare l'insorgenza della sindrome della vibrazione dell'avambraccio se il suo utilizzo non viene gestito correttamente.

AVVERTENZA: per essere precisi, una stima del livello di esposizione nelle attuali condizioni di utilizzo dovrebbe anche tenere conto di tutte le parti del ciclo operativo, come le volte in cui lo strumento viene spento e il tempo in cui viene lasciato girare a vuoto senza realmente fare il suo lavoro. Questo potrebbe ridurre significativamente il livello di esposizione sul periodo di lavoro totale.

Aiuto a minimizzare il rischio di esposizione alle vibrazioni e al rumore.

Usare sempre scalpelli, trapani e lame affilati.

Conservare questo elettrotensile sempre in conformità a queste istruzioni e mantenerlo ben lubrificato (dove appropriato).

Se l'utensile deve essere utilizzato regolarmente, investire in accessori antivibrazioni e antirumore.

Pianificare il lavoro in modo da suddividere i lavori che implicano le maggiori vibrazioni nell'arco di più giorni.

ACCESSORI

Adattatore sottovuoto	1
Chiave esagonale	1
Guida parallela	1
Lama	1

Si raccomanda di acquistare tutti gli accessori nello stesso negozio in cui è stato acquistato l'attrezzo. Fare riferimento alla confezione dell'accessorio per altri dettagli. Il personale del negozio può aiutarvi e consigliarvi.

ISTRUZIONI PER L'USO



NOTA: Leggere attentamente il manuale di istruzioni prima di utilizzare l'utensile.

USO PREVISTO

La macchina viene utilizzata per il taglio longitudinale e trasversale con linee di taglio diritte e legno con un angolo di inclinazione di 45°, posizionandolo saldamente sul pezzo.

MONTAGGIO

1. MONTAGGIO E RIMOZIONE DELLA LAMA DELLA SEGA (VEDI FIG. A1,A2,A3)

Premere il pulsante di blocco del mandrino e utilizzare la chiave esagonale per allentare e rimuovere il bullone della lama (11). Rimuovere la flangia esterna (10). Ruotare la protezione della lama inferiore in senso orario spingendo la leva della protezione per estrarre la vecchia lama (12). Montare una lama sostitutiva. Assicurarsi che il foro della lama si trovi sulla flangia interna (a) e che la freccia di direzione della lama punti nella stessa direzione della freccia presente sulla protezione fissa. Posizionare la flangia esterna, il bullone della lama sul foro della lama. Premere di nuovo il blocco del mandrino e utilizzare la chiave esagonale per serrare il bullone con 1/4 di giro in più rispetto a quanto serrato con le dita. Controllare se la lama è fissata saldamente.



ATTENZIONE: I denti della lama sono molto affilati. Per ottenere i migliori risultati di taglio, assicurarsi di utilizzare una lama per sega adatta al materiale e alla qualità di taglio necessari.

2. REGOLARE LA PROFONDITÀ DI TAGLIO (VEDI FIG. B)

Allentare la manopola di blocco della profondità di taglio, quindi sollevare il corpo della sega dalla piastra inferiore. Utilizzare la scala per impostare la profondità di taglio, quindi serrare la manopola di bloccaggio della profondità di taglio per bloccare. Aumentare sempre la profondità di taglio di 3 mm in modo che la lama possa penetrare nel materiale.

3. REGOLAZIONE DELL'ANGOLO DELLA PIASTRA DI BASE (VEDI FIG. C1,C2)

Sollevare il blocco dello smusso della piastra di base e in senso antiorario per rilasciare la scala dell'angolo. Inclinare la piastra di base lontano dalla macchina fino a quando l'angolo di taglio desiderato viene regolato sulla scala dell'angolo. Premere il blocco conico per bloccare il blocco conico. A causa della possibile imprecisione, non utilizzare la profondità di taglio quando si tagliano gli angoli.

4. USCITA DELLA POLVERE (VEDI FIG. D)

Fissare l'adattatore per vuoto all'uscita della polvere in senso orario finché non si blocca. Utilizzare anche due viti per fissare l'adattatore per vuoto sullo schermo fisso, quindi collegare il tubo del vuoto appropriato direttamente all'adattatore.

Pulire regolarmente l'adattatore per vuoto per garantire il miglior effetto di rimozione della polvere. L'aspirapolvere deve essere adatto al materiale da operare.

5. REGOLAZIONE DELLA GUIDA PARALLELA (VEDI FIG. E)

Viene utilizzato per tagliare parallelamente al bordo del pezzo a una distanza selezionata. Far scorrere il braccio di guida parallela attraverso l'attrezzatura per raggiungere la distanza di taglio richiesta, quindi serrare la manopola di bloccaggio per bloccare. Per il taglio dritto, utilizzare il segno guida a 0° per allinearli con la scala guida parallela. Per il taglio inclinato a 45°, utilizzare il segno guida a 45° per allinearli con la scala guida parallela. Bloccare saldamente la guida parallela.

NOTA: È meglio eseguire un taglio di prova.

FUNZIONAMENTO

1. POSIZIONE DELLA MANOPOLA (VEDI FIG. F)

Durante il funzionamento, tenere sempre saldamente la sega con entrambe le mani.

2. ACCENSIONE E SPEGNIMENTO (VEDI FIG. G)

L'interruttore è bloccato per evitare l'attivazione accidentale. Premere il pulsante di blocco, quindi premere l'interruttore acceso / spento, quindi rilasciare il pulsante di blocco. Il tuo interruttore è ora acceso. Per spegnere l'alimentazione, è sufficiente rilasciare l'interruttore di alimentazione.

Dopo lo spegnimento, la lama può continuare a ruotare.

Attenzione! Attendere fino al completo arresto della macchina prima di effettuare le impostazioni.

SUGGERIMENTI DI LAVORO PER LA TUA SEGA CIRCOLARE

Se il tuo elettro-utensile è surriscaldato, impostare la velocità al massimo e lasciarla funzionare senza carico per 2-3 minuti per raffreddare il motore. Evitare l'uso prolungato a velocità estremamente bassa.

Utilizzare sempre una lama adatta al materiale e allo spessore del materiale da tagliare. Accertarsi sempre che il pezzo da lavorare sia saldamente fissato o bloccato per evitare il movimento. Per un controllo più semplice, iniziare a tagliare a bassa velocità e quindi aumentare alla velocità corretta.

Qualsiasi movimento del materiale può influire sulla qualità di taglio. La lama taglia alla corsa verso l'alto e può rompere la parte superiore o la superficie del pezzo. Dopo aver terminato il lavoro, assicurarsi che la superficie superiore sia invisibile. Un'alimentazione troppo rapida riduce notevolmente le prestazioni della macchina e riduce la durata della lama della sega. Rivolgere sempre il lato buono del pezzo verso il basso, per garantire una scheggiatura ridotta al minimo. Utilizzare solo lame affilate di tipo appropriato.

IT

MANUTENZIONE

Rimuovere la spina dalla presa di corrente prima di eseguire qualsiasi regolazione, riparazione o manutenzione.

L'attrezzo non richiede lubrificazione o manutenzione aggiuntiva. All'interno dell'attrezzo non ci sono parti riparabili da parte dell'utente. Non usare mai acqua o detersivi chimici per pulire l'attrezzo. Pulire con un panno asciutto. Conservare sempre gli attrezzi elettrici in luoghi asciutti. Tenere pulite le aperture di ventilazione del motore. Tenere puliti dalla polvere tutti i controlli operativi. La formazione di scintille all'interno delle aperture di ventilazione, è un fenomeno normale che non crea danni all'attrezzo.

Se il cavo d'alimentazione è danneggiato, deve essere sostituito dal produttore, il suo distributore o persona egualmente qualificata per evitare pericoli.

TUTELA AMBIENTALE



I prodotti elettrici non possono essere gettati tra i rifiuti domestici. L'apparecchio da rottamare deve essere portato al centro di riciclaggio per un corretto trattamento. Controllare con le autorità locali o con il rivenditore per localizzare il centro di riciclaggio più vicino.

DICHIARAZIONE DI CONFORMITÀ

NOI
POSITEC Germany GmbH
Postfach 32 02 16, 50796 Cologne, Germany

Dichiara che l'apparecchio,
Descrizione **Sega circolare**
Codice **DX59 (59 - designazione della macchina, rappresentativa della sega circolare)**
Funzioni **Taglio di vari materiali con una lama dentata rotante**

È conforme alle seguenti direttive,
2006/42/EC, 2014/30/EU, 2011/65/EU&(EU)2015/863

conforme a,
EN 62841-1
EN 62841-2-5
EN 55014-1
EN 55014-2
EN IEC 61000-3-2
EN 61000-3-3

Il responsabile autorizzato alla compilazione della documentazione tecnica,

Nome: Marcel Filz
Indirizzo: POSITEC Germany GmbH
Postfach 32 02 16, 50796 Cologne, Germany



2021/05/20
Allen Ding
Vice capo ingegnere, testing e certificazione
Positec Technology (China) Co., Ltd
18, Dongwang Road, Suzhou Industrial
Park, Jiangsu 215123, P. R. China

MANUAL ORIGINAL

SEGURIDAD DEL PRODUCTO

ADVERTENCIAS DE SEGURIDAD GENERALES SOBRE HERRAMIENTAS ELÉCTRICAS



ADVERTENCIA: Lea todas las advertencias de seguridad, instrucciones, ilustraciones y especificaciones que acompañan a esta herramienta eléctrica. Si no se respetan todas las instrucciones que se indican abajo, podría producirse una descarga eléctrica, un incendio o alguien podría resultar herido de gravedad.

Conserve todas las advertencias e instrucciones para futuras consultas.

El término "herramienta eléctrica" en todas las advertencias siguientes corresponde a la herramienta eléctrica con o sin cable.

1) Zona de trabajo

- a) **Mantener su lugar de trabajo limpio y bien iluminado.** Bancos de trabajo desordenados y lugares oscuros invitan a los accidentes.
- b) **No utilizar herramientas eléctricas en atmósferas explosivas, como por ejemplo en presencia de líquidos inflamables, gases o polvo.** Las herramientas eléctricas crean chispas que pueden encender el polvo o los vapores.
- c) **Mantener alejados a los niños y visitantes mientras opera una herramienta eléctrica.** Las distracciones pueden hacerle perder el control.

2) Seguridad eléctrica

- a) **Los enchufes de la herramienta eléctrica deben encajar perfectamente en el tomacorriente. Nunca modificar el enchufe de ninguna manera. No utilizar adaptadores con herramientas eléctricas conectadas a tierra.** Los enchufes no modificados y los que encajan perfectamente en el tomacorriente reducirán el riesgo de descarga eléctrica.
- b) **Evitar el contacto del cuerpo con superficies conectadas a tierra tales como caños, radiadores, cocinas y heladeras.** Existe un riesgo creciente de descarga eléctrica si su cuerpo queda conectado a tierra.
- c) **No exponer las herramientas eléctricas a la lluvia y no guardar en lugares húmedos.** El agua que penetra en ellas aumentará el riesgo de una descarga eléctrica.
- d) **No abusar del cable. Nunca utilizar el cable para transportar, tirar o desenchufar la herramienta eléctrica. Mantener el cable alejado del calor, del aceite, de bordes agudos o piezas móviles.** Los cables dañados o enredados aumentan el riesgo de descarga eléctrica.
- e) **Cuando utilice su herramienta eléctrica al aire libre, emplear un prolongador apto para uso en exteriores.** El empleo de cables para uso al aire libre reduce el riesgo de descarga eléctrica.
- f) **Si es necesario utilizar la herramienta motorizada en un lugar muy húmedo, utilice una fuente de alimentación con dispositivo de corriente residual (RCD).** El uso de un RCD reduce el riesgo de descarga eléctrica.

3) Seguridad personal

- a) **Mantenerse alerta, poner atención en lo que está haciendo y utilice el sentido común mientras opera**


una herramienta eléctrica. No emplear la herramienta cuando se encuentre cansado o bajo la influencia de drogas, alcohol o medicación. Un momento de falta de atención durante el manejo de herramientas eléctricas puede dar lugar a daños corporales serios.

- b) **Utilizar equipo de seguridad. Usar siempre protección ocular.** Equipo de seguridad como máscaras contra el polvo, zapatos antideslizantes de seguridad, sombrero o protección auditiva para condiciones apropiadas reducirá daños corporales.
 - c) **Evite el arranque accidental. Asegúrese de que el interruptor se encuentra desactivado antes de enchufar la máquina o colocar la batería, al tomar la herramienta o transportarla.** Transportar herramientas con el dedo en el interruptor o enchufar la herramienta cuando el interruptor está encendido invitan a los accidentes.
 - d) **Retire llaves de ajuste o llaves inglesas antes de poner la herramienta en funcionamiento.** Una llave que queda unida a una pieza móvil de la herramienta puede originar daños corporales.
 - e) **No extralimitarse. Mantenerse firme y con buen equilibrio en todo momento.** Esto permite un mejor control de la herramienta en situaciones inesperadas.
 - f) **Vestirse apropiadamente. No usar ropa suelta ni alhajas.** Mantenga el pelo, la ropa y los guantes alejados de las piezas en movimiento. La ropa suelta, las alhajas o el cabello largo pueden ser atrapados por las piezas móviles.
 - g) **Si se proporcionan dispositivos para la extracción y recolección de polvo, asegurarse de que estos estén conectados y utilizados correctamente.** El uso de estos dispositivos puede reducir peligros relacionados con el polvo.
 - h) **No permita que el hecho de estar familiarizado con el uso de herramientas le haga volverse descuidado o ignorar las normas de seguridad.** La falta de atención puede provocar heridas graves en una fracción de segundo.
- #### 4) Mantenimiento de la herramienta motorizada
- a) **No forzar la herramienta eléctrica. Utilizar la herramienta eléctrica correcta para su aplicación.** La herramienta eléctrica correcta hará el trabajo mejor y más seguro a la velocidad para la cual fue diseñada.
 - b) **No utilizar la herramienta eléctrica si el interruptor no la enciende o apaga.** Cualquier herramienta eléctrica que no pueda ser controlada con el interruptor es peligrosa y debe ser reparada.
 - c) **Desconecte la clavija de la fuente de alimentación o extraiga la batería (si es desmontable) de la herramienta eléctrica antes de realizar cualquier ajuste, cambiar los accesorios o guardar la herramienta.** Tales medidas de seguridad preventivas reducen el riesgo de arranque accidental de la herramienta.
 - d) **Mantener las herramientas eléctricas que no usa fuera del alcance de los niños y no permita que personas no familiarizadas con la herramienta o con estas instrucciones maneje la herramienta eléctrica.** Las herramientas eléctricas son peligrosas en manos de usuarios inexpertos.
 - e) **Realice un mantenimiento adecuado de las herramientas eléctricas y sus accesorios. Comprobar si hay desalineamiento o atascamiento de piezas móviles, rotura de piezas en general y cualquier otra condición que pueda afectar la operación normal de la herramienta.** Si se verifican daños, recurra a un servicio calificado antes de volver a usar la herramienta. Las herramientas mal mantenidas causan muchos accidentes.

- f) **Mantener las piezas de corte limpias y afiladas.** Puesto que son menos probables de atascarse y más fáciles de controlar.
 - g) **Utilizar la herramienta eléctrica, accesorios y brocas etc., de acuerdo con estas instrucciones y de la manera prevista para el tipo particular de herramienta eléctrica, teniendo en cuenta las condiciones de trabajo y el trabajo a ser realizado.** El uso de la herramienta eléctrica para otras operaciones distintas de lo previsto podría dar lugar a una situación peligrosa.
 - h) **Mantenga las empuñaduras y las superficies de agarre secas, limpias y sin aceite ni grasa.** Una empuñadura o una superficie de agarre resbaladiza dificultan la correcta manipulación y el control de la herramienta en situaciones imprevistas.
- 5) **Reparación**
- a) **Permitir que el mantenimiento de su herramienta eléctrica sea efectuado por una persona calificada usando solamente piezas de recambio idénticas.** Esto es primordial para mantener la seguridad de la herramienta eléctrica.

INSTRUCCIONES DE SEGURIDAD PARA TODAS LAS SIERRAS PROCEDIMIENTOS DE SERRADO

PROCEDIMIENTOS DE CORTE

- a)  **ADVERTENCIA:** Colocar las manos lejos de la superficie de corte y del disco. Tener la segunda mano en el pomo frontal. Si ambas manos sostienen la sierra, Ud tendrá una mejor estabilidad y evitará cortarse con el disco.
- b) **No pasar bajo la pieza está cortando.** La cubierta protectora le protege sobre la pieza de trabajo pero no debajo de esta.
- c) **Ajustar la profundidad de corte al grueso de la pieza que debe trabajar.** Si el grueso de la pieza es inferior a la profundidad de corte seleccionada, Ud debe tomar precauciones, ya que el disco sobresaldrá debajo de la pieza.
- d) **Nunca mantener la pieza a cortar con las manos o entre los brazos. Asegurar la pieza a trabajar en una superficie estable.** Es importante fijar (asegurar) la pieza con el fin de evitar todo riesgo de herida.
- e) **Sostenga la herramienta únicamente por medio de superficies aislantes, al realizar una operación en la que el accesorio de corte pueda entrar en contacto con cableado oculto o con su propio cable.** Su el accesorio de corte entra en contacto con un cable "activo", podría generar una descarga hacia el usuario.
- f) **Durante el corte, utilizar una guía paralela.** Esto mejora la precisión del corte y evita que el disco se agarrote.
- g) **Siempre utilizar discos de dimensión y diámetro interior correcto e indicados en el manual.** Discos que no acaten las características de este manual, no girarán correctamente, generando una pérdida de control para el usuario.
- h) **Nunca utilizar discos, arandelas o tuercas dañados o no conformes a este manual.** Los discos, arandelas y tuercas deben estar en perfectas condiciones de uso.

CONSEJOS ADICIONALES SE SEGURIDAD PARA SU SIERRA

CAUSAS DE RETROCESO Y ADVERTENCIAS RELACIONADAS

- Este fenómeno puede ser, y debido a la mala alineación del disco, dando como resultado una pérdida de control del usuario, y un repentino y brusco tirón del disco y la herramienta hacia el usuario.
- Es importante ser precavido con estos fenómenos con el fin de evitar todo riesgo de heridas.
- Si el disco se frena o se alinea mal en el corte, éste corre el riesgo de reaccionar en dirección al usuario.

Este fenómeno es el resultado de una mala utilización y/o de un mal montaje y/o de la utilización de discos no adecuados; y puede evitarse siguiendo escrupulosamente las instrucciones de este manual.

- a) **Mantener firmemente la sierra con ambas manos para resistir cualquier tipo de reacción o tirón. Colocar el cuerpo con objeto de ejercer una fuerza de cada lado del disco y no en alineación con él.** La reacción de disco hacia el usuario puede evitarse tomando las precauciones necesarias.
- b) **Cuando detenga el corte, suelte primero el interruptor y mantenga la sierra en la pieza hasta que el disco se detenga completamente.** Nunca intente retirar la sierra de la pieza cuando el disco esté girando, pues podría ser sorprendido por una brusca reacción del disco y la herramienta hiriéndole seriamente. Tome las precauciones necesarias para evitar estas reacciones.
- c) **Cuando vuelva a poner en marcha su sierra sobre una pieza, centre la cuchilla y compruebe que los dientes del disco no están en contacto con la pieza.** Si los dientes estuvieran en contacto con la pieza, el enganchón sería inevitable en el momento de la puesta en marcha.
- d) **Sostener (con ayuda de tablas...) los tablones amplios con el fin de evitar el pelliczo y frenado del disco.** Las tablas deben colocarse debajo y a cada lado del tablón, cerca de la línea de corte y del borde del mismo.
- e) **No utilice discos gastados o dañados.** Discos mal afilados o no conformes a este manual, implican una fricción excesiva y en consecuencia un riesgo importante de enganchones.
- f) **Las palancas de bloqueo de profundidad e inclinación deben apretarse correctamente antes de emprender un corte.** Si las palancas de ajuste no se aprietan correctamente, existe un riesgo importante de pelliczo del disco y su bloqueo.
- g) **Cuando realice cortes donde el grosor del material supere en radio del disco, tome las máximas precauciones en cuanto a la existencia de componentes metálicos o peligrosos en su interior que puedan ocasionar enganchones del disco.**

INSTRUCCIONES DE SEGURIDAD DE LA SIERRA CIRCULAR CON PROTECCIÓN PENDULAR INTERIOR

FUNCIÓN DE PROTECCIÓN INFERIOR

- a) **Verifique que cubierta inferior de protección cierre apropiadamente antes de cada uso. No accione la sierra si esta no se mueve libremente ni se cierra inmediatamente. Nunca ate o fije con abrazaderas la cubierta inferior de protección en la posición abierta. Si la sierra se cae accidentalmente, la cubierta inferior puede doblarse.**
Levántela con el mango retráctil y cerciórese de que se mueva libremente y que no toque el disco u otras partes en todos los ángulos y profundidades de corte.
- b) **Compruebe el funcionamiento del resorte de la cubierta inferior. Si la cubierta y el resorte no están funcionando correctamente, deben ser revisados por un técnico cualificado antes del uso. La cubierta inferior puede funcionar lentamente debido a piezas dañadas, restos gomosos o acumulación de desechos.**
- c) **La cubierta inferior debe ser plegada manualmente solo en casos de cortes especiales, como cortes mediante descenso vertical o cortes compuestos. Levante la cubierta inferior por el mango retráctil y cuando el disco penetre en el material, la cubierta deberá ser soltada. Para las demás operaciones de aserrado, la cubierta inferior debe funcionar automáticamente.**
- d) **Siempre verifique que la cubierta de protección inferior esté cubriendo el disco antes de colocar la sierra sobre el banco o el suelo. Asegúrese de que el disco está montado en la posición correcta y de que el tornillo de fijación se encuentra bien apretado. Tome nota del tiempo que tarda la hoja en detenerse una vez que el interruptor ha sido apagado.**

INSTRUCCIONES ADICIONALES DE SEGURIDAD PARA SU HERRAMIENTA

1. Utilice únicamente hojas de sierra recomendadas por el fabricante, que son conformes con EN 847-1 si está previsto su uso con madera u otros materiales similares.
2. No utilice ningún tipo de discos abrasivos.
3. Use sólo hojas de diámetro acorde con las indicaciones.
4. Identifique la hoja de sierra correcta para el material que se va a cortar.
5. Utilice únicamente hojas de sierra que estén marcadas con una velocidad igual o superior a la que está especificada en la herramienta.

SÍMBOLOS



Para reducir el riesgo de lesión, lea el manual de instrucciones



ADVERTENCIA



Utilice protección ocular



Utilice protección auditiva



Utilice una máscara antipolvo



Utilizar guantes de protección



Doble aislamiento



Los residuos de aparatos eléctricos y electrónicos no deben depositarse en la basura doméstica. Se deben reciclar en las instalaciones especializadas. Consulte a las autoridades locales o el establecimiento para saber cómo reciclar estos productos.



Bloquear



Desbloquear

ES

LISTA DE COMPONENTES

1. MANGO DELANTERO
2. ALOJAMIENTO DE MOTOR
3. PLACA BASE DE LA ESCALA ANGULAR
4. BLOQUEO DE BISEL DE PLACA BASE
5. GUÍA PARALELA
6. MANDO DE BLOQUEO DE LA GUÍA PARALELA
7. HENDIDURA DE GUÍA DE CORTE
8. PROTECTOR DE CUCHILLA INFERIOR
9. PLACA BASE
10. BRIDA EXTERIOR
11. PERNO DE LA HOJA
12. HOJA DE SIERRA
13. REDUCIR LA PROTECCIÓN
14. ADAPTADOR AL VACÍO
15. RESGUARDO FIJO
16. INTERRUPTOR DE ENCENDER/APAGAR DE SEGURIDAD
17. BOTÓN DE BLOQUEO
18. PALANCA DE AJUSTE DE PROFUNDIDAD DE CORTE
19. LLAVE HEXAGONAL
20. BOTÓN DE BLOQUEO DEL HUSILLO

No todos los adjuntos ilustrados o descritos están incluidos en la entrega estándar.

DATOS TÉCNICOS

Tipo DX59 (59-nombre de mecánico, representante de sierra circular)

Tensión nominal	220-240V~50/60Hz
Entrada de potencia nominal	1400W
Sin velocidad de carga	5800/min
Clase de protección	□/II
Diámetro exterior de disco	185mm
Agujero de la hoja	16mm
Marca de corte - 90°	
90°	65mm
45°	45mm
Capacidad del bisel	0-45°
Peso de la máquina	4.06kg

INFORMACIÓN DE RUIDO

Nivel de presión acústica ponderada	L_{pA} : 89.9 dB (A)
Nivel de potencia acústica ponderada	L_{wA} : 100.9 dB (A)
K_{pA} & K_{wA}	3.0 dB (A)
Utilice protección auditiva.	

INFORMACIÓN DE VIBRACIÓN

Los valores totales de vibración se determinan según la norma EN 62841:	
Valor de emisión de vibración:	Corte de mader: $a_{h,W} = 1.62 \text{ m/s}^2$ (Mango principal)
	Corte de mader: $a_{h,W} = 3.32 \text{ m/s}^2$ (Asa auxiliar)
	Incertidumbre $K = 1.5 \text{ m/s}^2$

El valor total de vibraciones declarado y el valor de emisiones acústicas declarado se han medido de conformidad con un método de prueba estándar y pueden utilizarse para realizar comparaciones entre herramientas.

El valor total de vibraciones declarado y el valor de emisiones acústicas declarado también pueden utilizarse en una evaluación preliminar de la exposición.



ADVERTENCIA: Las vibraciones y las emisiones acústicas que se producen durante el uso de la herramienta eléctrica pueden variar respecto a los valores declarados en función de cómo se utilice la herramienta, especialmente dependiendo del tipo de pieza de trabajo que se procese y de otras formas de usar la herramienta:

Cómo se utiliza la herramienta y se cortan o perforan los materiales.

Si la herramienta se encuentra en buenas condiciones de mantenimiento.

Si se utiliza el accesorio correcto para la herramienta y se garantiza que está afilado y en buenas condiciones.

La firmeza de sujeción de las empuñaduras, y el uso de accesorios para reducir las vibraciones y el ruido.

Y si la herramienta se utiliza según su diseño y estas instrucciones.

Esta herramienta podría causar síndrome de vibración del brazo y la mano si no se utiliza correctamente.



ADVERTENCIA: Para conseguir una mayor precisión, debe tenerse en cuenta una estimación del nivel de exposición en condiciones reales de todas las partes del ciclo de uso, como los tiempos durante los que la herramienta está apagado o cuando está en funcionamiento pero no está realizando ningún trabajo. Ello podría reducir notablemente el nivel de exposición sobre el período de carga total.

Minimización del riesgo de exposición a las vibraciones y el ruido.

Utilice siempre cinceles, brocas y cuchillas afiladas.

Mantenga esta herramienta de acuerdo con estas instrucciones y bien lubricada (si es necesario).

Si la herramienta se va a utilizar de forma habitual, se recomienda adquirir accesorios para reducir las vibraciones y el ruido.

Planifique su programa de trabajo para distribuir el uso de la herramienta a lo largo de varios días.

ACCESORIOS

Adaptador al vacío	1
Llave hexagonal	1
Guía paralela	1
Disco	1

Recomendamos que adquiera todos sus accesorios en el mismo establecimiento donde compró la herramienta. Consulte los estuches de los accesorios para más detalles. El personal del establecimiento también puede ayudar y aconsejar.

INSTRUCCIONES



NOTA: Antes de utilizar la herramienta, lea atentamente el libro de instrucciones.

POSIBLE USO

La máquina está diseñada para el corte longitudinal y transversal de madera con líneas de corte rectas, así como ángulos de bisel de 45°, mientras reposa firmemente sobre la pieza de trabajo.

ENSAMBLAJE

1. MONTAJE Y DESMONTAJE DE LA HOJA DE LA SIERRA (VER FIG. A1,A2,A3)

Presione el botón de bloqueo de husillo y use la llave hexagonal para aflojar y retirar el perno de la hoja (11). Retire el reborde exterior (10). Gire el protector inferior de la hoja en sentido horario empujando la palanca de protección para sacar la hoja antigua (12). Instale una hoja nueva. Asegúrese de que el agujero de la hoja esté en el reborde interior (a) y que la flecha de dirección de la hoja apunte en la misma dirección que la flecha del protector fijo. Coloque el reborde exterior, el perno de la hoja sobre el agujero de la hoja. Presione el bloqueo de husillo de nuevo y use la llave hexagonal para apretar el perno 1/4 de vuelta más que manualmente. Compruebe si la hoja bien sujeta.



ADVERTENCIA: Los dientes de la cuchilla son muy afilados. Para obtener los mejores resultados de corte, asegúrese de utilizar una hoja de sierra adecuada para el material y la calidad de corte que necesita.

2. AJUSTE LA PROFUNDIDAD DEL CORTE (VER FIG. B)

Gire la perilla de bloqueo de profundidad de corte en sentido antihorario y levante el cuerpo de la sierra lejos de la placa base. Ajuste la profundidad del corte con la escala y ajuste la perilla de bloqueo de profundidad del corte para su bloqueo. Siempre agregue 3 mm a su profundidad de corte para que la cuchilla pueda cortar el material.

3. AJUSTE DEL ÁNGULO DE LA PLACA BASE (VER FIG. C1,C2)

Levante el bloqueo del bisel de la placa base en el sentido contrario a las agujas del reloj para aflojar la escala angular. Incline la placa base lejos de la máquina hasta que el ángulo de corte requerido se ajuste en la escala del ángulo. Bloquee el bloqueo del bisel presionándolo hacia abajo. No utilice la escala de profundidad de corte cuando realice cortes en bisel debido a posibles imprecisiones.

4. PUERTO DE EXTRACCIÓN DEL POLVO (VER FIG. D)

Sujete el adaptador del vacío en la salida de extracción de polvo en el mismo sentido que las agujas del reloj hasta que se traben. Además, fije el adaptador del vacío al protector fijo con los dos tornillos. Conecte directamente una manguera de vacío adecuada al adaptador.

Limpie el adaptador del vacío regularmente para garantizar una extracción de polvo óptima. La aspiradora debe ser adecuada para el material del cual se está trabajando.

5. AJUSTE DE LA GUÍA EN PARALELO (VER FIG.E)

La guía paralela se utiliza para realizar cortes paralelos en el borde de la pieza de trabajo a una distancia elegida. Deslice el brazo de la guía paralela a través del dispositivo para alcanzar la distancia de corte requerida, luego apriete la perilla de bloqueo para sujetarlo. Para cortes rectos, use la marca de guía de 0° para alinearse con su escala de guía paralela. Para un corte en bisel de 45°, use la marca de guía de 45° para alinearse con su escala de guía paralela. Sujete firmemente la guía paralela.

NOTA: Lo mejor es realizar un corte de prueba.

OPERACIÓN

1. POSICIÓN DE AGARRE DE LA MANO(VER FIG.F)

Siempre sostenga su sierra firmemente con ambas manos cuando la opere.

2. ENCENDIDO Y APAGADO (VER FIG. G)

El interruptor de encendido / apagado está bloqueado para evitar un arranque accidental. Presione el botón de bloqueo, luego el interruptor de encendido / apagado y suelte el botón de bloqueo. Su interruptor está ahora encendido. Para apagar la herramienta, simplemente presione y suelte el interruptor de encendido/apagado.

La cuchilla puede continuar girando después de apagarse. Advertencia! Espere hasta que la máquina se detenga por completo antes de dejarla.

CONSEJOS DE TRABAJO PARA SU SIERRA CIRCULAR

Si su herramienta eléctrica se calienta demasiado, haga funcionar su sierra circular sin carga durante 2-3 minutos para enfriar el motor. Evite el uso prolongado a velocidades muy bajas. Utilice siempre una cuchilla adecuada para el material y el grosor del material a cortar. Asegúrese siempre de que la pieza de trabajo esté firmemente sujeta o afinada para evitar que se mueva. Para un control más fácil, use la velocidad baja para comenzar a cortar, luego aumente a la velocidad correcta. Cualquier movimiento del material puede afectar la calidad del corte. La cuchilla corta el trazo ascendente y puede astillar la superficie superior o la cara de la pieza de trabajo. Asegúrese de que su superficie superior sea una superficie no visible cuando termine su trabajo. Avanzar demasiado rápido reduce significativamente las prestaciones de la máquina y acorta la vida de la hoja de sierra. Oriente siempre el lado bueno de la pieza trabajada hacia abajo, para asegurar un astillado mínimo. Use únicamente hojas de sierra afiladas del tipo correcto.

MANTENIMIENTO

Retire el enchufe de la toma de corriente antes de efectuar cualquier ajuste, reparación o mantenimiento.

Su herramienta eléctrica no requiere de lubricación ni mantenimiento adicional. No posee piezas en su interior que deban ser reparadas por el usuario. Nunca emplee agua o productos químicos para limpiar su herramienta. Use simplemente un paño seco. Guarde siempre su herramienta en un lugar seco. Mantenga limpias las ranuras de ventilación del motor. Mantenga todos los controles de funcionamiento libres de polvo. La observación de chispas que destellan bajo las ranuras de ventilación indica un funcionamiento normal que no dañará su herramienta. Si el cable de alimentación está dañado deberá ser reemplazado por el fabricante, su agente de servicio o por alguna persona cualificada para evitar riesgos.

PROTECCION AMBIENTAL



Los residuos de aparatos eléctricos y electrónicos no deben depositarse en la basura doméstica. Se deben reciclar en las instalaciones especializadas. Consulte a las autoridades locales o el establecimiento para saber cómo reciclar estos productos.

DECLARACIÓN DE CONFORMIDAD

Los que reciben,
POSITEC Germany GmbH
Postfach 32 02 16, 50796 Cologne, Germany

Declaran que el producto,
Descripción **Sierra Circular**
Modelo **DX59 (59 - designación de la maquinaria, representativa de la sierra circular)**
Función **Corte diversos materiales con una hoja dentada rotatoria**

Cumple con las siguientes Directivas:
2006/42/EC, 2014/30/EU, 2011/65/EU&(EU)2015/863

Normativas conformes a
EN 62841-1
EN 62841-2-5
EN 55014-1
EN 55014-2
EN IEC 61000-3-2
EN 61000-3-3


La persona autorizada para componer el archivo técnico,
Firma **Marcel Filz**
Dirección **POSITEC Germany GmbH**
Postfach 32 02 16, 50796 Cologne, Germany



2021/05/20
Allen Ding
Ingeniero Jefe Adjunto, Pruebas y Certificación.
Positec Technology (China) Co., Ltd
18, Dongwang Road, Suzhou Industrial
Park, Jiangsu 215123, P. R. China

ES

OORSPRONKELIJKE GEBRUIKSAANWIJZING PRODUCTVEILIGHEID ALGEMENE VEILIGHEIDSWAARSCHUWINGEN VOOR VERMOGENSMACHINE

 **WAARSCHUWING:** Lees alle veiligheidswaarschuwingen, instructies, illustraties en specificaties die bij dit elektrisch gereedschap werden meegeleverd. Het niet opvolgen van alle onderstaande voorschriften kan tot een elektrische schok, brand en/of ernstig persoonlijk letsel leiden.

Bewaar alle waarschuwingen en instructies voor latere naslag.

De term "(elektrisch) gereedschap" in de waarschuwingen hieronder, verwijst naar uw op netspanning werkende gereedschap (met stroomdraad) of uw accugereedschap (draadloos).

1) Werkgebied

- a) Houd uw werkgebied schoon en zorg ervoor dat deze goed verlicht is. In rommelige en slecht verlichte werkgebieden gebeuren sneller ongelukken.
- b) Gebruik elektrisch gereedschap niet in explosieve atmosferen, zoals in de nabijheid van ontvlambare vloeistoffen, gassen of stof. Elektrisch gereedschap veroorzaakt vonken die de stof of de gassen kunnen doen ontvlammen.
- c) Houd kinderen en omstanders uit de buurt terwijl u met elektrisch gereedschap werkt. Afdelingen kunnen ervoor zorgen dat u de controle over het gereedschap verliest.

2) Elektrische veiligheid

- a) De stekker van het elektrisch gereedschap moet passen in het stopcontact. Pas de stekker op geen enkele manier aan om te zorgen dat hij wel past. Gebruik geen adapterstekkers terwijl u geaard elektrisch gereedschap gebruikt. Onaangepaste stekkers die in het stopcontact passen, verminderen de kans op een elektrische schok.
- b) Vermijd lichamelijk contact met geaarde of gegronde oppervlakken, zoals buizen, radiatoren, fornuizen en koelkasten. Als uw lichaam geaard of gegrond is, is er een grotere kans op een elektrische schok.
- c) Stel uw elektrische gereedschap niet bloot aan regen of natte omstandigheden. Water dat elektrisch gereedschap kan binnendringen, vergroot de kans op een elektrische schok.
- d) Gebruik de stroomdraad niet op een andere manier dan waarvoor deze gemaakt is. Trek niet aan de stroomdraad, ook niet om de stekker uit het stopcontact te krijgen en draag het gereedschap niet door het aan de stroomdraad vast te houden. Houd de stroomdraad uit de buurt van hitte, olie, scherpe hoeken en bewegende onderdelen. Beschadigde of verwarde stroomdraden vergroten de kans op een elektrische schok.
- e) Wanneer u het elektrische gereedschap buitenshuis gebruikt, dient u te zorgen voor een verlengsnoer dat geschikt is voor gebruik buitenshuis. Het gebruik van een verlengsnoer dat geschikt is voor gebruik buitenshuis, vermindert de kans op een elektrische schok.
- f) Moet een krachtmachine in een vochtige locatie worden gebruikt, gebruik dan een aardlekschakelaar (ALS). Een

ALS vermindert het gevaar op elektrische schokken.

3) Persoonlijke veiligheid

- a) Blijf alert, kijk waar u mee bezig bent en gebruik uw gezonde verstand wanneer u met elektrisch gereedschap werkt. Gebruik geen elektrisch gereedschap wanneer u moe bent of onder de invloed van drugs, alcohol of medicijnen. Een moment van onoplettendheid bij het gebruik van elektrisch gereedschap kan leiden tot ernstig persoonlijk letsel.
 - b) Gebruik een veiligheidsuitrusting. Draag altijd oogbescherming. Een veiligheidsuitrusting, zoals een stofmasker, schoenen met antislipzolen, een veiligheidshelm, of oorbescherming die onder de juiste omstandigheden gebruikt wordt, vermindert de kans op persoonlijk letsel.
 - c) Pas op dat het apparaat niet onbedoeld wordt gestart. Zorg ervoor dat de schakelaar uit staat voordat u de voeding en/of batterij aansluit, en als u de machine oppakt en draagt. Gereedschap dragen terwijl u uw vinger op de schakelaar houdt, of de stekker in het stopcontact steken terwijl het gereedschap ingeschakeld staat, is vragen om ongelukken.
 - d) Verwijder inbussleutels of moersleutels voordat u het gereedschap inschakelt. Een sleutel die nog in of op een draaiend onderdeel van het elektrische gereedschap zit, kan leiden tot ernstig persoonlijk letsel.
 - e) Werk niet boven uw macht. Zorg er altijd voor dat u stevig staat en goed in balans bent. Hierdoor heft u betere controle over het gereedschap in onverwachte situaties.
 - f) Draag geschikte kleding. Draag geen loszittende kleding of sieraden. Houd uw haar en kleding uit de buurt van bewegende onderdelen. Loszittende kleding, sieraden of lang haar kan vast komen te zitten in bewegende onderdelen.
 - g) Wanneer er apparaten worden bijgeleverd voor stofafzuiging en -opvang, zorg er dan voor dat deze aangesloten zijn en op de juiste manier gebruikt worden. Het gebruik van deze apparaten vermindert de gevaren die door stof kunnen ontstaan.
 - h) Als u gereedschap veelvuldig gebruikt, dan kan dit leiden tot het negeren van de veiligheidsprincipes, probeer dit te vermijden. Een achtelozе actie kan binnen een fractie van een seconde leiden tot ernstig letsel.
- 4) Gebruik en onderhoud van elektrisch gereedschap
 - a) Forceer het gereedschap niet. Gebruik gereedschap dat voor de toepassing geschikt is. Het gebruik van geschikt gereedschap levert beter werk af en werkt veiliger als het gebruikt wordt op de snelheid waar het voor ontworpen is.
 - b) Gebruik het gereedschap niet wanneer de aan/uitschakelaar niet functioneert. Gereedschap dat niet kan worden bediend met behulp van de schakelaar is gevaarlijk en dient te worden gerepareerd.
 - c) Haal de stekker uit het stopcontact en/of verwijder de accu, indien deze kan worden verwijderd, uit het gereedschap voordat u instellingen verandert, toebehoren vervangt of de machine opbergt. Deze preventieve veiligheidsmaatregelen verminderen de kans op het ongewild inschakelen van het gereedschap.
 - d) Berg gereedschap dat niet gebruikt wordt buiten het bereik van kinderen op en laat personen die niet bekend zijn met het gereedschap of met deze veiligheidsinstructies het gereedschap niet bedienen. Elektrisch gereedschap kan in de handen van ongetrainde gebruikers gevaarlijk zijn.
 - e) Onderhouden van het gereedschap en accessoires.

Controleer of bewegende onderdelen nog goed uitgelijnd staan, of ze niet ergens vastzitten en controleer op elke andere omstandigheid die ervoor kan zorgen dat het gereedschap niet goed functioneert. Wanneer het gereedschap beschadigd is, dient u het te repareren voordat u het in gebruik neemt. Veel ongelukken worden veroorzaakt door slecht onderhouden elektrisch gereedschap.

- f) **Houd snijdend gereedschap schoon en scherp.** Goed onderhouden snijdend gereedschap met scherpe zaagbladen/messen zal minder snel vastlopen en is makkelijker te bedienen.
- g) **Gebruik het gereedschap, de accessoires, de bitjes, enz. in overeenstemming met deze instructies en op de manier zoals bedoeld voor het specifieke type elektrisch gereedschap, rekening houdend met de werkomstandigheden en het uit te voeren werk.** Het gereedschap gebruiken voor andere doeleinden dan waar deze voor ontworpen is, kan gevaarlijke situaties opleveren.
- h) **Houd de handgrepen en grijppoppervlakten droog, schoon en vrij van olie en smeermiddel.** Glibberige handgrepen en grijppoppervlakten laten geen veilige hantering toe, en zorgen ervoor dat u geen controle hebt over het gereedschap in onverwachte omstandigheden.
- 5) **Service**
 - a) **Laat uw elektrisch gereedschap repareren door een bevoegde reparateur die alleen originele reserveonderdelen gebruikt.** Zo bent u er zeker van dat uw gereedschap veilig blijft.

VEILIGHEIDSINSTRUCTIES VOOR ALLE ZAGEN ZAAGMETHODE

SNIJPROCEDURES

- a)  **WAARSCHUWING:** Houd handen uit de buurt van het zaaggedeelte van het blad. Houd uw vrije hand op het hulphandvat of op de motorbehuizing. Wanneer beide handen de zaag vasthouden, kunt u zich niet in de handen zagen.
- b) **Reik niet onder het werkobject.** De beschermkap kan u onder het werkobject niet tegen het zaagblad beschermen.
- c) **Stel de zaagdiepte in op de dikte van het werkobject.** Er moet minder dan één tand zichtbaar zijn onder het werkobject.
- d) **Houd het werkobject nooit met de handen vast of over uw been. Zet het werkobject vast op een stabiel platform.** Het is belangrijk om het object voldoende te ondersteunen, zodat uw lichaam niet geraakt kan worden, het zaagblad niet vast kan lopen en u de controle over de machine niet verliest.
- e) **Houd de machine alleen vast bij de geïsoleerde handgrepen, wanneer uw werkzaamheden tot gevolg kunnen hebben dat het accessoire in contact komt met verborgen bedrading of het eigen netsnoer.** Komt het accessoire in contact met een spanningvoerende draad, dank om de metalen delen van de machine onder spanning staan, wat dodelijk kan zijn voor de gebruiker.
- f) **Gebruik bij het schulpen altijd een langseleider of een richtiniaal.** Dit zorgt voor een nauwkeurige snede en u

vermindert de kans op een vastgelopen zaagblad.

- g) **Gebruik altijd zaagbladen met opspandoorgaten van de juiste grootte en vorm.** Zaagbladen die niet overeenkomen met de hardware van de zaag zullen excentrisch draaien waardoor u de controle over het apparaat verliest.
- h) **Gebruik nooit beschadigde of onjuiste bouten of ringen voor het zaagblad.** De ringen en moeren voor het zaagblad zijn speciaal ontworpen voor deze zaag zodat deze optimaal presteert en veilig gebruikt kan worden.

OVERIGE VEILIGHEIDSINSTRUCTIES VOOR ALLE ZAGEN

OORZAKEN EN VOORKOMING VAN TERUGSLAG

- terugslag is een plotselinge reactie als het zaagblad klemt, vastloopt of niet goed uitgelijnd is. Hierdoor schiet de zaag omhoog, uit het werkobject en richting de bediener;
- als het blad klemt of sterk vastloopt omdat de zaagsnede te smal wordt, stopt het zaagblad en als gevolg van de motorreactie schiet het apparaat snel terug richting de bediener;
- als het blad knikt of niet goed is uitgelijnd, zullen de tanden aan de achterkant van het blad in het bovenste oppervlak van het hout zagen, zodat het blad uit de zaagsnede komt en terugschiet richting de bediener.

Terugslag is het gevolg van verkeerd gebruik en/of onjuiste bediening of omstandigheden. Dit kan voorkomen worden door de juiste voorzorgsmaatregelen te nemen, zoals hieronder vermeld.

- a) **Houd de zaag met beide handen goed vast en plaats uw armen zodanig dat u de kracht van een terugslag kunt weerstaan.** Ga met uw lichaam aan een van beiden zijden van het zaagblad staan, maar niet op één lijn met het zaagblad. *Terugslag kan ervoor zorgen dat de zaag terugschiet, maar de kracht ervan kan worden weerstaan door de bediener, indien deze de juiste voorzorgsmaatregelen heeft getroffen.*
- b) **Als het blad vastloopt, of als de snee om welke reden dan ook wordt onderbroken, laat dan de schakelaar los en houd de zaag bewegingsloos in het materiaal totdat het zaagblad volledig stilstaat** Probeer nooit de zaag uit het werkobject te halen of terug te trekken terwijl het blad nog beweegt; dit kan een terugslag veroorzaken. *Onderzoek en corrigeer zaken ter voorkoming van het vastlopen van het blad.*
- c) **Als u de zaag opnieuw aanzet in het werkobject, centreer het zaagblad dan in de zaagsnede en controleer of de zaagtanden niet vastzitten in het materiaal.** *Als het zaagblad vastloopt, kan deze omhoog gaan of een terugslag geven zodra de zaag opnieuw wordt gestart.*
- d) **Ondersteun grote panelen om zo het risico op het klemmen van het blad en terugslag te voorkomen.** Grote panelen kunnen onder hun gewicht doorzakken. *Ondersteuning dient te worden geplaatst aan beide zijden onder het paneel, nabij de zaagsnede en de rand van het paneel.*
- e) **Gebruik geen stompe of beschadigde zaagbladen.** *Onscherpe of onjuist ingestelde bladen produceren een smalle zaagsnede en dit zorgt voor extra frictie, het vastlopen van het blad en een terugslag.*
- f) **Bladdiepte en de sluithefbomen voor het instellen van de afschuining moeten goed zijn vergrendeld voordat u kunt gaan zagen.** *Als deze instellingen verschuiven tijdens het zagen, kan het zaagblad vastlopen en een terugslag*

veroorzaken.

- g) **Wees extra zorgvuldig als u rechtstreeks in een bestaande wand zaagt of andere blinde gebieden.** *Het uitstekende zaagblad zaagt mogelijk in voorwerpen die een terugslag kunnen veroorzaken.*

VELLIGHEIDSINSTRUCTIES VOOR HET ZAGEN MET INTERNE PENDELBEVEILIGING

FUNCTIE ZAAKGAP ONDERAAN

- a) **Controleer voor ieder gebruik of de onderste beveiliging op de juiste manier is vergrendeld.** Gebruik de zaag niet als de onderste bescherming niet vrij beweegt en onmiddellijk sluit. **Klem of bind de onderste bescherming nooit vast in de open positie.** *Als de zaag onopzettelijk valt, kan de onderste bescherming verbuigen. Trek de onderste bescherming omhoog met de terugtrekhandel en zorg ervoor dat deze vrij kan bewegen en het blad of welk ander deel niet raakt in alle hoeken of zaagdiepten.*
- b) **Controleer de werking van de veer van de onderste bescherming. Als de bescherming en de veer niet goed functioneren, dienen deze voor gebruik te worden gerepareerd.** *De onderste bescherming werkt misschien niet goed als gevolg van beschadigde onderdelen, gommachtige aanslag of vuil.*
- c) **De onderste bescherming dient alleen handmatig te worden teruggetrokken bij speciale sneden zoals rechtstreeks in een oppervlak of samengestelde sneden.** *Trek de onderste bescherming omhoog met behulp van de terugtrekhandel en zodra het blad in het materiaal gaat, dient u de onderste bescherming los te laten. Bij alle andere zaagbewerkingen, werkt de onderste bescherming automatisch.*
- d) **Let erop dat de onderste bescherming altijd over het blad zit voordat de zaag op een werkbank of de grond wordt gezet.** *Bij een onbeschermd zaagblad waarbij de motor niet actief is, loopt de zaag terug en snijdt deze in alles wat in de weg zit. Denk eraan dat het even duurt.*

EXTRA VEILIGHEIDSREGELS VOOR UW CIRKELZAAG

1. Gebruik alleen zaagbladen die door de fabrikant worden aanbevolen en beantwoorden aan EN 847-1, als ze bedoeld zijn voor hout en gelijkaardige materialen.
2. Gebruik geen schuurschijven.
3. Gebruik alleen de bladdiameter(s) volgens de markeringen.
4. Identificeer het juiste zaagblad voor het te zagen materiaal.
5. Gebruik alleen zaagbladen die gemarkeerd zijn met een snelheid die gelijk is aan of hoger dan de snelheid die op het apparaat is vermeld.

SYMBOLEN



Om het risico op letsels te beperken, moet u de gebruikershandleiding lezen



WAARSCHUWING



Draag een veiligheidsbril



Draag oorbescherming



Draag een stofmasker



Draag beschermende handschoenen



Dubbele isolatie



Afgedankte elektrische producten mogen niet bij het normale huisafval terechtkomen. Breng deze producten waar mogelijk naar een recyclecentrum bij u in de buurt. Vraag de verkoper of de gemeente informatie en advies over het recyclen van elektrische apparatuur.



Vergrendelen



Ontgrendelen

COMPONENTENLIJST


1. VOORSTE HANDGREEP
2. MOTORHUIS
3. BASISPLAAT HOEKSCHAAL
4. BASISPLAAT VERSTEKVERGRENDELING
5. PARALLELE GIDS
6. PARALLELGIDS VERGRENDELINGSKNOP
7. INKEPING VOOR ZAAGGELEIDER
8. ONDERSTE BESCHERMKAP
9. BASISPLAAT
10. BUITENFLENS
11. BLADBOUT
12. ZAAGBLAD
13. LAGERE BESCHERMENDE HENDEL
14. VACUÛM ADAPTER
15. FIXED BESCHERMKAP
16. VEILIGHEID AAN/UIT-SCHAKELAAR
17. VERGRENDELKNOP
18. HENDEL VOOR ZAAGDIEPTE-INSTELLING
19. HEXKNOP
20. TOETSVERGRENDELING SPINDEL

Niet alle geïllustreerde of beschreven accessoires zijn opgenomen in de standaard levering.

NL

TECHNISCHE GEGEVENS

Type DX59 (59 - aanduiding van machines, vertegenwoordiger van de cirkelzaag)

Nominale spanning	220-240V~50/60Hz
Nominaal vermogen	1400W
Geen laadsnelheid	5800/min
Beschermingsklasse	 /II
Grootte van zaagblad	185mm
Bladboring	16mm
Snijcapaciteit	
	90° 65mm
	45° 45mm
Schuin vermogen	0-45°
Machiegewicht	4.06kg

GELUIDSPRODUCTIE

A-gewogen geluidsdruk	L_{pA} : 89.9 dB (A)
A-gewogen geluidsvermogen	L_{wA} : 100.9 dB (A)
K_{pA} & K_{wA}	3.0 dB (A)
Draag oorbescherming.	

TRILLINGSGEGEVENS

Totale trillingswaarden (triax vector-som) volgens EN 62841:	
Trillingsemisiewaarde	Zagen in hout: $a_{h,W} = 1.62 \text{ m/s}^2$ (Hoofdgreep)
	Zagen in hout: $a_{h,W} = 3.32 \text{ m/s}^2$ (Hulpgreep)
	Onzekerheid $K = 1.5 \text{ m/s}^2$

De totale waarde van trillingen en geluidsemisie werden gemeten volgens een standaard testmethode en kunnen worden gebruikt om gereedschappen te vergelijken.

De totale waarde van trillingen en geluidsemisie kunnen ook voor een voorlopige beoordeling van de blootstelling worden gebruikt.



WAARSCHUWING: Trillingen en geluidsemisie die tijdens het gebruik van het gereedschap optreden, kunnen verschillen van de opgegeven waarde, dit is afhankelijk van de manier waarop het gereedschap wordt gebruikt, met name van het werkstuk dat wordt bewerkt, afhankelijk van de volgende voorbeelden en andere variaties in de manier waarop het gereedschap wordt gebruikt:

Hoe de machine gebruikt wordt en hoe het materiaal gesneden of geboord wordt.

De conditie en de onderhoudstoestand van de machine.

Gebruik van de juiste toebehoren. Zorg ervoor dat ze scherp zijn en in goede conditie.

Hoe stevig de handgreep wordt vastgehouden en of er anti-trilling en -geluidsaccessoires worden gebruikt.

De machine moet gebruik worden zoals door de ontwerper bedoeld is en in overeenstemming met deze instructies.

Deze machine kan een trillingssyndroom in hand en arm veroorzaken als hij niet op de juiste wijze gehanteerd wordt.



WAARSCHUWING: Voor de nauwkeurigheid moet bij een schatting van het blootstellingsniveau in de feitelijke gebruiksomstandigheden rekening worden gehouden met alle delen van de bewerking, zoals het moment dat de machine wordt uitgeschakeld en de tijden waarop de machine loopt zonder daadwerkelijk gebruikt te worden. Dit kan het blootstellingsniveau over de totale werkperiode aanzienlijk verminderen.

Het risico op blootstelling aan trillingen en geluid verminderen.

Gebruik altijd scherpe beitels, boren en zaagbladen.

Onderhoud de machine volgens deze instructies en houd hem goed gesmeerd (voor zover van toepassing).

Als het gereedschap regelmatig wordt gebruikt, investeer dan in anti-trilling en -geluidsaccessoires.

Plan de werkzaamheden zodat de taken met veel trillingen over een aantal dagen verspreid worden.

ACCESSOIRE

Vacuümadapter	1
Hex-sleutel	1
Parallele gids	1
Zaagblad	1

We raden u aan uw accessoires te kopen in dezelfde winkel die u de tool heeft verkocht. Zie de accessoire-verpakking voor meer informatie. Winkelpersoneel kan u helpen met advies.

BEDIENINGSINSTRUCTIES



Opmerking: Lees de handleiding zorgvuldig door voordat u het gereedschap gebruikt.

BEOOGDE GEBRUIK

De machine is ontworpen voor dwars- en horizontale hout met rechte snijlijnen en schuine hoeken met de 45° door stevig rusten op het werkstuk.

MONTAGE

1. MONTAGE EN VERWIJDERING VAN DE POEDERDOOS (ZIE AFB. A1, A2, A3)

Druk op de asvergrendelingsknop en gebruik de inbusleutel om de bout (11) van het zaagblad los te draaien en te verwijderen. Verwijder de buitenflens (10). Draai de onderste beschermkap rechtsonder door de hengel van de beschermkap in te drukken om het oude zaagblad eruit te halen (12). Plaats een vervangen zaagblad. Zorg ervoor dat de boring van het zaagblad zich op de binnenflens (a) bevindt en dat de pijl van de zaagbladrichting in dezelfde richting wijst als de pijl van de vaste beschermkap. Plaats de buitenflens, de bout van het zaagblad op het boorgat van het zaagblad. Druk nogmaals op de asvergrendeling en gebruik de inbusleutel om de bout met 1/4 slag meer dan handvast aan te draaien. Controleer of het zaagblad goed is vastgeklemd.



WAARSCHUWING: De zaagbladen zijn zeer afsladdend. Para de beste maieresultaten, moet u een zaagblad geschikt is voor het materiaal en snijkwaliteit je nodig hebt gebruiken.

2. PAS DE DIEPTE VAN DE SNIJD AAN (ZIE AFB. B)

Draai de vergrendelknop diepte van de snijden en til de zaaglichaam uit de buurt van het moederbord. Stel de zaagdiepte met de omvang en zet de vergrendelknop het uitsnijden lock diepte. Voeg altijd 3 mm aan de snijdiepte zodat het zaagblad door het materiaal kan snijden

3. DE VERORDENING VAN DE BASISPLAATHOEK (ZIE AFB. C1, C2)

Til de schuine vergrendeling op het grondplaat naar links om de hoekschaal los te maken. Kantel de grondplaat weg van de machine totdat de gewenste snijhoek op de hoekschaal is ingesteld. Vergrendel de schuine vergrendeling door naar beneden te drukken. Stel de snijdiepte schaal uitvoeren van zaagsneden vanwege mogelijke onnauwkeurigheid gebruiken.

4. STOFAFZUIGING UITLAAT (ZIE AFB. D)

Bevestig de adapter met de uitgang stofafzuiging met de klok mee van het horloge tot het sluit. Daarnaast bevestigt de adapter op de vaste vacuüm beschermer met twee schroeven. Direct sluit een zuigslang met de adapter correct.

Reinig de vacuümadapter regelmatig voor optimale stofafzuiging. De stofzuiger moet geschikt zijn voor het te verwerken materiaal.

5. DE PARALLELE GIDS AANPASSEN (ZIE AFB. E)

Het wordt gebruikt om evenwijdige sneden maken een rand van het werkstuk op een gekozen afstand. Schuifgeleiding arm parallel door de accessoire om de gewenste snij-afstand te bereiken en draai de vergrendelingsknop te pakken. Voor rechte sneden Gebruik de merkteken 0° te lijnen met 45° Gebruik de merkteken de 45° aan te sluiten bij de omvang van parallelgeleiding. Pak de parallelle geleider stevig vast. **OPMERKING:** Het beste is een test snede uit te voeren.

FUNCTIONEERT

1. HANDGREEP POSITIE (ZIE AFB. F)

Houd de zaag altijd stevig vast met beide handen tijdens het hardlopen.

2. AAN EN UIT (ZIE AFB. G)

Uw schakelaar is vergrendeld om per ongeluk in gebruik nemen beveiligen. Druk op de vergrendelknop en vervolgens op de aan/uitschakelaar en laat de vergrendelknop los. Je schakelaar is nu ingeschakeld. Als u het uitschakelen wilt uitschakelen, laat u de schakelaar gewoon aan/uit.

Het blad kan na het uitschakelen blijven draaien. Waarschuwing! Wacht tot de machine volledig tot stilstand is gekomen voordat u hem uitschakelt.

WERKTIPS VOOR UW CIRCULAIRE ZAAG

Als uw elektrische gereedschap te warm wordt, schakelt u de maximale snelheid in 2-3 minuten zonder opladen in om de motor te koelen. Vermijd langdurig gebruik bij zeer lage snelheden. Gebruik altijd een bladmateriaal en aangepast aan de dikte van het te snijden materiaal. Zorg er altijd voor dat het werkstuk stevig vastzit of om beweging te voorkomen. Om de controle te vergemakkelijken, gebruik de lage snelheid om te beginnen met snijden en vervolgens te verhogen tot de juiste snelheid. Elke beweging van materiaal kan de kwaliteit van de snede beïnvloeden. Het blad snijdt de run naar boven en kan het bovenoppervlak of het oppervlak van het werkstuk. Zorg ervoor dat het bovenoppervlak zichtbaar is wanneer hun werk wordt gedaan. Te snel zagen vermindert de prestaties van de machine aanzienlijk en verkort de levensduur van het zaagblad. Houd de goede kant van het werkstuk altijd naar beneden gericht, om splinteren tot een minimum te beperken. Gebruik alleen scherpe zaagbladen van het juiste type.

NL

ONDERHOUD

Trek de voedingskabel uit de aansluiting voordat u eventuele aanpassingen, reparaties of onderhoud uitvoert.

Uw gereedschap vereist geen smering of onderhoud. Dit gereedschap bevat geen onderdelen die door de gebruiker dienen te worden onderhouden. Gebruik nooit water of chemische reinigingsmiddelen voor het schoonmaken van uw elektrische gereedschap. Veeg schoon met een droge doek. Bewaar uw elektrische gereedschap altijd op een droge plaats. Houd de ventilatieopeningen van de motor schoon. Houd alle bedieningselementen vrij van stof. Af en toe ziet u vonken in de ventilatiegaten. Dit is normaal en zal uw gereedschap niet beschadigen.

Is de voedingskabel beschadigd, dan moet hij, om risico te voorkomen, worden vervangen door de fabrikant, zijn vertegenwoordiger of een ander bevoegd persoon.

BESCHERMING VAN HET MILIEU



Afgedankte elektrische producten mogen niet bij het normale huisafval terecht komen. Breng deze producten waar mogelijk naar een recyclecentrum bij u in de buurt. Vraag de verkoper of de gemeente informatie en advies over het recyclen van elektrische apparatuur.

CONFORMITEITVERKLARING

Wij,
POSITEC Germany GmbH
Postfach 32 02 16, 50796 Cologne, Germany

Verklaren dat het product,
Beschrijving: **Cirkelzaag**
Type **DX59 (59 - benaming van machines, representatief voor cirkelzaag)**
Functie **Zagen van verschillende materialen met een roterend getand blad**

Overeenkomt met de volgende richtlijnen,
2006/42/EC, 2014/30/EU, 2011/65/EU&(EU)2015/863

Standaards in overeenstemming met,
EN 62841-1
EN 62841-2-5
EN 55014-1
EN 55014-2
EN IEC 61000-3-2
EN 61000-3-3

De persoon die bevoegd is om het technische bestand te compileren,
Naam Marcel Filz
Adres POSITEC Germany GmbH
Postfach 32 02 16, 50796 Cologne, Germany



2021/05/20
Allen Ding
Plaatsvervangend Chief Ingenieur,
Testen en Certificering
Positec Technology (China) Co., Ltd
18, Dongwang Road, Suzhou Industrial
Park, Jiangsu 215123, P. R. China

NL

MANUAL ORIGINAL

SEGURANÇA DO PRODUTO

AVISOS GERAIS DE SEGURANÇA DE FERRAMENTAS ELÉCTRICAS



AVISO: Leia todos os avisos de segurança, instruções, ilustrações e especificações fornecidos com esta ferramenta eléctrica. Caso não siga todas as instruções listadas de seguida poderá resultar e choque eléctrico, incêndio e/ou lesões graves.

Guarde estas instruções para referência futura.

Os termos “ferramenta eléctrica” utilizados em todos os avisos constantes destas instruções referem-se à sua ferramenta eléctrica accionada por bateria (sem cabo de alimentação).

1) Local de trabalho

- a) **Mantenha o local de trabalho limpo e bem arrumado.** Áreas com pouca iluminação e desordenadas podem provocar acidentes.
- b) **Não utilize o aparelho em locais onde existam líquidos, gases ou poeiras inflamáveis e onde exista o risco de explosão.** As ferramentas eléctricas produzem faíscas que podem inflamar poeiras ou gases.
- c) **Mantenha as pessoas e particularmente as crianças afastadas da ferramenta eléctrica durante o seu funcionamento.** Qualquer distração pode fazê-lo perder o controlo do berbequim.

2) Segurança eléctrica

- a) **A ficha do berbequim deve encaixar bem na tomada de alimentação.** Nunca modifique fichas, seja de que maneira for. Não utilize nenhuma ficha de adaptação com ferramentas eléctricas que tenham ligação à terra. Fichas não modificadas e tomadas de corrente adequadas reduzem o risco de choque eléctrico.
- b) **Evite o contacto do corpo com superfícies ligadas à terra como tubos, aquecedores, fogões e frigoríficos.** Existe um aumento do risco de choque eléctrico se o seu corpo estiver em contacto com a terra ou a massa.
- c) **Não exponha este equipamento à chuva ou humidade.** A infiltração de água num aparelho eléctrico aumenta o risco de choque eléctrico.
- d) **Não maltrate o cabo de alimentação.** Nunca utilize o cabo para transportar, puxar ou desligar o aparelho da tomada de corrente. Mantenha o cabo afastado de fontes de calor, óleos, arestas afiadas ou peças em movimento. Cabos danificados ou enredados aumentam o risco de choque eléctrico.
- e) **Quando trabalhar com uma ferramenta eléctrica ao ar livre, use um cabo de extensão adequado para utilização no exterior.** A utilização de um cabo adequado para uso exterior reduz o risco de choque eléctrico.
- f) **Se não puder evitar a utilização de uma ferramenta eléctrica num local húmido, utilize uma fonte de alimentação protegida contra corrente residual.** A utilização de um dispositivo com protecção contra corrente residual reduz o risco de choque eléctrico.

3) Segurança de pessoas

- a) **Esteja atento, observe o que está a fazer e seja prudente sempre que trabalhar com uma ferramenta eléctrica.** Não utilize nunca uma ferramenta eléctrica quando estiver cansado ou sob a influência de drogas, álcool

ou medicamentos. Um momento de desatenção quando se utiliza uma ferramenta eléctrica pode causar lesões graves.


- b) **Utilize equipamentos de segurança. Use sempre óculos de protecção.** Equipamentos de segurança, tais como máscaras protectoras, sapatos de sola antiderrapante, capacetes ou protecções auriculares devidamente utilizados reduzem o risco de lesões.
 - c) **Evite o arranque accidental da ferramenta.** Certifique-se de que o comutador de alimentação está desligado antes de ligar a ferramenta à fonte de alimentação e/ou à bateria, antes de pegar nela ou antes de a transportar. Se mantiver o dedo no interruptor ou accionar o aparelho enquanto este estiver ligado podem ocorrer acidentes.
 - d) **Remova quaisquer chaves de ajuste ou de porcas antes de ligar a ferramenta eléctrica.** Chaves de porcas ou de ajuste fixadas a peças móveis do berbequim podem causar lesões.
 - e) **Não exceda as suas próprias capacidades.** Mantenha sempre o corpo em posição firme e de equilíbrio, o que lhe permite controlar melhor a ferramenta eléctrica em situações imprevistas.
 - f) **Use roupa apropriada.** Não use vestuário solto ou artigos de joalharia. Mantenha o cabelo e as roupas e luvas afastados das peças móveis. Roupas soltas, artigos de joalharia ou cabelos compridos podem ser agarrados por peças em movimento.
 - g) **Se forem fornecidos dispositivos para a montagem de unidades de extracção ou recolha de resíduos, assegure-se de que são montados e utilizados adequadamente.** A utilização destes dispositivos pode reduzir os perigos relacionados com a presença de resíduos.
 - h) **Não permita que a familiaridade obtida do uso frequente de ferramentas o tornem complacente o o faça ignorar os princípios de segurança da ferramenta.** Uma ação descuidada pode causar lesões graves numa fração de segundo.
- #### 4) Utilização e manutenção da ferramenta eléctrica
- a) **Não force a ferramenta.** Utilize a ferramenta eléctrica apropriada para cada aplicação. A utilização da ferramenta eléctrica apropriada executa o trabalho de forma melhor e mais segura, à velocidade para a qual foi concebida.
 - b) **Não utilize esta ferramenta se o interruptor estiver deficiente, não ligando ou desligando.** Qualquer ferramenta eléctrica que não possa ser controlada pelo interruptor é perigosa e deve ser reparada.
 - c) **Desligue a ficha da tomada eléctrica e/ou remova o conjunto de pilhas, caso seja possível removê-lo, da ferramenta eléctrica antes de realizar quaisquer ajustes, substituir acessórios ou armazenar ferramentas eléctricas.** Estas medidas de segurança preventivas reduzem o risco de activação accidental da ferramenta.
 - d) **Quando não estiver a usar a ferramenta eléctrica, guarde-a fora do alcance das crianças e não deixe que esta seja utilizada por pessoas que não a conheçam, nem tenham lido as instruções.** As ferramentas eléctricas são perigosas nas mãos de utilizadores inexperientes.
 - e) **Realize a manutenção de ferramentas eléctricas e acessórios.** Verifique quaisquer desalinhamentos, encaixes de peças móveis, quebras e outras condições que possam afectar o funcionamento. Se esta ferramenta estiver avariada, mande-a reparar antes a utilizar. Muitos acidentes são causados pela manutenção deficiente de ferramentas eléctricas.

- f) **Mantenha as ferramentas de corte limpas e afiadas.** *As ferramentas de corte com manutenção adequada e arestas de corte afiadas têm menos probabilidades bloquear e são mais fáceis de controlar.*
- g) **Utilize a ferramenta eléctrica, acessórios, brocas, etc. em conformidade com estas instruções e da forma prevista para este tipo específico de ferramenta, tendo em conta as condições presentes e o trabalho a executar.** *A utilização de ferramentas eléctricas para aplicações diferentes daquelas a que se destinam pode levar a situações de perigo.*
- h) **Mantenha as pegas e as superfícies de aderência secas, limpas e sem óleo e massa lubrificante.** *As pegas e superfícies de aderência escorregadias não permitem o manuseamento e controlo seguros da ferramenta em situações inesperadas.*
- 5) **Assistência técnica**
- a) **A sua ferramenta eléctrica só deve ser reparada por um técnico de assistência qualificado e devem ser apenas utilizadas peças de substituição genuínas, mantendo assim a segurança da ferramenta.**

INSTRUÇÕES DE SEGURANÇA PARA TODAS AS SERRAS

PROCEDIMENTOS DE SERRAR

PROCEDIMENTOS DE CORTE

- a)  **ADVERTÊNCIA:** Mantenha as mãos afastadas de área de corte e da lâmina. Mantenha uma das mãos no manípulo auxiliar ou na caixa do motor. *Se segurar a serra com as duas mãos, não há perigo de serem cortadas pela lâmina.*
- b) **Não tenha nem coloque nada por baixo da peça de trabalho.** *Por baixo da peça de trabalho, a protecção não pode defendê-lo da lâmina.*
- c) **Ajuste a profundidade de corte à espessura da peça de trabalho.** *Por baixo da peça de trabalho, deve ficar visível pelo menos um dente completo de toda a lâmina.*
- d) **Nunca segure com as mãos uma peça que estiver a cortar, nem a apoie nas pernas. Fixe a peça de trabalho numa plataforma estável.** *É importante apoiar a peça de trabalho adequadamente para minimizar o risco de exposição do corpo, prisão da lâmina ou perda de controlo.*
- e) **Segure a ferramenta eléctrica agarrando nas superfícies isoladas quando realizar um trabalho em que a ferramenta de corte possa estar em contacto com cablagem oculta ou com o próprio cabo.** *O contacto com um fio "sob tensão" também expõe as partes metálicas da ferramenta eléctrica "sob tensão" e pode causar um choque eléctrico ao operador.*
- f) **Quando serrar madeira no sentido do comprimento utilize sempre um calço ou uma régua como guia.** *Isto melhora a exactidão do corte e reduz as hipóteses de prisão da lâmina.*
- g) **Utilize sempre lâminas com a dimensão correcta e o formato (diamante versus circular) dos orifícios do veio.** *As lâminas que não coincidam com as peças de montagem da serra funcionarão excentricamente, causando a perda de controlo.*
- h) **Nunca utilize as anilhas ou a porca da lâmina danificadas ou impróprias.** *As anilhas e a porca da lâmina foram concebidas especificamente para a sua serra, para um rendimento e segurança do trabalho óptimos.*

INSTRUÇÕES DE SEGURANÇA ADICIONAIS PARA TODAS ÀS SERRAS.

CAUSAS E MEDIDAS DE PREVENÇÃO DO OPERADOR CONTRA O RECUCO

- o recuo é uma reacção repentina quando uma lâmina da serra está entalada, presa ou desalinhada, que provoca o descontrolo da serra e faz com saia da peça de trabalho na direcção do operador;
- quando a lâmina está entalada ou presa no fecho do entalhe, a lâmina encrava e o motor reage movendo rapidamente a unidade para trás na direcção do operador;
- Se a lâmina estiver torcida ou desalinhada durante o corte, os dentes na extremidade de retorno podem descer mais fundo na superfície superior da madeira, fazendo com que a lâmina salte do entalhe e recue na direcção do operador.

O recuo é o resultado de uma má utilização e/ou procedimentos ou condições de funcionamento incorrectos, que poderá evitar se tomar as precauções abaixo descritas.

- a) **Segure bem na pega com as duas mãos na serra e coloque os braços de forma a resistir às forças de recuo. Posicione o corpo em cada lado da lâmina, mas não em paralelo com a lâmina.** *O recuo poderá fazer com que lâmina salte para trás, mas as forças de recuo podem ser controladas pelo operador se forem tomadas precauções adequadas.*
- b) **Quando a lâmina estiver presa ou o corte for interrompido por qualquer razão, solte o gatilho e segure na serra imóvel no material até a lâmina parar completamente.** *Nunca tente tirar a serra da peça de trabalho ou puxar a serra para trás enquanto a lâmina estiver em movimento, caso contrário pode ocorrer o recuo. Investigue e aplique medidas correctivas para eliminar a causa de prisão da lâmina.*
- c) **Quando voltar a utilizar a serra na peça de trabalho, centre a lâmina da serra no entalhe e verifique se os dentes da lâmina não estão encravados no material.** *Se a lâmina da serra estiver presa pode avançá-la ou recuá-la da peça de trabalho, e a serra volta a funcionar.*
- d) **Painéis de suporte grandes para minimizar o risco de entalçamento ou de recuo da lâmina. Os painéis grandes tendem a vergar sob ao seu próprio peso.** *Os suportes devem ser colocados por baixo do painel em ambos os lados próximo da linha de corte e da extremidade do painel.*
- e) **Não utilize lâminas desgastadas ou danificadas.** *Quaisquer conjuntos de lâminas em más condições ou não afiados provocam o atrito excessivo, a prisão da lâmina e o recuo.*
- f) **As alavancas de bloqueio e de ajuste do ângulo e profundidade da lâmina, devem estar bem fixas antes de iniciar o corte.** *Quaisquer alterações de ajuste da lâmina durante o corte podem causar prisões e recuos.*
- g) **Tome precauções adicionais quando fizer um "corte profundo" em paredes falsas ou outras superficies já existentes.** *A lâmina saliente pode cortar objectos que podem provocar o recuo.*

INSTRUÇÕES DE SEGURANÇA PARA UMA SERRA CIRCULAR COM PROTECÇÃO PENDULAR INTERIOR

FUNCIONAMENTO DA PROTECÇÃO INFERIOR

- a) **Verifique se protecção inferior está correctamente fechada antes de cada utilização. Não trabalhe com a serra se a protecção inferior não se mover livremente e fechar repentinamente. Nunca fixe nem aperte a protecção inferior na posição de aberta. Se a serra cair acidentalmente, a protecção inferior pode ficar dobrada. Levante a protecção inferior com o manípulo de retracção, certifique-se de que a protecção se move livremente e não toque na lâmina ou em quaisquer outras peças, em todos os ângulos e profundidades de corte.**
- b) **Verifique o funcionamento da mola da protecção inferior. Se a protecção e a mola não funcionarem correctamente têm que ser reparadas antes da utilização. A protecção inferior pode funcionar lentamente devido a peças danificadas, resíduos pegajosos ou acumulação de resíduos.**
- c) **A protecção inferior só deve ser recuada manualmente para cortes especiais, tais como "cortes profundos" e "cortes mistos". Levante a protecção inferior pelo manípulo de retracção, e assim que a lâmina entrar no material, a protecção inferior pode ser libertada. Para todos os outros cortes, a protecção inferior deve funcionar automaticamente.**
- d) **Verifique sempre se a protecção inferior está a cobrir a lâmina, antes de colocar a serra na bancada ou no chão. Uma lâmina sem protecção e inclinada pode fazer com a serra ande para trás, cortando tudo o que estiver no seu caminho. Tenha atenção ao tempo que a lâmina demora a parar depois de o interruptor ser activado.**

REGRAS DE SEGURANÇA ADICIONAIS DA SERRA CIRCULAR

1. Utilize apenas lâminas de serra recomendadas pelo fabricante que possuam conformidade com a EN 847-1, caso se destine a utilização em madeira ou materiais análogos.
2. Não utilize quaisquer rodas abrasivas.
3. Utilize diâmetros de serras apenas de acordo com as indicações.
4. Identifique a lâmina de serra correta a utilizar para o material a cortar.
5. Utilize apenas lâminas de serra que estejam marcadas com uma velocidade igual ou superior à velocidade marcada na ferramenta.

SÍMBOLOS



Para reduzir o risco de ferimentos o utilizador deve ler o manual de instruções



AVISO



Usar protecção ocular



Usar protecção para os ouvidos



Usar máscara contra o pó



Usar luvas de protecção



Duplo isolamento



Os equipamentos eléctricos não devem ser depositados com o lixo doméstico. Se existirem instalações adequadas deve reciclá-los. Consulte a sua autoridade local para tratamento de lixos ou fornecedor para obter aconselhamento sobre reciclagem.



Bloquear



Desbloquear

LISTA DE COMPONENTES

1. PUNHO FRONTAL	11. PARAFUSO DA LÂMINA
2. INVÓLUCRO DO MOTOR	12. LÂMINA DE SERRA
3. GUIA PARALELA	13. ALAVANCA MAIS BAIXA DE GUARDA
4. BLOQUEIO EM BISEL DA PLACA DE BASE	14. ADAPTADOR DE VÁCUO
5. GUIA PARALELA	15. GUARDA FIXA
6. BOTÃO DE BLOQUEIO DO GUIA PARALELO	16. INTERRUPTOR DE SEGURANÇA PARA LIGAR/DESLIGAR
7. RANHURA DA GUIA DE CORTE	17. BOTÃO DE TRAVAMENTO
8. GUARDA DE LÂMINA INFERIOR	18. ALAVANCA DE AJUSTE DA PROFUNDIDADE DE CORTE
9. PLACA BASE	19. CHAVE HEX
10. FLANGE EXTERIOR	20. BOTÃO DE BLOQUEIO DO EIXO

Nem todos os acessórios ilustrados ou descritos estão incluídos na entrega padrão.

DADOS TÉCNICOS

Tipo DX59 (59 - designação de máquina, representativo de serra circular)

Tensão nominal	220-240V~50/60Hz	
Potência nominal	1400W	
Sem velocidade de carga	5800/min	
Classe de proteção	□/II	
Dimensão da lâmina	185mm	
Furo da lâmina	16mm	
Capacidade de corte		
	90°	65mm
	45°	45mm
Capacidade de chanfro		0-45°
Peso da máquina		4.06kg

INFORMAÇÃO DE RUÍDO


Pressão de som avaliada	L_{pA} : 89.9 dB (A)
Potência de som avaliada	L_{wA} : 100.9 dB (A)
K_{pA} & K_{wA}	3.0 dB (A)
Usar proteção para os ouvidos.	

INFORMAÇÃO DE VIBRAÇÃO

Os valores totais de vibração (soma de vectores triaxiferos) são determinados de acordo com a normativa EN 62841:	
Valor da emissão da vibração	Cortar madeira: $a_{n,W} = 1.62 \text{ m/s}^2$ (Alça principal)
	Cortar madeira: $a_{n,W} = 3.32 \text{ m/s}^2$ (Punho auxiliar)
	Instabilidade K = 1.5 m/s ²

O valor total de vibração declarado e o valor de emissão de ruído declarado foram medidos de acordo com um método de teste normalizado e poderão ser utilizados para comparar ferramentas entre si.

O valor total de vibração declarado e o valor de emissão de ruído declarado também poderão ser utilizados numa avaliação preliminar da exposição.

 **AVISO:** A vibração e as emissões de ruído durante o uso efetivo da ferramenta elétrica podem diferir do valor declarado, em função das formas como a ferramenta é utilizada, especialmente no que se refere ao tipo de peça de trabalho que é processada em função dos seguintes exemplos e de outras variações sobre como a ferramenta é utilizada: O modo como a ferramenta é utilizada, os materiais a cortar ou perfurar.

A ferramenta estar em boas condições e bem conservada.

A utilização do acessório correcto para a ferramenta e a garantia de que está afiado e em boas condições.

A tensão de aderência nas pegas e se são utilizados acessórios anti-vibração e ruído.

Se a ferramenta é utilizada para o objectivo para o qual foi concebida e segundo as instruções.

Esta ferramenta pode causar síndrome de vibração mão-braço, se não for adequadamente utilizada.



AVISO: Para ser preciso, uma estimativa do nível de exposição nas condições actuais de utilização deve ter em conta todas as partes do ciclo de operação, como os tempos em que a ferramenta está desligada e quando está em funcionamento, mas inactiva, ou seja, não realizando o seu trabalho. Isto poderá reduzir significativamente o nível de exposição durante o período total de trabalho.

Ajudar a minimizar a sua vibração e risco de exposição ao ruído.

Utilize sempre formões, brocas e lâminas afiadas.

Mantenha esta ferramenta de acordo com as instruções e bem lubrificada (quando aplicável).

Se a ferramenta tiver de ser utilizada regularmente, invista em acessórios anti-vibração e anti-ruído.

Planeie o seu horário de trabalho de forma a distribuir a utilização de ferramentas de alta vibração ao longo de vários dias.

ACESSÓRIOS

Adaptador de vácuo	1
Chave hex	1
Guia paralelo	1
Lâmina Da Serra	1

Recomendamos que você compre seus acessórios na mesma loja que vendeu a ferramenta. Consulte a embalagem dos acessórios para mais detalhes. O pessoal da loja pode ajudá-lo e oferecer conselhos.

INSTRUÇÕES SOBRE OPERAÇÃO



NOTA: Antes de usar a ferramenta, leia o livro de instruções cuidadosamente.

USO PRETENDIDO

A máquina destina-se ao corte longitudinal e transversal de madeira com linhas retas, bem como ângulos de chanfro de 45°, enquanto repousa firmemente na peça de trabalho.

MONTAGEM

1. MONTAGEM E REMOÇÃO DA LÂMINA DE SERRA (VER FIG. A1, A2, A3)

Prima o botão de bloqueio do veio e utilize a chave sextavada interior para remover o parafuso do disco de corte (11). Remova a flange exterior (10). Gire a proteção inferior do disco de corte no sentido horário, empurrando a alavanca da proteção para retirar o disco de corte usado (12). Instale um novo disco de corte. Certifique-se de que o furo do disco de corte está localizado na flange interna (a) e a seta de direção da rotação do disco de corte aponta na mesma direção que a seta na proteção fixa. Instale a flange exterior e o parafuso do disco de corte no furo do disco de corte. Prima o botão de bloqueio do veio e utilize a chave sextavada interior para apertar o parafuso 1/4 de volta mais do que o aperto apenas à mão. Verifique se o disco de corte está bem apertado.



AVISO: Os dentes da lâmina são muito afiados.

Para obter melhores resultados de corte, use uma lâmina de serra adequada ao material e à qualidade de corte necessária.

2. AJUSTE A PROFUNDIDADE DE CORTE(VER FIG. B)

Solte o botão de trava da profundidade de corte e levante o corpo da serra para longe da placa de base. Defina a

profundidade do corte com a escala e aperte o botão de trava da profundidade de corte para travar. Sempre adicione 3 mm à sua profundidade de corte para que a lâmina possa cortar o material.

3. AJUSTE DO ÂNGULO DA PLACA BASE (VER FIG. C1,C2)

Levante o bloqueio do chanfro da placa de base no sentido anti-horário para afrouxar a escala de ângulo. Incline a placa da base da máquina até que o ângulo de corte necessário seja ajustado na escala de ângulos. Bloqueie o bloqueio do chanfro pressionando-a para baixo. Não use a escala de profundidade de corte ao fazer cortes chanfrados devido a uma possível imprecisão.

4. TOMADA DE EXTRAÇÃO DE POEIRA (VER FIG. D)

Prenda o adaptador de vácuo na saída de extração de poeira no sentido horário até travar. Prenda adicionalmente o adaptador de vácuo à guarda fixa com os dois parafusos. Conecte diretamente uma mangueira de vácuo adequada ao adaptador. **Limpe regularmente o adaptador de vácuo para garantir a melhor extração de poeira. O aspirador de pó deve ser adequado para o material a ser trabalhado.**

5. AJUSTE DO GUIA PARALELO(VER FIG. E)

É usado para fazer cortes paralelos a uma borda da peça a uma distância escolhida. Deslize o braço guia paralelo através do dispositivo para alcançar a distância de corte necessária e depois aperte o botão de trava para prender. Para cortes retos, use a marca de orientação 0° para alinhar com sua escala de guia paralela. Para um corte chanfrado de 45°, use a marca de guia de 45° para alinhar com sua escala de guia paralela. Prenda firmemente a guia paralela.

NOTA: É melhor realizar um corte experimental.

OPERAÇÃO

1. POSIÇÃO GRAMPO DA MÃO (VER FIG. F)

Sempre segure sua serra firmemente com as duas mãos ao operar.

2. LIGAR E DESLIGAR (VER FIG. G)

O seu interruptor está bloqueado para impedir o arranque accidental. Pressione o botão de bloqueio, depois o interruptor ligar / desligar e solte o botão de trava. O seu interruptor está ativado agora. Para desligar, basta soltar o interruptor ligar / desligar.

A lâmina pode continuar girando após desligar. AVISO! Aguarde até a máquina parar completamente antes de pousar.

SUGESTÕES DE TRABALHO PARA A SUA SERRA CIRCULAR

Se sua ferramenta elétrica ficar muito quente, ajuste a velocidade para o máximo e não opere carga por 2-3 minutos para esfriar o motor. Evite o uso prolongado em velocidades muito baixas. Sempre use uma lâmina adequada ao material e à espessura do material a ser cortado. Sempre verifique se a peça de trabalho está firmemente suportada ou presa para impedir o movimento. Para

um controle mais fácil, use a velocidade baixa para iniciar o corte e aumente para a velocidade correta. Qualquer movimento do material pode afetar a qualidade do corte. A lâmina corta no curso para cima e pode lascas a superfície ou a face superior da peça de trabalho. Certifique-se de que sua superfície superior não seja visível quando seu trabalho terminar. Um avanço demasiado rápido reduz significativamente o desempenho da máquina e diminui a vida útil do disco de corte. Volte sempre para baixo o lado bom da peça de trabalho para garantir um mínimo de farpas. Utilize apenas discos de serra afiados e do tipo adequado.

MANUTENÇÃO

Retire o cabo de alimentação da tomada antes de efectuar quaisquer ajustamentos, reparações ou manutenção.

A sua ferramenta não requer qualquer lubrificação ou manutenção adicional. Na sua ferramenta eléctrica, não existem componentes susceptíveis de serem substituídos pelo utilizador. Nunca utilize água ou produtos químicos para limpar a sua ferramenta. Limpe-a com um pano macio e seco. Guarde sempre a sua ferramenta num local seco. Mantenha as ranhuras de ventilação do motor devidamente limpas. Se observar a ocorrência de faíscas nas ranhuras de ventilação, isso é normal e não danificará a sua ferramenta. Se o cabo de alimentação estiver danificado, este deve ser substituído pelo fabricante, seu agente autorizado ou pessoal técnico qualificado para evitar qualquer situação de perigo.

PROTECÇÃO AMBIENTAL



Os equipamentos eléctricos não devem ser depositados com o lixo doméstico. Se existirem instalações adequadas deve reciclá-los. Consulte a sua autoridade local para tratamento de lixos ou fornecedor para obter aconselhamento sobre reciclagem.

DECLARAÇÃO DE CONFORMIDADE

Nós,
POSITEC Germany GmbH
Postfach 32 02 16, 50796 Cologne, Germany

Declaramos que o produto
Descrição: **Serra circular**
Tipo **DX59 (59 - designação da máquina, representante de uma serra de disco)**
Função **Cortar vários materiais com um disco de serra rotativo**

Cumpra as seguintes Directivas:
2006/42/EC, 2014/30/EU, 2011/65/EU&(EU)2015/863

Normas em conformidade com:

EN 62841-1
EN 62841-2-5
EN 55014-1
EN 55014-2
EN IEC 61000-3-2
EN 61000-3-3

Pessoa autorizada a compilar o ficheiro técnico,
Nome **Marcel Filz**
Endereço **POSITEC Germany GmbH**
Postfach 32 02 16, 50796 Cologne, Germany



2021/05/20
Allen Ding
Engenheiro-chefe adjunto,
Teste e Certificação
Positec Technology (China) Co., Ltd
18, Dongwang Road, Suzhou Industrial
Park, Jiangsu 215123, P. R. China

BRUKSANVISNING I ORIGINAL PRODUKTSÄKERHET GENERELLA SÄKERHETSVARNINGAR FÖR ELVERKTYG

! Varning: Läs alla säkerhetsföreskrifter, instruktioner, illustrationer och specifikationer som följer med detta elverktyg. Underlåtelse att följa instruktionerna nedan kan leda till elstöt, brand och/eller allvarlig skada.

Spara alla varningar och instruktioner för framtida bruk.

Termene "strömförande verktyg" i alla varningsmeddelande nedan avser ditt (sladdverktyg) strömförande verktyg eller batteridrivna (sladdlösa) strömförande verktyg.

1) ARBETSOMRÅDET

- Håll arbetsområdet rent och väl upplyst. Skräpiga och mörka områden är skaderisker.
- Använd inte strömförande verktyg i explosiva miljöer, som nära brandfarliga vätskor, gaser eller damm. Strömförande verktyg skapar gnistor som kan antända damm eller ångor.
- Håll barn och åskådare borta när du använder ett strömförande verktyg. Distractioner kan göra att du förlorar kontrollen.

2) ELSÄKERHET

- Stickkontaktarna till verktyget måste matcha eluttaget. Modifiera inte stickkontakten på något sätt. Använd inte adapterkontakter i samband med jordade strömförande verktyg. Omodifierade stickkontakter och matchande eluttag minskar risken för elstöt.
- Undvik kroppskontakt med jordade ytor som rör, element, spisar och kylskåp. Det finns en större risk för elstötter om din kropp är jordad.
- Exponera inte strömförande verktyg för regn eller fuktiga förhållanden. Kommer det in vatten i ett strömförande verktyg ökar det risken för elstötter. Bära, dra eller dra ut stickkontakten för det
- Missbruka inte sladden. Använd aldrig sladden för att strömförande verktyget. Håll sladden borta från hetta, olja, skarpa kanter eller rörliga delar. Skadade eller tilltrasslade sladdar ökar risken för elstötter.
- När du använder ett strömförande verktyg utomhus använder du en förlängningsladd som lämpar sig för utomhus bruk. Använder du en sladd för utomhus bruk reducerar du risken för elstötter.
- Om det inte går att undvika att driva ett elverktyg i en fuktig lokal, använd då en restströmsskyddad (RCD) strömtillförselanordning. Användning av en RCD minskar risken för elektriska stötter.

3) PERSONLIG SÄKERHET

- Var uppmärksam, håll ögonen på vad du gör och använd sunt förnuft när du använder ett strömförande verktyg. Använd inte ett strömförande verktyg när du är trött eller påverkad av droger, alkohol eller läkemedel. En kort stund av uppmärksamhet med strömförande verktyg kan resultera i allvarliga personskador.
- Använd säker utrustning. Använd alltid skyddsglasögon. Säkerhetsutrustning som munskydd, halkfria skor, skyddshjälm eller hörselskydd som används när det behövs kommer att reducera personskador.
- Förhindra ofrivillig start. Se till att kontakten är i off-läge

innan du ansluter till strömkälla och/eller batterienhet, tar upp eller bär med dig verktyget. Bär du strömförande verktyg med fingret på kontakten eller sätter i stickkontakten i eluttaget när kontakten är i PÅ-läge utgör det en skaderisk.

- Ta bort alla skiftnycklar eller skruvnycklar innan du sätter på det strömförande verktyget. En skift- eller skruvnyckel som lämnas kvar på en roterande del på ett strömförande verktyg kan orsaka personskador.
- Sträck dig inte för långt. Bibehåll alltid fotfästet och balansen. Detta gör att du kan kontrollera verktyget bättre i oväntade situationer.
- Klä dig rätt. Använd inte löst sittande kläder eller smycken. Håll ditt hår och dina kläder borta från rörliga delar. Lösa kläder, smycket eller långt hår kan snärjas in i rörliga delar.
- Om det på enheterna finns anslutning för dammsug och dammupsamling ser du till att de är anslutna och används korrekt. Använder du dessa anordningar reducerar det dammrelaterade faror.
- Låt inte förtrogenhet, tack vare frekvent användning av verktyget, lura dig att känna dig för tryggt med det och därmed ignorera säkerhetsföreskrifterna. En vårdslös handling kan orsaka allvarlig skada inom loppet av en sekund.

4) ANVÄNDNING OCH UNDERHÅLL AV STRÖMFÖRANDE VERKTYG

- Forcera inte det strömförande verktyget. Använd korrekt verktyg för arbetet. Det korrekta verktyget kommer att göra jobbet bättre och säkrare med den hastighet den tillverkats för.
- Använd inte verktyget om kontakten inte sätter på eller stänger av det. Alla strömförande verktyg som inte kan kontrolleras med kontakten är farliga och måste repareras.
- Koppla bort kontakten från strömkällan och/eller ta bort batterierna, om de är löstagbara, från elverktyget, innan du utför några justeringar, ändrar I tillbehören eller magasinerar elverktygen. Sådana förebyggande säkerhetsåtgärder reducerar risken för att du startar verktyget oavsiktligt.
- Förvara verktyget som inte används utom räckhåll för barn och låt inte någon person använda verktyget som inte känner till verktyget eller dessa anvisningar. Strömförande verktyg är farliga i händerna på utbildade användare.
- Håll koll på elverktyget och tillbehören. Kontrollera inriktningen eller fästet för rörliga delar, defekta delar och alla andra saker som kan påverka användningen av elverktyget. Om den skadats måste elverktyget repareras före användning. Många olyckor orsakas av felaktigt underhållna elverktyg.
- Håll sågverktyget skarpa och rena. Korrekt underhållna skärverktyg med skarpa egg kommer inte att köra fast lika ofta och är enklare att kontrollera.
- Använd elverktyget, tillbehören och verktygsbitsen etc. i enlighet med dessa anvisningar och på det sätt som avsetts för varje typ av elverktyg. Ha också i åtanke arbetsförhållandena och arbetet som skall utföras. Använder du elverktyg för åtgärder som skiljer sig det avsedda arbetet kan det resultera i riskfyllda situationer.
- Håll handtag och greppytorna torra, rena och fria från olja och fett. Håll handtag och greppytorna ger inte säker hantering och kontroll över verktyget i oväntade situationer.

5) UNDERHÅLL

- a) Låt ditt elverktyg underhållas av en kvalificerad reparatör som bara använder äkta reservdelar. Det kommer att garanteras att elverktygets säkerhet bibehålls.

SÄKERHETSINSTRUKTIONER FÖR ALLA SÅGAR

SÅGMETOD

- a)  **WARNING:** Håll händerna borta från sågområdet och från bladet. Håll den andra handen på hjälphandtaget eller på motorhuset. Om båda händerna håller sågen kan de inte skadas av sågbladet.
- b) För inte in händerna under arbetsstycket. Sågsyddet kan inte skydda dig från bladet under arbetsstycket.
- c) Ställ in sågduppet till arbetsstyckets tjocklek. Mindre än en hel tand på bladet ska synas under arbetsstycket.
- d) Håll aldrig arbetsstycket med händerna eller över benet. Sätt fast arbetsstycket i ett stabilt underlag. Det är viktigt att arbetsstycket får ett ordentligt stöd för att minimera risken för personskador, undvika klämning av bladet eller att kontrollen över maskinen förloras.
- e) Håll elverktyget med isolerande handskar vid sågning där sågbladet kan komma i kontakt med dolda elektriska ledningar eller med den egna sladden. En kontakt med en spänningsförande ledning gör att även alla andra utvändiga metalldelar av verktyget blir spänningsförande och kan ge användaren en elektrisk chock.
- f) Vid klyvsågning, använd alltid ett klyvstaket eller en styrning för rak kant. Detta förbättrar noggrannheten på sågsnittet och minskar risken att bladet kärvar.
- g) Använd alltid blad med rätt storlek och form för axelhål. Blad som inte passar sågens fästarrangering kommer att arbeta excentriskt så att du förlorar kontrollen över maskinen.
- h) Använd aldrig skadade eller felaktiga bladbrickor eller bultar. Bladbrickorna och bulten är särskilt konstruerade för sågen för optimala egenskaper och säker användning.

YTTERLIGARE SÄKERHETSINSTRUKTIONER FÖR ALLA SÅGAR

FÖR ATT FÖRHINDRA REKYLER

- Re kyl uppstår plötsligt när sågklingan är klämd, böjd eller felaktigt inriktad, och gör att en okontrollerad såg lyfts upp och ut från arbetsstycket mot användaren;
- När klingan är snävt klämd eller böjd på grund av att hållaren går ner kommer klingan att stoppa och motorn för enheten mycket snabbt tillbaka mot användaren;
- Om klingan blir för böjd eller felaktigt inriktad i sågspåret kommer tänderna på den bakre änden av klingan att gå ner djupt i träets yta och göra att den förs ut ur hållaren och hoppar tillbaka mot användaren.

En rekyl uppstår på grund av att sågen används felaktigt och/eller på grund av felaktigt bruk eller förhållanden och kan undvikas med hjälp av åtgärderna som beskrivs nedan.

- a) **Bibehåll ett fast grepp med båda händerna på sågen och håll armarna på ett sådant sätt att det motverkar rekylar. Håll kroppen på en av sidorna om klingan, men inte i såglinjen. En rekyl gör att sågen hoppar tillbaka, men rekylar kan kontrolleras av användaren, om nödvändiga åtgärder utförs.**
- b) När bladet kör fast eller när en sågning avbryts av någon anledning, släpper du på knappen och håller sågen stilla

i materialet tills klingan stoppar helt. Försök aldrig ta bort sågen från arbetsstycket eller dra den tillbaka samtidigt som klingan rör på sig eller rekyl kan uppstå. Kontrollera och vidta nödvändiga åtgärder för att eliminera orsaken till att klingan kör fast.

- c) När du startar om sågen i arbetsstycket, centrerar du sågklingan i hållaren och kontrollerar att sågtänderna inte vidrör materialet. Om klingan kör fast kan den hoppa upp eller framkalla rekyl från arbetsstycket när sågen startas om.
- d) Håll fast stora paneler för att minimera risken för att bladet kläms fast eller rekylar. Stora paneler kan svika under sin egen vikt. Man måste placera stöd under panelen på båda sidor, när såglinjen och nära panelens kant.
- e) Använd inte slöa eller skadade klingor. Oslipade eller felaktigt isatta klingor i hållaren skapar överdriven friktion, gör att sågen fastnar och orsakar rekyl.
- f) Justerspakarna för klingans djup och fäsning måste vara spända innan sågningen görs. Om klingans justering växlar vid sågningen kan det göra att klingan kör fast eller rekylar.
- g) Var extra försiktig när du gör en "sänksågning" i väggar eller andra otydliga områden.

SÄKERHETSINSTRUKTIONER FÖR CIRKELSÅG MED INRE PENDELSKYDD NEDRE SKYDDSFUNKTION

- a) Kontrollera det undre skyddet så att det stängts säkert före varje användning. Använd inte sågen om det undre skyddet inte kan flyttas fritt och stängs direkt. Spänn eller bind aldrig fast det undre skyddet i öppen position. Om sågen tappas kan det undre skyddet böjas. Lyft på det undre skyddet med handtaget och se till att det rörs fritt och inte vidrör klingan eller andra delar, i alla sågvinklar och -djup.
- b) Kontrollera fjädern på det undre skyddet. Om skyddet och fjädern inte fungerar korrekt måste de repareras före användning. Det undre skyddet kan fungera dåligt på grund av skadade delar, gummiavlagringar eller ansamlad skräp.
- c) Det undre skyddet bör bara dras tillbaka manuellt för specialsågning som "sänksågning" och "sammansatt sågning". Hög det undre skyddet genom att dra tillbaka handtaget och så snart klingan går ner i materialet, måste det undre skyddet släppas. Vid alla annan sågning bör det undre skyddet fungera automatiskt.
- d) Se alltid till att det undre skyddet täcker klingan innan du placerar sågen på en bänk eller ett golv. En oskyddad klinga gör att sågen rör sig bakåt och säger allt i dess väg. Vad medveten om den tid det tar för klingan att stanna efter att kontakten släppts.

YTTERLIGARE SÄKERHETSREGLER FÖR DIN CIRKELSÅG

1. Använd endast sågblad rekommenderad av tillverkaren, som överensstämmer med en EM 847-1, om sågen är avsedd för trä och liknande material.
2. Använd inte cirkelsågen för att såga trägrenar eller stockar.
3. Använd endast klingdiameter i enlighet med markeringarna.
4. Identifiera det korrekta sågbladet som ska användas för materialet som ska skäras.
5. Använd endast ett sågblad som är märkt med en hastighet lika med eller högre än den hastighet som markeras på verktyget.

SYMBOLER



För att minska risken för skador måste användaren läsa bruksanvisningen



Varning



Använd skyddsglasögon



Använd hörselskydd



Använd skyddsmask



Använd skyddshandskar



Dubbel isolering



Uttjänade elektriska maskiner får inte kasseras som hushållsavfall. Använd återvinningsfaciliteter om det finns tillgängligt. Kontrollera med din återförsäljare eller vilka lokala föreskrifter som föreligger.



Lås



Lå upp

COMPONENT LIST

1. FRÄMRE HANDTAG	11. BLADBULT
2. MOTORHÖLJE	12. SÅGBLAD
3. BOTTENPLATTANS VINKELSKALA	13. NEDRE SKYDDSSPAKEN
4. BOTTENPLATTANS LÅS FÖR AVFASNING	14. VAKUUMADAPTER
5. PARALLELLANSLAG	15. FAST SKYDD
6. PARALLELSTYRNING MED LÅSRATT	16. SÄKERHETSBRYTARE FÖR PÅ/AV
7. URTAG FÖR SKÄRBLAD	17. LÅSKNAPP AV
8. NEDRE BLADSKYDD	18. SPÅK FÖR JUSTERING AV SKÅRDJUP
9. BOTTENPLATTA	19. HEXNYCKEL
10. YTTRE FLÄNS	20. SPINDELLÅSKNAPPEN

Alla tillbehör beskrivna eller avbildade nedan medföljer inte standardprodukten.

TEKNISKA DATA

Typ DX59 (59 - betegnelse på maskiner, representant for Sirkelsag)

Spänning		220-240V~50/60Hz
Ingångsström		1400W
Hastighet utan belastning		5800/min
Skyddsklass		□/II
Klingdiameter		185mm
Bladhål		16mm
Max. sågdjup		
	90°	65mm
	45°	45mm
Fasningskapacitet		0-45°
Maskinens vikt		4.06kg

BULLERINFORMATION

Uppmätt ljudtryck	L_{pA} : 89.9 dB (A)
Uppmätt ljudstyrka	L_{wA} : 100.9 dB (A)
K_{pA} & K_{wA}	3.0 dB (A)
Använd hörselskydd.	

VIBRATIONSINFORMATION

Vibrationernas totalvärden (triax vektorsumma) är fastställda enligt EN 62841:	
Vibrationsutsändningsvärde:	Sågning av trä: $a_{h,w} = 1.62 \text{ m/s}^2$ (Huvudhandtag)
	Sågning av trä: $a_{h,w} = 3.32 \text{ m/s}^2$ (Extrahandtag)
	Osäkerhet $K = 1.5 \text{ m/s}^2$

Det angivna totala vibrationsvärdet och det angivna bullervärdet har uppmätts i enlighet med en standardtestmetod och kan användas för att jämföra ett verktyg med ett annat.

Det angivna totala vibrationsvärdet och det angivna bullervärdet kan också användas i en preliminär exponeringsbedömning.



WARNING: Vibrationer och buller vid användning av elverktyget kan skilja sig från det angivna värdet beroende på vilket sätt verktyget används på, särskilt vilken typ av arbetsstycke som bearbetas beroende på följande exempel och andra varianter på hur verktyget används:

Hur verktyget används och materialet som skärs eller borras.

Verktyget är i bra skick och bra underhållet.

Användning av korrekt tillbehör för verktyget och säkerställ att de är skarpa och i bra skick.

Åtdragningsgraden av greppet på handtagen och om några antivibrations- och bullertillbehör används.

Och att verktyget används såsom avsett enligt dess konstruktion och dessa instruktioner.

Detta verktyg kan orsaka hand-arm vibrationssyndrom om det används på felaktigt sätt.



WARNING: För att vara korrekt bör en beräkning av exponeringsnivån under verkliga förhållanden vid användning också tas med för alla delar av hanteringscykeln såsom tiden när verktyget är avstängt och när det körs på tomgång utan att utföra något arbete. Detta kan betydligt minska exponeringsnivån över den totala arbetsperioden.

Hjälp för att minimera din exponering för vibrationer och buller.

Använd ALLTID skarpa mejslar, borrar och blad.

Underhåll verktyget i enlighet med dessa instruktioner och håll det välsmört (där så behövs).

Om verktyget ska användas regelbundet investera då i antivibrations- och bullertillbehör.

Planera ditt arbetsschema för att sprida ut användning av kraftigt vibrerande verktyg över flera dagar.

TILLBEHÖR

Vakuumadapter	1
Hexnyckel	1
Parallellstyrning	1
Såg blad	1

Vi rekommenderar att du köper alla dina tillbehör från samma affär där du köpte verktyget. Se avsnittet med arbetstips i denna bruksanvisning eller tillbehörets förpackning för mer information. Affärspersonalen kan också hjälpa dig och ge dig råd.

BRUKSANVISNINGAR



NOTERA: Läs instruktionsboken noggrant innan du använder verktyget.

MULIG BRUK

Maskinen er designet for langsgående og tværgående av tre med rette skjæringlinjer, samt beveling vinkler på 56° mens skrålene hviler godt på arbeidsstykke.

MONTERING

1. FÄSTA OCH PLOCKA BORT SÅGBLADET (SE FIG A1, A2, A3)

Tryck på knappen för spindellåset och använd insexnyckeln för att skruva loss och ta bort bladbulnen (11). Ta bort den yttre

flänsen (10). Vrid det nedre bladskyddet medurs genom att trycka på skyddsspaken för att ta ut det gamla bladet(12). Montera ett nytt blad. Se till att bladhålet är placerat på den inre flänsen (a) och att pilen för bladets riktning pekar i samma riktning som pilen för det fasta skyddet. Placera den yttre flänsen, bladbulnen på bladets hål. Tryck på spindellåset igen och använd insexnyckeln för att dra åt bulnen med 1/4 varv mer än fingertram. Kontrollera att bladet är ordentligt fastklämt.



WARNING: Sågbladets tänder är mycket vassa. För bästa resultat vid kapning, se till att du använder ett sågblad som passar materialet och kvaliteten på snittet som du behöver.

2. JUSTERING AV KAPDJUPET (SE FIG B)

Lift låsspaken för skärdjupet och lyft sedan bort sågkroppen från bottenplattan. Ställ in skärdjupet med skalan och tryck ner

spaken för att låsa. 3 mm ska läggas till för ditt skärddjup så att bladet kan skära igenom materialet.

3. JUSTER VINKELN PÅ GRUNNPLATE (SE FIG. C1, C2)

Løft rammelåsen på systemet mot urviseren för å løse vinkelskalaen. Vipp grunnplate bort fra maskinen til den nødvendige skjærevinkelen er satt til vinkelskalaen. Lås rammelåsen ved å trykke ned. Ikke bruk dybde skjære skalaen ved skjæring av beveling skjære på grunn av mulig unøyaktighet.

4. STØVAVSUG (SE FIG. D)

Fest vakuuadaptet til støvavsugmedklokken til den lukkes. Fest også vakuuadaptet til fast beskyttelse med begge skruene. Koble en egnet sugeslange direkte til adapteren.

Regjør vakuuadaptet regelmessig for å sikre optimal støvavsug. Damsugaren måste vara lämplig for materialet som ska bearbetas.

5. PARALLELL VÅGLEDA (SE FIG. E)

Brukes til å gjøre skjære parallelt med en kant av arbeidsstykke på en velger avstand. Skyv parallellfølgeguide gjennom enheten for å nå ønsket skjæring avstand og stram låsekappen for klem For rette skjære, bruk 0°-guide merke til å justere med parallellguide skalaen. For en 45° beveling kopp, bruk 45-graders guidemerke for å justere det med parallell guide skalaen. Trygt klem parallell guide godt.

OBS: Det er best å gjøre en test skjære.

DRIFT

1. HAND GREPP OMRÅDE (SE FIG. F)

Hold alltid sag godt med begge hender når den brukes.

2. BYTTE PÅ OG AV (SE FIG. G)

Bryteren er låst av for å hindre at den starter. Trykk på låse av knappen til venstre eller høyre, og slå deretter låse av knappen på/av. Bryteren er på. For å stंगा av maskinen, slapp på / av-omkopplaren.

Blad kan fortsette å rotere etter at du har bytte av! Vent til maskinen stopper helt før du slår den av.

ARBETSTIPS FÖR DIN RUNDSÅG

Om elverket blir för varmt, kör din cirkelsåg utan belastning i 2-3 minuter för att kyla av motorn. Undvik långvarig användning vid mycket låga hastigheter. Använd alltid ett blad som passar materialet och tjockleken som ska skäras. Kvaliteten på snittet kommer att förbättras när antalet sågtänder ökar.

Se alltid till att arbetsstycket hålls stadigt eller fastklämt för att förhindra rörelser. Stöd stora paneler nära skärinjen. Varje rörelse av materialet kan påverka kvaliteten på snittet. Bladet skär i det uppåtgående slaget och kan flisa den översta ytan eller kanterna på ditt arbetsstykke. När du skär, se till att din översta yta är en icke synlig yta när ditt arbete är klart. Allt för snabb matning försämrar maskinens prestanda avsevärt och förkortar sågbladets livslängd. Se alltid till att arbetsstyckets goda sida pekar nedåt för att säkerställa minsta möjliga flisning. Endast vassa sågblad av rätt typ ska användas.

UNDERHÅLL

Ta bort pluggen från hållaren innan du gör några anpassningar, servis eller underhåll.

Ditt verktyg kräver inte extra smörjning eller underhåll. Det finns inga delar som kan repareras av användaren i verktyget. Använd aldrig vatten eller kemiska medel för att rengöra verktyget. Torka rent med en torr trasa. Förvara alltid verktyget på en torr plats. Håll motorns ventileringsöppningar rena. Håll alla arbetskontroller fria från damm. Ser du gnister i ventileringsöppningarna, är det normalt och kommer inte att skada till verktyg. Om strömkabeln är skadad och att undvika fara, måste den ersättas av tillverkaren, servis agenten eller liknande kvalificerad person.

MILJÖSKYDD



Uttjänade elektriska maskiner får inte kasseras som hushållsavfall. Använd återvinningsfaciliteter om det finns tillgängligt. Kontrollera med din återförsäljare eller vilka lokala föreskrifter som föreligger.

DEKLARATION OM ÖVERENSSTÄMMELSE

Vi,
POSITEC Germany GmbH
Postfach 32 02 16, 50796 Cologne, Germany

Förklarar att denna produkt,
Beskrivning **Cirkelsåg**
Typ **DX59 (59 - betegnelse på maskiner, representant for Sirkelsag)**
Funktion **Skärning av olika material med en roterande tandad blad**
Uppfyller följande direktiv:
2006/42/EC, 2014/30/EU, 2011/65/EU&(EU)2015/863

Standarder överensstämmer med
EN 62841-1
EN 62841-2-5
EN 55014-1
EN 55014-2
EN IEC 61000-3-2
EN 61000-3-3

Personen som godkänts att sammanställa den tekniska filen,
Namn **Marcel Filz**
Adress **POSITEC Germany GmbH**
Postfach 32 02 16, 50796 Cologne, Germany



2021/05/20
Allen Ding
Vice chefsingenjör, tester och certifiering
Positec Technology (China) Co., Ltd
18, Dongwang Road, Suzhou Industrial Park
Jiangsu 215123, P. R. China

ALKUPERÄISET OHJEET TUOTETURVALLISUUS YLEISET SÄHKÖTYÖKALUJEN TURVALLISUUTEEN LIITYVÄT VAROITUKSET

! VAROITUS Lue kaikki tämän sähkötyökalun mukana toimitetut varoitukset, ohjeet, kuvat ja tekniset tiedot. *Alla mainittujen ohjeiden noudattamisen laiminlyönti saattaa aiheuttaa sähköiskun, tulipalon ja/tai vakavan loukkaantumisen.*

Säilytä kaikki turvallisuus- ja muut ohjeet tulevaisuutta varten. Turvallisuusohjeissa käytetty käsite ”sähkötyökalu” käsittää verkkokäyttöisiä sähkötyökaluja (verkkojohdolla) ja akkukäyttöisiä sähkötyökaluja (ilman verkkojohtoa).

1) TYÖPAIKAN TURVALLISUUS

- Pyöskentelyalue puhtaana ja hyvin valaistuna.** Työpaikan epäjärjestys tai valaisemattomat työalueet voivat johtaa tapaturmiin.
- Älä työskentele sähkötyökalulla räjähdysalttiissa ympäristössä, jossa on palavaa nestettä, kaasua tai pölyä.** Sähkötyökalu muodostaa kipinöitä, jotka saattavat sytyttää pölyn tai höyryt.
- Pidä lapset ja sivulliset loitolla sähkötyökalua käyttäessäsi.** Voit menettää laitteesi hallinnan, huomioisi suuntautuessa muualle.

2) SÄHKÖTURVALLISUUS

- Sähkötyökalun pistotulpan tulee sopia pistorasiaan.** Pistotulppaa ei saa muuttaa millään tavalla. Älä käytä mitään pistorasia-adaptoreita maadoitettujen sähkötyökalujen kanssa. Alkuperäisessä kunnossa olevat pistotulpat ja sopivat pistorasiat vähentävät sähköiskun vaaraa.
- Vältä koskettamasta maadoitettuja pintoja, kuten putkia, pattereita, liesiä tai jääkaappeja.** Sähköiskun vaara kasvaa, jos kehosi on maadoitettu.
- Älä aseta sähkötyökalua alttiiksi sateelle tai kosteudelle.** Veden tunkeutuminen sähkötyökalun sisään kasvattaa sähköiskun riskiä.
- Älä käytä verkkojohtoa väärin.** Älä käytä sitä sähkötyökalun kantamiseen, vetämiseen tai pistotulpan irrottamiseen pistorasiasta. Pidä johto loitolla kuumuudesta, öljyistä, terävistä reunoista ja liikkuvista osista. Vahingoittuneet tai sotkutuneet johdot kasvattavat sähköiskun vaaraa.
- Käyttäessäsi sähkötyökalua ulkona, käytä ainoastaan ulkoikäyttöön soveltuvaa jatkojohtoa.** Ulkoikäyttöön soveltuvan jatkojohtoon käyttö pienentää sähköiskun vaaraa.
- Jos sähkötyökalun käyttö kosteassa ympäristössä ei ole välttävissä, tulee käyttää maavuotokatkaisijaa.** Maavuotokatkaisijan käyttö vähentää sähköiskun vaaraa.

3) HENKILÖTURVALLISUUS

- Ole valpas, kiinnitä huomiota työskentelyysi ja noudata tervettä järkeä sähkötyökalua käyttäessäsi.** Älä käytä sähkötyökalua, jos olet väsynyt tai huumeiden, alkoholin tahi lääkkeiden vaikutuksen alaisena. Hetken tarkkaamattomuus sähkötyökalua käytettäessä, saattaa johtaa vakavaan loukkaantumiseen.
- Käytä suojavarusteita.** Käytä aina suojalaseja. Henkilökohtaisen suojavarustuksen käyttö, kuten pölynaamarin, luistamattomien turvakengien, suojakypärän tai kuulonsuojaimien, riippuen sähkötyökalun lajista ja käyttötavasta, vähentää loukkaantumisriskiä.

- Vältä tahatonta käynnistämistä.** Varmista, että sähkötyökalu on poiskytketty, ennen kuin liität sen sähköverkkoon ja/tai liität akun, otat sen käteen tai kannat sitä. Jos kannat sähkötyökalua sormi käynnistyskytkimellä tai kytket sähkötyökalun pistotulpan pistorasiaan, käynnistyskytkimen ollessa käyntiasennossa, altistat itsesi onnettomuuksille.
 - Poista kaikki säätötyökalut ja ruuvitalat, ennen kuin käynnistät sähkötyökalun.** Työkalu tai avain, joka sijaitsee laitteen pyöriässä osassa, saattaa johtaa loukkaantumiseen.
 - Älä yllärioi itseäsi.** Huolehdi aina tukevasta seisomaasennosta ja tasapainosta. Täten voit paremmin hallita sähkötyökalua odottamattomissa tilanteissa.
 - Käytä tarkoitukseen soveltuvia vaatteita.** Älä käytä löysiä työvaatteita tai koruja. Pidä hiukset ja vaatteet poissa liikkuvien osien ulottuvilta. Väijät vaatteet, korut ja pitkät hiukset voivat takertua liikkuviin osiin.
 - Jos pölynimu- ja keräilylaitteita voidaan asentaa, tulee sinun tarkistaa, että ne on liitetty ja että ne käytetään oikealla tavalla.** Pölynimulaitteiston käyttö vähentää pölyn aiheuttamia vaaroja.
 - Työskentele keskittyneesti ja noudata aina turvallisuusmääräyksiä.** etkellinenkin huolimattomuus voi aiheuttaa vakavia vammoja.
- ## 4) SÄHKÖTYÖKALUJEN KÄYTTÖ JA HOITO
- Älä ylikuormita laitetta.** Käytä kyseiseen työhön tarkoitettua sähkötyökalua. Sopivaa sähkötyökalua käyttäen työskentelet paremmin ja varmemmin tehoalueella, jolle sähkötyökalu on tarkoitettu.
 - Älä käytä sähkötyökalua, jota ei voida käynnistää ja pysäyttää käynnistyskytkimestä.** Sähkötyökalu, jota ei enää voida käynnistää ja pysäyttää käynnistyskytkimellä, on vaarallinen ja se täytyy korjata.
 - Irrota pistotulppa pistorasiasta ja/tai irrota akku (jos irrotettava) sähkötyökalusta, ennen kuin suoritat säätöjä, vaihdat tarvikkeita tai viet sähkötyökalun varastoon.** Nämä turvatoinenpiteet pienentävät sähkötyökalun tahattoman käynnistysriskin.
 - Säilytä sähkötyökalut poissa lasten ulottuvilta, kun niitä ei käytetä.** Älä anna sellaisten henkilöiden käyttää sähkötyökalua, jotka eivät tunne sitä tai jotka eivät ole lukeene tätä käyttöohjetta. Sähkötyökalut ovat vaarallisia, jos niitä käyttävät kokemattomat henkilöt.
 - Pidä sähkötyökalut ja tarvikkeet hyvässä kunnossa.** Tarkista, että liikkuvat osat toimivat moitteettomasti, eivätkä ole puristuksessa sekä, että siinä ei ole murtuneita tai vahingoittuneita osia, jotka saattaisivat vaikuttaa haitallisesti sähkötyökalun toimintaan. Anna korjauttaa mahdolliset viat ennen käyttöönottoa. Monen tapaturman syyt löytyvät huonosti huolletuista laitteista.
 - Pidä leikkausterät terävinä ja puhtaina.** Huolellisesti hoidetut leikkausterätyökalut, joiden leikkausreunat ovat teräviä, eivät tartu helposti kiinni ja niitä on helpompi hallita.
 - Käytä sähkötyökaluja, tarvikkeita, vaihtotyökaluja jne. näiden ohjeiden mukaisesti.** Ota tällöin huomioon työolosuhteet ja suoritettava toimenpide. Sähkötyökalun käyttö muuhun kuin sille määrättyyn käyttöön, saattaa johtaa vaarallisiin tilanteisiin.
 - Pidä kahvat ja kädensijat kuivina ja puhtaina (öljyttöminä ja rasvattomina).** Jos kahvat ja kädensijat ovat liukkaita, et pysty ylläpitävissä tilanteissa ohjaamaan ja hallitsemaan työkalua turvallisesti.

5) HUOLTO

- Anna koulutettujen ammattihenkilöiden korjata sähkötyökalusia ja hyväksy korjauksiin vain alkuperäisiä varuosia.** Täten varmistat, että sähkötyökalu säilyy turvallisena.

TURVALLISUUSOHJEET KAIKILLE SAHOILLE

LEIKKAUSTOIMET

- a) VAROITUS** Pidä kädet erossa sahausalueelta ja terästä. Pidä toinen kätesi lisäkävällä tai moottorin kotelolla. Jos pitelet sahaa molemmilla käsillä, ne eivät voi osua terään.
- b) Älä kurota työkappaleen alle.** Suojus ei voi suojata sinua terästä työkappaleen alla.
- c) Säädä sahausvyövyys työkappaleen paksuuden mukaan.** Työkappaleen alta tulisi näkyä terää vähemmän kuin terän koko hampaan pituus.
- d) Älä koskaan pitele sahattavaa kappaletta käsissasi tai riesiesi päällä. Kiinnitä työkappale tukevaan alustaan.** Työkappaleen kunnollinen tuenta on tärkeää vartalon suojaamiseksi sekä terän jumittumisen tai sahan hallinnan menetyksen estämiseksi.
- e) Pitele sähkötyökäluu eristetyistä tartuntapinnoista työstäessäsi kohtia, joissa terä saattaa osua piilossa olevaan sähköjohtoon tai omaan virtajohtoonsa.** Kosketus viroitettuun johtoon viroittaa myös sähkötyökäluun paljaat metalliosat, ja käyttäjä saa sähköiskun.
- f) Käytä halkaisusahaussessa aina halkaisutukea tai reunan sahausohjainta.** Se parantaa sahaustarkkuutta ja vähentää terän jumittumisen mahdollisuutta.
- g) Käytä aina teriä, joissa on oikean kokoinen ja muotoinen karareikiä.** Sahan asennuskaraan sopimattomat terät pyöriivät epäkeskeisesti ja haittaavat sahan hallintaa.
- h) Älä koskaan käytä vaurioituneita tai vääranlaisia terän aluslevyjä tai karapultteja.** Terän aluslevyt ja karapultit ovat suunniteltuja nimenomaan sahalleksi sen parhaan suorituskyvyn ja käyttöturvallisuuden varmistamiseksi.

LISÄÄ KAIKKIEN SAHOJEN KÄYTTÖTURVATIEITOJA

TAKAPOTKUN SYYT JA KÄYTTÄJÄN TOIMET SEN ESTÄMISEKSI

- Takapotku on murtuneen, jumittuneen tai väärin kohdistetun sahanterän äkillinen liike taaksepäin, jolloin hallitsematon saha hypähtää ylös ja irti työkappaleesta käyttäjää kohti.
 - Kun sulkeutuva sahausuurre puristaa terää tiukasti terä pysähtyy ja moottorin voima heittää sahaa äkillisesti taaksepäin käyttäjää kohti.
 - Jos terä väännyy tai kohdistuu väärin sahausauraan, terän takareunan hampaat saattavat kaivautua puun yläpintaan aiheuttaen terän nousemisen ylös sahausurasta ja hypähtymisen taaksepäin kohti käyttäjää.
- Takapotku on seurausta sahan väärästä käytöstä ja/tai vääristä työtaavoista tai –olosuhteista, ja sitä voi välttää oikeilla ennakkotoimilla, joita selostetaan seuraavassa.

- a) Pidä kiinni sahasta tiukasti molemmin käsin ja aseta kätesi ottamaan vastaan takapotkun voimat. Pidä kehosi sahanterän sivulla, eikä sen kanssa samalla suoralla.** Takapotku voi saada sahan hyppäämään taaksepäin, mutta oikeilla ennakkotoimilla käyttäjä pystyy hallitsemaan takapotkun voimat.
- b) Sahan jumittaessa ja keskeytettäessä sahaus jostain syystä vapautta virtakatkaisin ja pidä sahaa paikallaan sahattavassa materiaalissa, kunnes terä pysähtyy täysin. Älä koskaan yritä poistaa sahaa työkappaleesta tai vetää sahaa taaksepäin terän ollessa liikkeessä, muuten saattaa syntyä**

takapotku. Tutki ja poista korjaustoimin terän jumittumiseen johtavat syyt.

- c) Käynnistettäessä saha uudestaan työkappaleessa kohdistaa saha sahausuran keskelle ja tarkasta, etteivät sahan hampaat ole kiinni materiaalissa.** Jos sahanterä jumittaa, se voi nousta ylös työkappaleesta tai potkaista taaksepäin kun saha käynnistetään uudestaan.
- d) Tue isot levyt terän jumittumisen ja takapotkun vaaran vähentämiseksi.** Suurilla levyillä on taipumus roikkua alas omasta painostaan. Levyjä täytyy tukea molemmilta sivuilta, läheltä sahauslinjaa ja läheltä levyä reunaa.
- e) Älä käytä tylsiä tai viallisia teriä.** Tylsyneet tai väärin haritetut terät sahaavat liian kapean uran aiheuttaen liikaa kitkaa, terän jumittumisia ja takapotkuja.
- f) Sahausvyövyden ja kallistuskulman säätojen lukitusvipujen täytyy olla kunnolla kiristettyjä ennen sahausta.** Jos terän säädöt muuttuvat sahausajan aikana, seurauksena voi olla jumittuminen ja takapotku.
- g) Ole erityisen varovainen sahattessasi valmiisiin seiniiin tai muihin paikkoihin, joiden taakse et näe.** Tunkeutuva terä saattaa sahata esineisiin, jotka aiheuttavat takapotkun.

TURVAOHJEET PYÖRÖSAHALLE JOISSA ON SISÄINEN HEILURI VARTIJA

ALASUOJUKSEN TOIMINTO

- a) Tarkista alemman teränsuojuksen asianmukainen sulkeutuminen ennen jokaista käyttöä.** Älä käytä sahaa, ellei alasuojus liuku esteettä ja sulkeudu välittömästi. Älä kiillaa tai sido alemmaa suojusta aukiasentoon. Jos saha putoaa vahingossa, alasuojus saattaa taipua. Nosta alasuojusta vivulla ja varmista, että se liukkuu esteettä eikä kosketa terään tai muihin osiin missään kulmassa/millään sahausvyövydellä.
- b) Tarkista alasuojuksen jousen toiminta.** Jos jousi ja jousi eivät toimi kunnolla, ne pitää huoltaa ennen sahan käyttöä. Alasuojus saattaa toimia laiskasti johtuen vaurioituneista osista, kumimaisista jätteistä tai sahanpurukerrostumista.
- c) Alasuojuksen saa kääntää terän päältä käsin vain erikoissaauksissa, kuten upotussaaukset ja jiirisahaaukset.** Nosta alasuojus vivustaan ja vapauta se heti, kun terä uppoo materiaaliin. Kaikessa muussa sahausessa alasuojuksen tulee antaa toimia automaattisesti.
- d) Varmista aina, että alempi teränsuojus peittää terän, ennen kuin lasket sahan työpöydälle tai lattialle.** Suojaamaton pyörivä terä siirtäisi sahaa taaksepäin, ja vahingoittaisi tielleen osuvia kohteita. Ota huomioon, että terä pyörii vielä jonkin aikaa kytkimen vapauttamisen jälkeen.

LISÄTURVALLISUUSOHJEET PYÖRÖSAHALLE

- Käytä vain sahanteräiä, joita valmistaja on suositellut, ja jotka ovat standardin EN 847-1 mukaisia, jos ne on tarkoitettu puulle ja vastaaville materiaaleille.
- Älä sahaa pyörösaahalla puiden oksia tai runkoja.
- Käytä vain merkintöjen mukaisia terän halkaisijoita
- Selvitä oikea sahanterä leikattavalle materiaalille.
- Käytä vain sahanteräiä, jotka on merkitty samalla toi korkeammalla nopeudella kuin työvälineeseen merkitty nopeus.

SYMBOLIT



Käyttäjän täytyy lukea ohjekirja loukkaantumisvaaran vähentämiseksi



Varoitus



Käytä suojalaseja



Käytä kuulosuojaimia



Käytä pölysuojainta



Käytä suojakäsineitä.



Kaksoiseristys



Käytettyjä sähkölaitteita ei saa heittää pois kotitalousjätteen mukana. Toimita ne kierrätyspisteeseen. Lisätietoja kierrätyksestä saa paikallisilta viranomaisilta tai jälleenmyyjältä.



Lukitse



Avaa

KONEEN OSAT

1. ETUKAHTA	11. TERÄN PULTTI
2. MOOTTORIKOTELO	12. SAHANTERÄ
3. POHJALEVYN KULMA-ASTEIKKO	13. ALEMMAN SUOJUKSEN VIPU
4. POHJALEVYN VIISTELUKKO	14. IMURISOVITIN
5. RINNAKKAISOHJAIN	15. KIINTEÄ SUOJUS
6. RINNAKKAISOHJAIMEN LUKITUSNUPPI	16. TURVAKYTKIN
7. LEIKKAUKSEN OHJAUSLOVI	17. LUKITUSPAINIKE
8. ALEMPI TERÄNSUOJUS	18. LEIKKAUSSYVYYDEN SÄÄTÖVIPU
9. POHJALEVY	19. KUUSIOKOLOAVAIN
10. ULOMPI LAIPPA	20. KARAN LUKITUSPAINIKE

Kaikki esitetyt tai kuvatut lisälaitteet eivät sisälly vakiovarustukseen.

TEKNISET TIEDOT

Tyyppi DX59 (59 - koneen nimitys, pyörösahan edustaja)

Nimellisjännite	220-240V~50/60Hz
Nimellisteho	1400W
Nopeus ilman kuormitusta	5800/min
Suojausluokka	□/II
Terän halkaisija	185mm
Terän käytävä	16mm
Leikkauksen maksimisyyvyys:	
90°	65mm
45°	45mm
Kaltevuuskyky	0-45°
Koneen paino	4.06kg

MELUPÄÄSTÖT

A-painotettu äänenpaine	L_{pA} : 89.9 dB (A)
A-painotettu ääniteho	L_{wA} : 100.9 dB (A)
K_{pA} & K_{wA}	3.0 dB (A)
Käytä kuulosuojaimia.	

TÄRINÄTASOT

EN 62841:n mukaiset kokonaistärinäarvot:	
Tärinäpäästö:	Puun leikkaus: $a_{h,w} = 1.62 \text{ m/s}^2$ (Pääkahva)
	Puun leikkaus: $a_{h,w} = 3.32 \text{ m/s}^2$ (Lisäkahva)
	Epävarmuus $K = 1.5 \text{ m/s}^2$

Ilmoitettu tärinän kokonaisarvo ja ilmoitettu melupäästöarvo on mitattu standarditestausten menetelmien mukaisesti, ja niitä voidaan käyttää verrattaessa työkaluja toisiinsa.

Ilmoitettua tärinän kokonaisarvoa ja ilmoitettua melupäästöjen arvoa voidaan myös käyttää alustavaan altistumisen arviointiin



VAROITUS: Työkalun käytön todelliset tärinäarvot saattavat poiketa annetuista arvoista riippuen työkalun käyttötavoista seuraavien määritelmien muiden käyttötapojen perusteella:

Kuinka työkalua käytetään ja mitä materiaaleja lahataan tai porataan.

Onko työkalu hyvässä kunnossa ja hyvin huollettu.

Käytetäänkö työkalussa oikeita lisävarusteita ja ovatko ne teräviä ja hyväkuntoisia.

Kahvojen otteen pitävyyttä, jos työkalussa käytetään tärinää estäviä lisävarusteita.

Käytetäänkö työkalua asianmukaisesti ja näitä ohjeita noudattaen.

Tämä työkalu saattaa aiheuttaa käsien/käsivarsien tärinäsyndrooman, jos laitetta ei käytetä oikein.



VAROITUS: Altistustason arvioinnissa tulee tarkkuuden vuoksi ottaa huomioon todelliset käyttöolosuhteet, mukaan lukien aika, kun työkalu on kytketty pois päältä ja kun se käy joutokäynnillä. Tämä saattaa vähentää koko työajan yhteenlaskettua altistusaikaa huomattavasti.

Tärinälle altistumisriskin vähentäminen.

Käytä AINA teräviä talttoja, poria ja teriä.

Huolla tätä työkalua ohjeiden mukaisesti ja pidä työkalu hyvin voideltuna (soveltuviissa kohdissa).

Jos työkalua käytetään säännöllisesti, hanki tärinää estävät lisävarusteet.

Vältä työkalun käyttämistä 10° C lämpötiloissa tai sitä viileämmässä.

Suunnittele työt siten, että paljon tärinää aiheuttavien töiden suorittaminen jakautuu usealle päivälle.

VARUSTEET

Imuri sovitin	1
Kuusiokoloavain	1
Parallel-opas	1
Sahanterä	1

Suosittelemme ostamaan kaikki tarvikkeet samasta liikkeestä, josta hankit koneen. Katso tarkemmat tiedot kyseisen tarvikkeen pakkauksesta. Saat apua ja neuvoja myös myymälän henkilökunnalta.

KÄYTTÖOHJEET



HUOM: Lue käyttöohjeet huolellisesti ennen työkalun käyttöä.

MAHDOLLINEN KÄYTTÖ

Kone on suunniteltu leikkaamaan pituussuunnassa ja sivusuunnassa suorilla leikkauslinjoilla ja puulla, jonka kallistuskulma on 56°, samalla kun se asetetaan tiukasti työkappaleeseen.

KOKOONPANO

1. SAHANTERÄN PAIKOILLEEN ASETUS JA IRROTUS (KS. KUVA A1, A2, A3)

Paina karan lukituspainiketta ja löysennä ja irrota terän pulti kuusiokoloavaimella (11). Irrota ulompi laippa (10). Käännä alemmaa teränsuojusta myötäpäivään työntämällä suojuksen vipua, jolloin vanha terä irtoaa (12). Aseta vaihtoterä paikoilleen. Varmista, että terän käytävä on sisemmässä laipassa (a) ja terän suuntanuoli osoittaa samaan suuntaan kuin kiinteän suojuksen nuoli. Aseta ulompi laippa ja terän pulti terän käyttävään. Paina karan lukituspainiketta uudelleen ja kiristä pulti

kuusiokoloavaimella 1/4 kierrosta sormitukkaa tiukemmaksi. Tarkista, että terä on kiinnittynyt turvallisesti.



VAROITUS: TERÄN HAMPAAT OVAT HYVIN TERÄVIÄ. Parhaan leikkaustuloksen armistamiseksi käytä materiaalille ja halutulle leikkauslaadulle sopivaa sahanterää.

2. LEIKKAUSSYVYYDEN SÄÄTÖ (KS. KUVA B)

Nosta leikkaussyvyyden lukituksen vipua ja nosta sahanrunko pohjalevystä. Aseta leikkaussyvyys asteikon avulla ja lukitse painamalla vipu alas. Lisää leikkaussyvyyteen aina 3 mm, jotta terä voi leikata materiaalin läpi.

3. PERUSLATTAKULJAN SÄÄTÖ (KATSO KUVA C1, C2)

Nosta pohjalevyn kulmalukkoa vastapäivään vapauttaaksesi kulma-asteikon. Kallista alustaa koneesta, kunnes haluttu leikkauskulma on säädetty kulma-asteikolla. Lukitse viistolukko painamalla viistolukkoa. Mahdollisten virheiden takia, älä koskaan käytä leikkaussyvyyttä kulmien liekkamiseen.

4. PÖLJEN POISTAMINEN (KATSO KUVA D)

Kiinnitä tyhjiösovitin pölyn poistoaukkoon, kunnes se jumittuu. Kiinnitä lisäksi tyhjiösovitin kahdella ruuvilla kiinteään suojaan. Kytkä sopiva tyhjiöletku suoraan adapteriin.

Puhdista pölysovitin säännöllisesti varmistaksesi pölyn optimaalisen poiston aina. Pölynimurin on oltava sopivaa prosessoitavalle materiaalille.

5. PARALLEL-OHJEEN SÄÄTÖ (KATSO KUVA E)

Sitä käytetään leikkaamaan työkappaleen reunan suuntaisesti valittua etäisyydeltä. Liu'uta rinnakkaisohjainvarsi kiinnittimen läpi vaaditun leikkausetaisyyden saavuttamiseksi ja kiristä sitten lukitusnuppi puristimeen. Suorassa leikkauksessa käytä 0° - ohjausmerkkiä kohdistaaaksesi yhdensuuntaisen ohjausasteikon kanssa. Suorita 45° viisteleikkauksessa 45° ohjausmerkillä kohdistaaaksesi yhdensuuntaisen ohjausasteikon kanssa. Kiinnitä rinnakkaiskisko tiukasti.

Huomautus: On parasta suorittaa koeikäyttö.

OPERAATIO

1. KÄSITTELYASEMA (KATSO KUVA F)

Pidä sahaa käytön aikana tukevasti molemmin käsin.

2. KYTKEMINEN PÄÄLLE JA POIS (KATSO KUVA G)

Päälle / pois-kytkimen käyttö Kytkin on nyt päällä. Kytke kone pois päältä vapauttamalla virtakytkin.

Sahassa on automaattinen sähköjarru, joka on suunniteltu estämään terän liukumista noin kolmen sekunnin ajan lipaisinkytkimen vapauttamisen jälkeen.

Sulkemisen jälkeen terä voi edelleen pyöriä. Odota, että kone pysähtyy kokonaan, ennen kuin teet asetuksia.

VINKKEJÄ PYÖRÖSAHALLA TYÖSKENTELYYN

Jos työkalu kuumenee liikaa, tyhjäkäytä pyörösahaa 2–3 minuutin ajan, jotta sen moottori jäähtyy. Vältä pitkäaikaista käyttöä matalilla nopeuksilla.

Käytä aina leikattavalle materiaalille ja sen paksuudelle sopivaa terää. Mitä enemmän terässä on hampaita, sitä laadukkaampi leikkausjälki.

Varmista aina, että työkappale on kiinnitetty tai puristettu tiukasti paikoilleen siten, että se ei liuku. Tue suuret levyt leikkauslinjan läheltä. Materiaalin liikkuminen voi vaikuttaa leikkaustulokseen. Terä leikkaa ylöspäin suuntautuvalla liikkeellä ja voi irrottaa lastuja työkappaleen yläpinnasta tai reunoista. Leikatessa varmista, että kappaleen ylin pinta jää näkymättömiin, kun kappale tulee käyttöön työstämisen jälkeen. Liian nopea syöttäminen heikentää koneen suorituskykyä ja lyhentää sahanterän käyttöikää. Aseta työkappaleen parempi puoli aina alaspäin, jotta halkeilu voidaan minimoida. Käytä vain teräviä ja oikeantyyppisiä sahanterä.

HUOLTO

Irrota sähköpistoke pistorasiasta ennen minkään säädön, huollon tai puhdistuksen tekemistä.

Kone ei vaadi voitelua eikä huoltoa. Koneen sisällä ei ole käyttäjän huollettavia osia. Älä käytä vettä tai kemiallisia puhdistusaineita koneen puhdistukseen. Pyyhi puhtaaksi kuivalla liinalla. Säilytä kone kuivassa paikassa. Pidä moottorin tuuletusaukot puhtaana. Pidä kytkimet ja säätimet pölyttöminä. Tuuletusaukoista näkyvä kipinänti on normaalia eikä vahingoita konetta.

Jos virtajohto on vahingoittunut, se on sähköiskun välttämiseksi jätettävä valmistajan, valtuutetun huoltoedustajan tai vastaavan pätevän sähkötekniikon vaihdettavaksi.

YMPÄRISTÖN SUOJELU



Käytettyjä sähkölaitteita ei saa heittää pois kotitalousjätteen mukana. Toimita ne kierrätyspisteeseen. Lisätietoja kierrätyksestä saa paikallisilta viranomaisilta tai jälleenmyyjältä.

VAATIMUSTENMUKAISUUS- VAKUUTUS

Me,
POSITEC Germany GmbH
Postfach 32 02 16, 50796 Cologne, Germany

Vakuuttaa täten, että tuote
Selostus **Käsioppyörösaha**
Tyyppi **DX59 (56 - koneen nimitys, pyörösa-
hahantyyppi)**
Toimintoa **Leikkaamalla erilaiset materiaalit pyörivä
hammastettu terä**

Täyttää seuraavien direktiivien määräykset:
2006/42/EC, 2014/30/EU, 2011/65/EU&(EU)2015/863

Yhdenmukaisuusstandardit
EN 62841-1
EN 62841-2-5
EN 55014-1
EN 55014-2
EN IEC 61000-3-2
EN 61000-3-3

Henkilö valtuutettu laatimaan tekninen tiedosto,
Nimi Marcel Filz
Osoite POSITEC Germany GmbH
Postfach 32 02 16, 50796 Cologne, Germany



2021/05/20
Allen Ding
Apulais Pääinsinööri, testaus ja sertifiointi
Positec Technology (China) Co., Ltd
18, Dongwang Road, Suzhou Industrial Park
Jiangsu 215123, P. R. China

OPPRINNELIGE INSTRUKSJONENE PRODUKTSIKKERHET GENERELLE ADVARSLER FOR ELEKTROVERKTØY

! **ADVARSEL** Les alle sikkerhetsanvisningene, instruksjonene, illustrasjonene og spesifikasjonene som følger med dette elektroverktøyet. Manglende overholdelse av anvisningene nedenfor kan medføre elektrisk støt, brann og/eller alvorlige personskader.

Ta godt vare på alle advarelsene og informasjonene.

Det nedenstående anvendte uttrykket "elektroverktøy" gjelder for strøm-drevne (med ledning) og batteridrevne elektroverktøy (uten ledning).

1) SIKKERHET PÅ ARBEIDSPLASSEN

- a) Hold arbeidsområdet rent og ryddig. Rotete arbeidsområder eller arbeidsområder uten lys kan føre til ulykker.
- b) Ikke arbeid med elektroverktøyet i eksplosjonsutsatte omgivelser – der det befinner seg brennbare væsker, gass eller støv. Elektroverktøy lager gnister som kan antenne støv eller damper.
- c) Hold barn og andre personer unna når elektroverktøyet brukes. Hvis du blir forstyrt under arbeidet, kan du miste kontrollen over elektroverktøyet.

2) ELEKTRISK SIKKERHET

- a) Støpselet til elektroverktøyet må passe inn i stikkkontakten. Støpselet må ikke forandres på noen som helst måte. Ikke bruk adapterstøpsler sammen med jordede maskiner. Bruk av støpsler som ikke er forandret på og passende stikkontakter reduserer risikoen for elektriske støt.
- b) Unngå kroppskontakt med jordede overflater slik som rør, ovner, komfyrer og kjøleskap. Det er større fare ved elektriske støt hvis kroppen din er jordat.
- c) Hold elektroverktøyet unna regn eller fuktighet. Dersom det kommer vann i et elektroverktøy, øker risikoen for elektriske støt.
- d) Ikke bruk ledningen til andre formål, f.eks. til å bære elektroverktøyet, henge den opp eller trekke den ut av stikkkontakten. Hold ledningen unna varme, olje, skarpe kanter eller maskindeler som beveger seg. Med skadede eller opphopede ledninger øker risikoen for elektriske støt.
- e) Når du arbeider utendørs med et elektroverktøy, må du kun bruke en skjøteledning som er godkjent til utendørs bruk. Når du bruker en skjøteledning som er egnet for utendørs bruk, reduseres risikoen for elektriske støt.
- f) Hvis det ikke kan unngås å bruke elektroverktøyet i fuktige omgivelser, må du bruke en jordfeilbryter. Bruk av en jordfeilbryter reduserer risikoen for elektriske støt.

3) PERSONSIKKERHET

- a) Vær oppmerksom, pass på hva du gjør, gå fornuftig frem når du arbeider med et elektroverktøy. Ikke bruk elektroverktøyet når du er trett eller er påvirket av narkotika, alkohol eller medikamenter. Et øyeblikks uoppmerksomhet ved bruk av elektroverktøyet kan føre til alvorlige skader.
- b) Bruk personlig verneutstyr og husk alltid å bruke vernebriller. Bruk av personlig sikkerhetsutstyr som støvmaske, sklifaste arbeidssko, hjelm eller hørselvern – avhengig av type og bruk av elektroverktøyet – reduserer risikoen for skader.

- c) Unngå å starte verktøyet ved en feiltagelse. Forviss deg om at elektroverktøyet er slått av før du kobler det til strømmen og/eller batteriet, løfter det opp eller bærer det. Hvis du holder fingeren på bryteren når du bærer elektroverktøyet eller kobler elektroverktøyet til strømmen i innkoblet tilstand, kan dette føre til uhell.
 - d) Fjern innstillingsverktøy eller skrunøkler før du slår på elektroverktøyet. Et verktøy eller en nøkkel som befinner seg i en roterende maskindel, kan føre til skader.
 - e) Ikke overvurder deg selv. Sørg for å stå stødig og i balanse. Dermed kan du kontrollere elektroverktøyet bedre i uventede situasjoner.
 - f) Bruk alltid egnede klær. Ikke bruk vide klær eller smykker. Hold hår og klær unna deler som beveger seg. Løstsittende tøy, smykker eller lang hår kan komme inn i deler som beveger seg.
 - g) Hvis det kan monteres støvavsug- og oppsamlingsinnretninger, må du forvise deg om at disse er tilkoblet og brukes på korrekt måte. Bruk av et støvavsug reduserer faren på grunn av støv.
 - h) Selv når du er blitt vant til verktøyet, må du ikke bli sløv og ignorere sikkerhetsreglene for verktøyet. En uforsiktig handling kan forårsake alvorlig personskade i løpet av et brøkdels sekund.
- ## 4) AKTSOM HÅNDTERING OG BRUK AV ELEKTROVERKTØY
- a) Ikke overbelast elektroverktøyet. Bruk et elektroverktøy som er beregnet til den type arbeid du vil utføre. Med et passende elektroverktøy arbeider du bedre og sikrere i det angitte effektområdet.
 - b) Ikke bruk elektroverktøy med defekt på-/avbryter. Et elektroverktøy som ikke lenger kan slås av eller på, er farlig og må repareres.
 - c) Trekk støpselet ut av stikkkontakten og/eller fjern batteriet (hvis demonterbart) før du utfører innstillinger på elektroverktøyet, skifter tilbehørsdeler eller legger elektroverktøyet bort. Disse tiltakene forhindrer en utilsikket start av elektroverktøyet.
 - d) Elektroverktøy som ikke er i bruk må oppbevares utgjengeligg for barn. Ikke la elektroverktøyet brukes av personer som ikke er fortrolig med dette eller ikke har lest disse anvisningene. Elektroverktøy er farlige når de brukes av uerfarne personer.
 - e) Vær nøye med vedlikeholdet av elektroverktøyet og tilbehøret. Kontroller om bevegelige maskindeler fungerer feilfritt og ikke klemmes fast, og om deler er brukt eller skadet, slik at dette innvirker på elektroverktøyet funksjon. La skadede deler repareres før elektroverktøyet brukes. Dårlig vedlikeholdte elektroverktøy er årsaken til mange uhell.
 - f) Hold skjæreverktøyene skarpe og rene. Godt stelte skjæreverktøy med skarpe skjær setter seg ikke så ofte fast og er lettere å føre.
 - g) Bruk elektroverktøy, tilbehør, verktøy osv. i henhold til disse anvisningene. Ta hensyn til arbeidsforholdene og arbeidet som skal utføres. Bruk av elektroverktøy til andre formål enn det som er angitt kan føre til farlige situasjoner.
 - h) Hold håndtak og gripelater tørre, rene og uten olje eller fett. Glatte håndtak og gripelater hindrer sikker håndtering og styring av verktøyet i uventede situasjoner.
- ## 5) Service
- a) Maskinen din skal alltid kun repareres av kvalifisert fagpersonale og kun med originale reservedeler. Slik opprettholdes elektroverktøyet sikkerhet.

SIKKERHETSINSTRUKSJONER FOR ALLE TILFELLER

INSTRUKSER FOR KUTTING

-  **ADVARSEL** Hold hendene vekk fra kutteområdet og kuttebladet. Hold den andre hånden enten på ekstrahåndtaket eller på motorhuset. Hvis begge hender holder sagen, kan de ikke bli kuttet av bladet.
- a) Ikke ta på undersiden av arbeidsstykket.** Vernet kan ikke beskytte deg fra bladet på undersiden av arbeidsstykket.
- c) Juster kuttebyrden til tykkelsen av arbeidsstykket.** Mindre enn en hel tann på tannbladet bør være synlig på undersiden av arbeidsstykket.
- d) Hold aldri stykket som skal kuttes med en hånd eller tvers over beinet ditt.** Forsikre deg om at arbeidsstykket har et stabilt underlag. Det er viktig å støtte/feste arbeidsstykket forsvarlig for å minimere kroppskontakt, låsing av bladet og tap av kontroll.
- e) Hold verktøyet på de isolerte gripetakene ved arbeidsoperasjoner hvor kutteredskapet kan komme i kontakt med skjulte elektriske kabler eller verktøyet egen strømkabel.** Kontakt med en strømførende kabel vil også gjøre metalldele på verktøyet strømførende og gi operatøren elektrisk støt.
- f) Ved saging på langs, bruk alltid en rett kantføring eller et annet føringshjelpemiddel.** Dette forbedrer kuttenøyaktigheten og reduserer sjansen for at bladet setter seg fast.
- g) Alltid bruk blad med riktig størrelse og riktig form på spindelhullet.** Blad som ikke passer sammen med monteringsinnretningene vil rotere eksentrisk og forårsake tap av kontroll.
- h) Aldri bruk sagbladskiver eller bolter som er ødelagt eller er av ukorrekt type.** Sagbladskivene og boltene ble laget spesielt for denne sagen, for optimal ytelse og sikker bruk.

VIDERE SIKKERHETSINSTRUKSJONER FOR ALLE SAGER

ÅRSAKER TIL TILBAKESLAG OG HVORDAN OPERATØREN KAN HINDRE DET

- Tilbakeslag er en plutselig reaksjon fra et fastlåst, klemt eller mistilpasset sagblad, som forårsaker at en sag som ikke er under kontroll vil løfte seg opp og ut fra arbeidsstykket, mot operatøren.
 - Når maskinen stoppes når et sagblad er fastklemt i sporet, vil bladet kunne stoppe så raskt at maskinen kan bli kastet tilbake mot operatøren.
 - Hvis bladet er blitt vridd, eller blir forskjøvet i kuttet, kan tennene bakerst på bladet grave seg inn i toppplaten på trevirket slik at bladet klatter ut av sporet og bli kastet bakover mot operatøren.
- Tilbakeslag er et resultat av feil bruk av sagen og/eller ukorrekte håndteringsprosedyrer eller driftsforhold, og kan unngås ved å ta nødvendige forholdsregler som beskrevet nedenfor.
- a) Oppretthold et fast grep med begge hendene på sagen og plasser armene dine slik at de motstår tilbakeslagskrefter. Plasser kroppen din til side for bladet, men ikke på linje med bladet.** Tilbakeslag kan forårsake at sagen hopper bakover, men tilbakeslagskrefter kan holdes under kontroll av operatøren hvis riktige forholdsregler blir tatt.
- b) Når bladet setter seg fast, eller når kuttingen av noen årsak avbrytes, slipp triggerknappen og hold sagen ubevegelig i**

materialet helt til bladet stopper fullstendig. Aldri forsøk å fjerne sagen fra arbeidsstykket eller trekke sagen bakover mens bladet er i bevegelse eller tilbakeslag kan inntreffe. Undersøk hvorfor bladet setter seg fast, og ta forholdsregler som fjerner årsaken til at bladet setter seg fast.

- c) Ved gjenoppstart av sagen i arbeidsstykket, sentrer sagbladet i sporet og sjekk at sagbladetene ikke sitter fast i materialet.** Hvis sagbladet sitter fast, kan det klare opp eller gi tilbakeslag fra arbeidsstykket når sagen startes på nytt.
- d) Støtt opp store plater for å minimere risikoen for tilbakeslag som følge av at bladet blir klemt fast.** Store plater har en tendens til synke sammen under sin egen vekt. Støtter må være plassert under platen på begge sider, nær kuttelinjen og nær enden av platen.
- e) Bruk ikke sløve eller ødelagte blad.** Uskarpe eller feilinnstilte sagblad kan gi for smalt spor som gir overdreven friksjon, slik at bladet setter seg fast og gir tilbakeslag.
- f) Bladdyden og de justerbare avfasingslåsespakene må festes stramt og sikkert for kutting.** Hvis bladjusteringen endrer seg under kutting, kan det forårsake låsing og tilbakeslag.
- g) Vær ekstra forsiktig når det saging i eksisterende vegger eller andre uoversiktlige områder.** Det utstående bladet kan kutte i objekter som kan forårsake tilbakeslag.

SIKKERHETSINSTRUKSJONER FOR SAGER MED INDRE PENDELVERN

FUNKSJON TIL NEDRE VERN

- a) Sjekk at den nedre beskyttelsen er forsvarlig låst for hvert bruk.** Ikke bruk sagen hvis den nedre beskyttelsen ikke kan beveges fritt og er lukket skikkelig. Aldri klem eller fest den nedre beskyttelsen i åpen posisjon. Hvis sagen mistes ved et uhell, kan den nedre beskyttelsen bli bøyd. Hev den nedre beskyttelsen med hendelen og sikre deg at den beveger seg fritt og ikke berører bladet eller andre deler, i alle vinkler og i dybde kutt.
- b) Sjekk funksjonaliteten til fjæren til den nedre beskyttelsen.** Hvis beskyttelsen og fjæren ikke fungerer skikkelig, må de bli reparert før bruk. Det hender at den nedre beskyttelsen blir treg å betjene på grunn av skadede deler, klebrige materialer eller oppbygging av rester.
- c) Den nedre bladbeskyttelsen må bare bli trukket tilbake manuelt for spesielle kutt som "formingskutt" og "sammensatte kutt".** Hev den nedre bladbeskytteren ved å trekke tilbake hendelen og så snart bladet møter materialet, skal du frigi beskyttelsen. For all annen type saging, må den nedre beskyttelsen operere automatisk.
- d) Sjekk alltid at den nedre beskyttelsen dekker bladet før du setter sagen ned på benken eller gulvet.** Et ubeskyttet, roterende blad vil forårsake at sagen går bakover, og kutter hva som måtte komme i dens vei. Vær oppmerksom på tiden det tar før bladet stopper etter at sagen er slått av.

EKSTRA SIKKERHETSREGLER FOR SIRKELSAGEN DIN

1. Bruk kun sagblad som er anbefalt av produsenten og som overholder EN 847-1, beregnet for tre og lignende materialer.
2. Ikke bruk slipeskiver.
3. Bruk kun bladdiameter(e) i henhold til markeringen.
4. Identifiser korrekt sagblad for materialet som skal kuttes.
5. Bruk kun sagblad som er merket med hastighet tilsvarende eller høyere enn hastigheten som er angitt på verktøyet.

SYMBOLER



For å redusere risikoen for personskade, må brukeren lese instruksjonsveiledningen



Advarsel



Bruk vernebriller



Bruk hørselsvern



Bruk støvmaske



Bruk vernehansker



Dobbel Isolasjon



Avfall etter elektriske produkter må ikke legges sammen med husholdningsavfall. Vennligst resirkuler avfallet der dette finnes. Undersøk hos de lokale myndighetene eller en detaljist for resirkuleringsråd.



Lås



Lås opp

KOMPONENTLISTE

1. FRONTHÅNDTAK	11. BLADETS BOLT
2. MOTORHUS	12. SAGBLAD
3. BUNNPLATENS VINKELSKALA	13. NEDRE BESKYTTELSESSPAK
4. BUNNPLATENS FASELÅS	14. VAKUUMADAPTER
5. PARALLELFØRING	15. MONTER VERN
6. LÅSEKNAPP FOR PARALLELFØRING	16. SIKKERHETS AV/PÅ-BRYTER
7. KUTTEFØRINGSKAKK	17. LÅS AV-KNAPP
8. NEDRE BLADVERN	18. JUSTERINGSSPAK FOR KUTTedybde
9. BUNNPLATE	19. SEKRANTNØKSEL
10. YTRE FLENS	20. SPINDELLÅSKNAPP

Ikke alle tilbehør avbildet og beskrevet over er inkludert i standardleveranse.

TEKNISKE DATA

Type DX56 (56-betegnelse på maskiner, representant for Sirkelsag)

Merkespenning	220-240V~50/60Hz	
Inngangseffekt	1400W	
Nominell Tomgangshastighet	5800/min	
Beskyttelsesklasse	□/II	
Bladdiameter	185mm	
Bladbor	16mm	
Maks. skjæredybde		
	90°	65mm
	45°	45mm
Skråkantkapasitet		0-45°
Maskinvekt		4.06kg

NOR

STØY INFORMASJON

Belastning lydtrykk	L_{pA} : 89.9 dB (A)
Belastning lydeffekt	L_{wA} : 100.9 dB (A)
K_{pA} & K_{wA}	3.0 dB (A)
Bruk hørselsvern.	

VIBRASJONS INFORMASJON

Totale vibrasjonsverdier satt i henhold til EN 62841:	
Vibrasjonutsendingsverdi:	Kutting av tre: $a_{h,W} = 1.62 \text{ m/s}^2$ (Hovedhåndtak)
	Kutting av tre: $a_{h,W} = 3.32 \text{ m/s}^2$ (Hjelpehåndtak)
	Usikkerhet $K = 1.5 \text{ m/s}^2$

Den oppgitte totale vibrasjonsverdien og den oppgitte støytstlippersverdien er målt i henhold til en standard testmetode og kan brukes for sammenligning av et verktøy med et annet.

Den oppgitte totale vibrasjonsverdien og den oppgitte støytstlippersverdien kan også brukes i en innledende eksponeringsvurdering.

⚠ ADVARSEL: Vibrasjons- og støynivå under faktisk bruk av verktøyet kan avvike fra oppgitt verdi, avhengig av hvordan verktøyet brukes og hvilken type materiale det brukes på, se følgende eksempler og andre variasjoner for bruk av verktøyet: Hvordan verktøyet brukes og hvilke materialer som kappes eller bores.

Verktøyet er i god stand og godt vedlikeholdt.

Bruk av riktig tilbehør for verktøyet, og sørg for at det er skarpt og i god stand.

Hvor stramt grepet på håndtakene er, og om det brukes antivibrasjonstilbehør.

Øg at verktøyet blir brukt til det formålet det er tilsiktet i henhold til designet og disse instruksjonene.

Dette verktøyet kan forårsake hånd-arm vibrasjonssyndrom, hvis det ikke brukes riktig.

⚠ ADVARSEL: For å være nøyaktig, bør også et overslag over eksponeringsnivå under faktiske bruksforhold også tas med i betraktning i alle deler av driftssyklusen, slik som når verktøyet er skrudd av og når det går på tomgang, men ikke faktisk gjør jobben. Dette kan redusere eksponeringsnivået betraktelig over hele arbeidsperioden.

Minimere eksponeringsrisiko for vibrasjon og støy.

Bruk ALLTID skarpe meisler, drillere og blad.

Vedlikehold verktøyet i henhold til disse instruksjonene og sørg for at det er godt smurt (der det er hensiktsmessig).

Investert i tilbehør for demping av vibrasjon og støy hvis verktøyet skal brukes regelmessig.

Planlegg arbeidstidplanen din slik at du sprer bruk av høyvibrasjonsverktøyet utover flere dager.

TILLEGGSTYR

Vakuumadapter	1
Sekskantnøkkel	1
Parallellanlegg	1
Sagblad	1

Vi anbefaler at du kjøper alt ekstrastyr fra butikken der du kjøpte dette verktøyet. Les på tilbehørspakningen for videre detaljer. Butikkpersonalet kan også gi hjelp og råd.

BRUKSANVISNING



MERK: Les bruksanvisningen nøye før du bruker verktøyet.

MULIG BRUK

Maskinen er designet for langsgående og tverrgående av tre med rette skjæringlinjer, samt beveling vinkler på 56° mens skrålslene hviler godt på arbeidsstykke.

MONTASJE

1. MONTERE OG FJERNE SAGBLAD (SE FIG. A1, A2, A3)

Trykk på spindellåseknappen og bruk unbrakonøkkel for å løsne og fjerne bladbolten (11). Fjern den ytre flensen

(10). Roter det nedre bladvernet med klokken ved å skyve beskyttelsesspaken for å ta ut det gamle bladet (12). Monter et byttet blad. Sørg for at bladboringen er plassert på den indre flensen (a) og at bladretningsspilen peker i samme retning som den faste vernepilen. Plasser den ytre flensen, bladbolten på bladboret. Trykk på spindellåsen igjen og bruk unbrakonøkkel til å stramme bolten med 1/4 omdreining mer enn fingerstram. Kontroller at bladet er godt fastklemt.



ADVARSEL: BLADETS TENNER ER VELDIG SKARPE. For best kutte resultat, må du bruke et sagblad som passer til materialet og kutte kvaliteten du trenger.

2. JUSTERE KUTTEDYBDE (SE FIG. B)

Løft låsespaken for kuttedybden og løft sagkroppen vekk fra

bunnplaten. Still inn skjæredybden med skalaen og skyv spaken ned for å låse. Legg alltid til 3 mm til skjæredybden slik at bladet kan skjære gjennom materialet.

3. JUSTER VINKELN PÅ GRUNNPLATE (SE FIG. C1, C2)

Løft rammelåsen på systemet mot urviseren for å løse vinkelskalaen. Vipp grunnplate bort fra maskinen til den nødvendige skjærevinkelen er satt til vinkelskalaen. Lås rammelåsen ved å trykke ned. Ikke bruk dybde skjære skalaen ved skjæring av beveling skjærer på grunn av mulig unøyaktighet.

4. STØVAVSUG (SE FIG. D)

Fest vakuuadaptet til støvavsugmedklokken til den lukkes. Fest også vakuuadaptet til fast beskyttelse med begge skruene. Koble en egnet sugeslange direkte til adaptoren.

Rengjør vakuuadaptet regelmessig for å sikre optimal støvavsug. Støvsugeren må være egnet for materialet som skal behandles.

5. PARALLELL GUIDE JUSTERING (SE FIG. E)

Brukes til å gjøre skjære parallelt med en kant av arbeidsstykke på en velger avstand. Skyv parallellførguide gjennom enheten for å nå ønsket skjæring avstand og stram låsekappen for klem For rette skjære, bruk 0° -guide merke til å justere med parallellguide skalaen. For en 45° beveling kopp, bruk 45-graders guidemerke for å justere det med parallel guide skalaen. Trygt klem parallell guide godt.

MERK: Det er best å gjøre en test skjære.

DRIFTS

1. HÅNDGREPS Plassen (SE FIGUR E)

Hold alltid sag godt med begge hender når den brukes.

2. BYTTE PÅ OG AV (SE FIGUR F)

Trykk av/på-bryteren Bryteren er på. Slipp av / på-bryteren for å slå av maskinen.

Sag har en automatisk elektrisk brems som er utformet for å stoppe lading av blad på omtrent tre sekunder, når du slipper avtrekkeren.

Blad kan fortsette å rotere etter at du har bytte av. Vent til maskinen stopper helt før du slår den av.

ARBEIDSTIPS FOR Sirkelsagen DIN

Hvis elektroverktøyet blir for varmt, kjøles sirkelsagen uten belastning i 2–3 minutter for å avkjøle motoren. Unngå langvarig bruk ved svært lave hastigheter.

Bruk alltid et blad som er tilpasset materialet og materialtykkelsen som skal kuttes. Kutte kvaliteten forbedres dersom antall bladtenner økes.

Sørg alltid for at arbeidsstykket holdes godt fast eller fastklemt for å forhindre bevegelse. Støtt store paneler nær kuttelinjen. Enhver bevegelse av materialet kan påvirke kvaliteten på kuttet. Bladet skjærer på det oppadgående slaget og kan hakke den øverste overflaten eller kantene på arbeidsstykket. Når du skjærer, må du sørge for at den øverste overflaten er den ikke-synlige overflaten på det ferdige arbeidet. For hurtig mating reduserer maskinens ytelse betydelig og forkorter levetiden til sagbladet. Plasser alltid den gode siden av arbeidsstykket ned, for å sikre minst mulig splinting. Bruk kun skarpe sagblad av riktig type.

VEDLIKEHOLD

Ta ut støpelet fra stikkontakten for du foretar justeringer, service eller vedlikehold.

Det elektriske verktøyet trenger ikke ytterligere smøring eller vedlikehold.

Det er ingen brukernyttige deler i det elektriske verktøyet. Bruk aldri vann eller kjemiske rensemidler for å rense verktøyet. Tørk av med en tørr klut. Du må alltid lagre verktøyet på en tørr plass. Hold alltid motorens ventilasjonskanaler rene. Hold alle betjeningskontrollene fri for støv. Hvis du ser gnister i ventilasjonskanalene, er dette normalt og vil ikke skade verktøyet.

Hvis den medfølgende ledningen er beskadiget må den erstattes av produsenten, serviceagenten eller andre kvalifiserte personer for å unngå risiko.

MILJØVERNILTAK



Avfall etter elektriske produkter må ikke legges sammen med husholdningsavfall. Vennligst resirkuler avfallet der dette finnes. Undersøk hos de lokale myndighetene eller en detaljist for resirkuleringsråd.

SAMSVARERKLÆRING

Vi,
POSITEC Germany GmbH
Postfach 32 02 16, 50796 Cologne, Germany

Erklærer at produktet
Beskrivelse **Sirkelsag**
Type **DX59 (59 - betegnelse på maskiner, representant for Sirkelsag)**
Funksjon **Skjæring ulike materialer med en roterende toothed blad**

Samsvarer med følgende direktiver:
2006/42/EC, 2014/30/EU, 2011/65/EU&(EU)2015/863

Standardene samsvarer med
EN 62841-1
EN 62841-2-5
EN 55014-1
EN 55014-2
EN IEC 61000-3-2
EN 61000-3-3

Personen som er autorisert til å utarbeide den tekniske filen,
Navn Marcel Filz
Adresse POSITEC Germany GmbH
Postfach 32 02 16, 50796 Cologne, Germany



2021/05/20
Allen Ding
Visesjefsingeniør, Testing og Sertifisering
Positec Technology (China) Co., Ltd
18, Dongwang Road, Suzhou Industrial Park
Jiangsu 215123, P. R. China

ORIGINAL BRUGSANVISNING

PRODUKTSIKKERHED

GENERELLE

SIKKERHEDSINSTRUKSER FOR EL-VÆRKTØJ

⚠ ADVARSEL: Læs alle sikkerhedsadvarsler, instruktioner, illustrationer og specifikationer, som følger med el-værktøjet. Tilfælde af manglende overholdelse af anvisningerne nedenfor er der risiko for elektrisk stød, brand og/eller alvorlige personskader.

Gem alle advarsler og instruktioner til senere brug.

Begrebet "el-værktøj" i advarselne refererer til el-værktøj, der kører på lysnettet, (med netkabel) samt akku-værktøj (uden netkabel).

1) SIKKERHED PÅ ARBEJDSPLADSEN

- Sørg for, at arbejdsområdet er rent og ryddeligt. Uorden eller uoplyste arbejdsområder øger faren for uheld.
- Brug ikke el-værktøjet i eksplosionstruede omgivelser, hvor der er brændbare væsker, gasser eller støv. El-værktøj kan slå gnister, der kan antænde støv eller dampe.
- Sørg for, at andre personer og ikke mindst børn holdes væk fra arbejdsområdet, når el-værktøjet er i brug. Hvis man distraheres, kan man miste kontrollen over el-værktøjet.

2) ELEKTRISK SIKKERHED

- El-værktøjets stik skal passe til kontakten. Stikket må under ingen omstændigheder ændres. Brug ikke adapterstik sammen med jordforbundet el-værktøj. Uændrede stik, der passer til kontakterne, nedsætter risikoen for elektrisk stød.
- Undgå kropskontakt med jordfødne overflader som f.eks. rør, radiatorer, kufurere og køleskabe. Hvis din krop er jordforbundet, øges risikoen for elektrisk stød.
- El-værktøjet må ikke udsættes for regn eller fugt. Indtrængning af vand i et el-værktøj øger risikoen for elektrisk stød.
- Brug ikke ledningen til formål, den ikke er beregnet til. Du må aldrig bære el-værktøjet i ledningen, hænge el-værktøjet op i ledningen eller rykke i ledningen for at trække stikket ud af kontakten. Beskyt ledningen mod varme, olie, skarpe kanter eller maskindele, der er i bevægelse. Beskadigede eller udviklede ledninger øger risikoen for elektrisk stød.
- Hvis el-værktøjet benyttes i det fri, må der kun benyttes en forlængerledning, der er egnet til udendørs brug, af forlængerledning til udendørs brug nedsætter risikoen for elektrisk stød.
- Hvis det ikke kan undgås at bruge el-værktøjet i fugtige omgivelser, skal der bruges et HFI-relæ. Brug af et HFI-relæ reducerer risikoen for at få elektrisk stød.

3) PERSONLIG SIKKERHED

- Det er vigtigt at være opmærksom, se, hvad man laver, og bruge el-værktøjet fornuftigt. Brug ikke noget el-værktøj, hvis du er træt, har nydt alkohol eller er påvirket af medicamenter eller euforiserende stoffer. Få sekunders uopmærksomhed ved brug af el-værktøjet kan føre til alvorlige personskader.
- Brug beskyttelsesudstyr og hav altid beskyttelsesbriller på. Brug af sikkerhedsudstyr som f.eks. støvmaske, skridsikert fodtøj, beskyttelseshjelm eller hørevern afhænger af maskintype og anvendelse nedsætter risikoen for personskader.
- Undgå utilsigtet igangsætning. Kontrollér, at el-værktøjet er slukket, før du tilslutter det til strømtilførsel og/eller akkuen,

løfter eller bærer det. Undgå at bære el-værktøjet med fingeren på afbryderen og sørg for, at el-værktøjet ikke er tændt, når det slutes til nettet, da dette øger risikoen for personskader.

- Gar det til en vane altid at fjerne indstillingsværktøj eller skruenøgle, før el-værktøjet tændes. Hvis et stykke værktøj eller en nøgle sidder i en roterende maskindele, er der risiko for personskader.
- Undgå en unormal legemssposition. Sørg for at stå sikkert, mens der arbejdes, og kom ikke ud af balance. Dermed har du bedre muligheder for at kontrollere el-værktøjet, hvis der skulle opstå uventede situationer.
- Brug egnet arbejdstøj. Undgå løse beklædningsgenstande eller smykker. Hold hår og tøj væk fra dele, der bevæger sig. Dele, der er i bevægelse, kan gribe fat i løstsiddende tøj, smykker eller langt hår.
- Sørg støvsugnings- og opsamlingsudstyr kan monteres, er det vigtigt, at dette tilsluttes og benyttes korrekt. Brug af en støvsugning kan reducere støvmængden og dermed den fare, der er forbundet støv.
- Selvom du kender værktøjet godt og er vant til at bruge det, skal du alligevel være opmærksom og overholde sikkerhedsanvisningerne. Et øjeblik uopmærksomhed kan medføre alvorlige personskader.

4) OMHYGGE LIG OMGANG MED OG BRUG AF EL-VÆRKTØJ

- Undgå overbelastning af el-værktøjet. Brug altid et el-værktøj, der er beregnet til det stykke arbejde, der skal udføres. Med det passende el-værktøj arbejder man bedst og mest sikkert inden for det angivne effektområde.
- Brug ikke et el-værktøj, hvis afbryder er defekt. Et el-værktøj, der ikke kan startes og stoppes, er farligt og skal repareres.
- Træk stikket ud af stikkontakten og/eller fjern akkuen, hvis den er aftagelig, før maskinen indstilles, før skift af tilbehørsdele eller før el-værktøjet lægges til opbevaring. Disse sikkerhedsforanstaltninger forhindrer utilsigtet start af el-værktøjet.
- Opbevar ubenyttet el-værktøj uden for børns rækkevidde. Lad aldrig personer, der ikke er fortrolige med el-værktøjet eller ikke har gennemlæst disse instrukser, benytte el-værktøjet. El-værktøj er farligt, hvis det benyttes af ukyndige personer.
- Vedligehold el-værktøj og tilbehørsdele. Kontrollér, om bevægelige maskindele fungerer korrekt og ikke sidder fast, og om delene er brækket eller beskadiget, således at el-værktøjets funktion påvirkes. Få beskadigede dele repareret, inden el-værktøjet tages i brug. Mange uheld skyldes dårligt vedligeholdte el-værktøjer.
- Sørg for, at skæreværktøjer er skarpe og rene. Omhyggeligt vedligeholdte skæreværktøjer med skarpe skærekanter sætter sig ikke så hurtigt fast og er nemmere at fjerne.
- Brug el-værktøj, tilbehør, indsatsværktøj osv. iht. disse instrukser. Tag hensyn til arbejdsforholdene og det arbejde, der skal udføres. Anvendelse af el-værktøjet til formål, som ligger uden for det fastsatte anvendelsesområde, kan føre til farlige situationer.
- Hold håndtag og gribeblader tørre, rene og fri for olie og smørefedt. Hvis håndtag og gribeblader er glatte, kan værktøjet ikke håndteres og styres sikkert, hvis der sker noget uventet.

5) Service

- Sørg for, at el-værktøj kun repareres af kvalificerede fagfolk og at der kun benyttes originale reservedele. Dermed sikres størst mulig maskinsikkerhed.

SIKKERHEDSANVISNINGER TIL ALLE SAVE

SKÆRINGSPROCEDURER

- a)  **ADVARSEL:** Hold hænderne væk fra saveområdet og savklingen. Hvis du bruger begge hænder til at holde saven, kan de ikke blive ramt af savklingen.
- b) **Ræk ikke ind under et arbejdsemne.** Styret kan ikke beskytte dig mod savklingen neden under arbejdsemnet.
- c) **Juster saveedybden i forhold til tykkelsen på arbejdsemnet.** Mindre end hel tand på klingens bør være synlig under arbejdsemnet.
- d) **Hold aldrig det emne, du saver i, i dine hænder eller hen over dine ben. Placer dit arbejdsemne på en stabil flade.** Det er vigtigt at understøtte dit emne omhyggeligt for at minimere risikoen for fare, for at savklingen binder eller at du mister kontrollen.
- e) **Hold på el-værktøjet på de isolerede gribeområder, når du udfører arbejde, hvor saven kan komme i kontakt med skult kabelføring eller dens egen ledning.** Kontakt med en 'ledende' ledning kan også gøre metaldele på værktøjet 'ledende' og give stød til brugeren.
- f) **Ved fræsning skal du altid bruge afskærmning af fræseren eller en kantretter.** Dette forbedrer nøjagtigheden på savningen og nedsætter risikoen for at savklingen binder.
- g) **Brug altid savklinger i den rigtige størrelse og med rigtig form på dornhuller.** Savklinger, der ikke matcher savens montering, vil køre excentrisk, hvilket kan medføre, at du mister kontrollen.
- h) **Brug aldrig beskadigede eller forkerte skiver eller bolte til klingen.** Skiver og bolte til klingens er specielt beregnet til din sav for at optimere ydelsen og sikkerheden ved brug.

FLERE SIKKERHEDSINSTRUKSER FOR ALLE SAVE

ÅRSAGER TIL OG BESKYTTELSE AF BRUGER MOD TILBAGESLAG

- Tilbageslag er en pludselig reaktion på klemning, modstand eller forkert justering af savklingen, der medfører, at saven ukontrolleret løftes op og ud af arbejdsemnet lige imod brugeren.
 - Når savklingen kommer i klemme eller begrænses af et snævert savsnit, når savklingen stagnerer, og motorreaktionen driver enheden hurtigt tilbage mod brugeren.
 - Hvis savklingen klemmes eller kører dårligt i savningen, hvis tænderne på bagkanten af klingens griber fat i træets overflade, som medfører, at klingens kører ud af savsnittet og hopper lige imod brugeren.
- Tilbageslag er en følge af forkert brug af saven og/eller forkerte arbejdsmetoder eller betingelser, der kan undgås ved at tage de forholdsregler, der er angivet nedenfor.
- a) **Hold godt fast med begge hænder på saven, og placer dine arme i en position, så de kan modstå tilbageslag. Placer din krop langs med en af siderne på klingens, men aldrig ud for klingens.** Tilbageslag kan medføre, at saven springer tilbage, men tilbageslag kan kontrolleres af brugeren, hvis der tages de fornødne forholdsregler.
- b) **Når klingens binder, eller når savning afbrydes af en hvilken som helst årsag, skal du trykke på udløseren og holde savens ubevægeligt i materialet, indtil klingens standser helt.** Forsøg aldrig at fjerne saven fra arbejdet, eller trække savens baglæns, mens klingens bevæger sig, da der ellers kan opstå tilbageslag. Undersøg og foretag de nødvendige rettelser, der kan forhindre, at klingens binder.

- c) **Når du genstarter en sav i et stykke arbejde, skal du placere savklingen i midten af savsnittet og kontrollere, at ingen af tænderne sidder fast i materialet.** Hvis savklingen binder, kan den bevæge sig opad og give tilbageslag fra arbejdet, når savens genstartes.
- d) **Understøt store plader for at minimere risikoen for at savklingen klemmes eller giver tilbageslag. Store plader har tendens til at hænge nedad på grund af deres egen vægt.** Understøtning skal placeres under pladen på begge sider tæt ved saveklingen og tæt ved pladens kant.
- e) **Brug ikke sløve eller beskadigede savklinger.** Savklinger, der er sløve eller forkerte, giver et smalt savsnit, som kan medføre for stor friktion, at klingens binder og medføre tilbageslag.
- f) **Klingens dybde og håndtag til justering af smig skal være spændte og sikre, før der saves.** Hvis klingens justering skifter, mens der saves, kan det medføre, at den binder eller giver tilbageslag.
- g) **Vær ekstra omhyggelig, når du savning i eksisterende vægge eller områder uden for synsvidde.** Den udstående savklinge kan save i emner, der kan give tilbageslag.

SIKKERHEDSANVISNINGER FOR SAVE MED INDRE PENDULAFSKÆRMNING MED NEDRE AFSKÆRMNING

- a) **Kontrollér, at den nedre afskærmning lukker korrekt inden hver brug.** Brug ikke saven, hvis den nedre afskærmning ikke kan bevæges frit og lukker korrekt. Fastlås aldrig den nedre afskærmning i åben position. Hvis savens tabs, kan den nedre afskærmning blive højet. Hæv den nedre afskærmning med håndtaget for at kontrollere, at det bevæger sig frit og ikke rører ved klingens eller andre dele. Dette skal kontrolleres for alle skærevinkler og -dybder.
- b) **Kontrollér, at fjederen i den nedre afskærmning fungerer.** Hvis afskærmningen og fjederen ikke fungerer korrekt, skal de repareres inden brug. Den nedre afskærmning kan bevæge sig langsomt på grund af beskadigede dele, harpikksaflejring eller akkumuleret snavs.
- c) **Den nedre afskærmning må kun trækkes tilbage manuelt til særlige saveopgaver, f.eks. stiksavning eller kombinerede snit.** Hæv den nedre afskærmning ved hjælp af håndtaget, og slip den, så snart klingens har kontakt med emnet. Til alle andre saveopgaver skal den nedre afskærmning fungere automatisk.
- d) **Kontrollér altid, at den nedre afskærmning dækker klingens, inden du sætter saven fra dig på arbejdsbordet eller gulvet.** Hvis klingens roterer og ikke er tildækket, vil den få savens til at rulle baglæns og save i alt, den støder ind i. Vær opmærksom på, at klingens er et stykke tid om at stoppe, når tænd/sluk-knappen slippes.

SÆRLIGE SIKKERHEDSREGLER TIL RUNDSAVEN

- Brug kun savklinger anbefalet af producenten, som er i overensstemmelse med EN 847-1, hvis det er beregnet til træ og lignende materialer.
- Brug ikke rundsaven til at save i træstammer eller grene.
- Brug kun en bladdiameter i overensstemmelse med markeringen.
- Vælg den rigtige savklinge, til det materiale, der skal saves i.
- Brug kun savklinger, der er markeret til samme eller højere hastigheder, end den hastighed, der er markeret på værktøjet.

SYMBOLER



For at undgå risikoen for personskader skal brugeren læse brugervejledningen



Advarsel



Bær øjenværn



Bær høreværn



Bær støvmaske



Bær beskyttelseshandsker



Dobbeltisolering



Affald af elektriske produkter må ikke bortskaffes sammen med husholdningsaffald. Indlever så vidt muligt produktet til genbrug. Kontakt de lokale myndigheder eller forhandleren, hvis du er i tvivl.



Lås



Lås op


KOMPONENTLISTE

1. FRONTHÅNDTAG	11. BOLT TIL SAVKLINGE
2. MOTORHUS	12. SAVKLINGE
3. VINKELMÅLER FOR SÅL	13. GREB TIL NEDERSTE KLINGESKÆRM
4. SMIGLÅS TIL SÅL	14. STØVUDSUGNINGSSADAPTER
5. PARALLELSTYR	15. FAST KLINGESKÆRM
6. LÅSEKRUE TIL PARALLELSTYR	16. TÆND/SLUK-KNAP
7. SAVELINJEMÆRKE	17. LÅSEKNAP
8. NEDERSTE KLINGESKÆRM	18. GREB TIL INDSTILLING AF SAVEDYBDE
9. SÅL	19. HEX-NØGLE
10. YDERFLANGE	20. Knap TIL SPINDELLÅS

Ikke alt tilbehør, der er illustreret eller beskrevet, er inkluderet i standard udgaven.

TEKNISKE DATA

Type DX59 (59-betegnelse af maskiner, repræsentativ for rundsav)

Nominal spænding		220-240V~50/60Hz
Indgangseffekt		1400W
Ubelastet motorhastighed		5800/min
Dobbeltisolering		 /II
Klingleddiameter		185mm
Centerhul i savklinge		16mm
Maks. skæredybde		
	90°	65mm
	45°	45mm
Vinkelfunktion		0-45°
Maskinens vægt		4.06kg

STØJINFORMATION

A-vægtet lydtrykniveau	L_{pA} : 89.9 dB (A)
A-vægtet lydeffektniveau	L_{wA} : 100.9 dB (A)

VIBRATIONSINFORMATION

Den totale værdi for vibration målt ifølge EN 62841:

Værdi for vibration:	Opskæring af træ: $a_{h,W} = 1.62 \text{ m/s}^2$ (Hovedhåndtag)
	Opskæring af træ: $a_{h,W} = 3.32 \text{ m/s}^2$ (Hjælpehåndtag)
	Usikkerhed $K = 1.5 \text{ m/s}^2$

Den angivne vibrationstotalværdi og den deklarerede støjemissionsværdi er målt i overensstemmelse med en standard testmetode og kan bruges til at sammenligne et værktøj med et andet.

Den angivne vibrationstotalværdi og den angivne støjemissionsværdi kan også anvendes i en foreløbig vurdering af eksponeringen.



ADVARSEL: Vibrationer og støjemissioner under selve brugen af elværktøjet kan afvige fra den deklarerede værdi afhængigt af, hvordan værktøjet bruges, især hvad slags emne behandles afhængigt af følgende eksempler og andre variationer af, hvordan værktøjet bliver brugt:

Hvordan værktøjet bruges og materialerne skæres eller bores.

Værktøjets stand og vedligeholdelse.

Anvendelse af korrekt tilbehør og kontrol med, at det er skarpt og i en i det hele taget god tilstand.

Hvor kraftigt, der holdes fast i håndtaget og, om der benyttes antivibrationsudstyr.

Om værktøjet anvendes i henhold til dets konstruktion og nærværende anvisninger.

Værktøjet kan medføre et hånd/arm-vibrationssyndrom, hvis det ikke bruges på rigtig måde.



ADVARSEL: En vurdering af udsættelsesgraden under det aktuelle brug skal omfatte alle dele af arbejdsdøgnet, herunder antallet af gange værktøjet slås til og fra, og tomgangsdriften uden for selve arbejdsopgaven. Dette kan afgørende reducere udsættelsesniveauet i den samlede arbejdsperiode.

Hjælper med at minimere risikoen for vibrationer og støjeksponering.

Brug **ALTID** skarpe mejsler, bor og blade.

Vedligehold værktøjet i overensstemmelse med disse instruktioner og hold det korrekt smurt (hvor det er nødvendigt).

Hvis værktøjet skal bruges regelmæssigt, skal du investere i anti-vibrations- og støjtilbehør.

Planlæg dit arbejde, så du kan fordele arbejde med kraftige vibrationer over flere dage.

DK

TILBEHØR

Opsugningsadapter	1
Hex-nøgle	1
Parallel vejlede	1
Sagblad	1

Det anbefales, at alt udstyr købes i samme butik som maskinen. Se på emballagen til tilbehøret for at få yderligere oplysninger. Få hjælp og råd i butikken.

BRUGSANVISNING



BEMÆRK: Læs brugsanvisningen omhyggeligt, inden du bruger værktøjet.

MULIG ANVENDELSE

Maskinen kan bruges til at skære på langs og på tværs af træ, med lige skærelinjer, så vel som skrå vinkler til 56°, mens den hviler på arbejdsobjektet.

MONTERING

1. MONTERING OG AFMONTERING AF SAVKLINGE (SE FIG. A1, A2, A3)

Tryk spindellåsen ned, og løsn bolten (11) ved hjælp af sekskantnøglen. Fjern yderflangen (10). Drej den nederste

klingeskærm med uret ved at tage fat i grebet på den, og tag den gamle savklinge (12) af. Monter den nye savklinge. Sørg for, at centerhullet sidder på inderflangen (a), og at pilen på savklingen peger i samme retning som pilen på den faste klingeskærm. Sæt yderflangen på, og sæt bolten gennem savklingsens centerhul. Tryk spindellåsen ned igen, og brug sekskantnøglen til at spænde bolten 1/4 omgang mere, end du kan spænde den med fingrene alene. Kontroller, at savklingen er monteret forsvarligt.



ADVARSEL: Tænderne på savklingen er meget skarpe. For at opnå de bedste saveresultater skal du bruge en savklinge, der passer til arbejdsmetnets materiale og den ønskede snitkvalitet.

2. INDSTILLING AF SAVEDYBDE (SE FIG. B)

Løft grebet til indstilling af savedybde, og løft saven op fra sålen. Aflys savedybden på skalaen, og skub grebet ned igen for at

Låse indstillingen. Læg altid 3 mm til savedybden, så klingens når hele vejen gennem materialet.

3. VINKELJUSTERING AF BASEPLADEN (SE FIGUR C1, C2)

Løft basepladens skrå lås imod uret for at løsne vinkelmåleren. Vip basepladen væk fra maskinen indtil den ønskede skærevinkel er justeret på vinkelmåleren. Lås den skrå lås ved at trykke den ned. Du må ikke bruge måleren til skæredybden, når du laver skrå udskæringer, da det så ikke bliver præcist.

4. STØVJERNELSE (SE FIGUR D)

Fastgør støvsugerforlænger til støvfjernelsesudgangen i retning med uret indtil den låser. Herefter fastgøres støvsugerforlænger til den fastgjorte beskyttelse med to skrue. Sæt en passende støvsugerslange direkte på forlængerens.

Renngør støvforlænger regelmæssigt for at sikre optimal fjernelse af støv på alle tidspunkter. Støvsugeren skal være egnet til det materiale, der skal behandles.

5. JUSTERING AF PARALLEL BESKYTTELSSESKÆRM (SE FIGUR E)

Den bruges til at lave udskæringer parallelt med arbejdsobjektets kant på en udvalgt afstand. De parallelle styrearme skubbes gennem beslaget for at opnå den ønskede skæreeafstand, herefter strammes låsegrebet til klemmen. Til lige udskæringer, bruges 0° styremærket til at passe til din parallelle styremåler. Til en skrå udskæring på 45°, bruges 45° styremærket til at passe til din parallelle styremåler. Spænd den parallelle styreskinne ordentligt fast.

BEMÆRK: Det er bedst at lave en prøveskæring.

OPERATING

1. HÅNDGREBSPLACERING (SE FIGUR F)

Hold altid saven godt fast med begge hænder under brug.

2. TÆNDE OG SLUKKE (SE FIGUR G)

Din kontakt er slået fra for at undgå at starte ved et uheld. Tryk på låseknappen, så på tænd/sluk knappen og slip låseknappen. Din kontakt er nu tændt. Slip tænd / sluk-kontakten for at slukke for maskinen.

Klingen kan fortsætte med at dreje, efter den er slukket. Vent indtil maskinen er fuldstændig stoppet for du sætter den ned.

ARBEJDSTIPS TIL DIN RUNDSAV

Hvis elværktøjet overophedes, skal du lade maskinen køre uden belastning i 2-3 minutter for at afkøle motoren. Undgå langvarig brug på meget lave hastigheder.

Brug altid en klinge, der passer til materialet og materialets tykkelse. Snittet bliver finere, jo flere tænder savklingen har. Sørg altid for, at arbejdsemnet holdes godt fast eller er fastspændt, så det ikke kan bevæge sig. Understøt store arbejdsemner tæt på savelinjen. Enhver bevægelse af materialet kan påvirke kvaliteten af savningen. Savklingen siver, når den kører opad, hvilket kan flosse den øverste overflade eller kanterne på dit arbejdsemne. Når du skærer, skal du sørge for, at den øverste overflade ikke er en synlig overflade, når dit arbejde er færdigt. Hvis du presser saven hurtigt fremad, er den mindre effektiv, og savklingen slides hurtigere. Den pæne side af arbejdsemnet skal vende nedad, så arbejdsemnet flosser mindst muligt langs savelinjen. Brug kun skarpe savklinger af den korrekte type.

VEDLIGEHOLDELSE

Træk stikket ud af stikkontakten, inden der udføres nogen form justering, service eller vedligeholdelse.

Dit nye elektriske redskab behøver ingen yderligere smøring eller vedligeholdelse. Der er ingen dele, der kan brugerserviceres i dit el-værktøj. Brug aldrig vand eller kemiske rengøringsmidler til rengøring. Må kun rengøres med en tør klud. Opbevares på et tørt sted. Hold motorens ventilationsåbninger rene. Knapperne o.l. skal være rene og frie for støv. Det er helt normalt, at der kan forekomme gnister i ventilationsåbningerne, og det vil ikke beskadige din multistav.

Hvis ledningen beskadiges, skal den straks udskiftes med en speciel ledning hos et autoriseret serviceværksted.

MILJØBESKYTTELSE



Affald af elektriske produkter må ikke bortskaffes sammen med husholdningsaffald. Indlever så vidt muligt produktet til genbrug. Kontakt de lokale myndigheder eller forhandleren, hvis du er i tvivl.

KONFORMITETSERKLÆRING

Vi,
POSITEC Germany GmbH
Postfach 32 02 16, 50796 Cologne, Germany

Erklærer herved, at produktet
Beskrivelse **Rundsav**
Type **DX59 (59-betegnelse af maskiner, repræsentativ for rundsav)**
Funktion **Skæring forskellige materialer med en roterende tandede savklinge**

Er i overensstemmelse med følgende direktiver:
2006/42/EC, 2014/30/EU, 2011/65/EU&(EU)2015/863


Standarder i overensstemmelse med
EN 62841-1
EN 62841-2-5
EN 55014-1
EN 55014-2
EN IEC 61000-3-2
EN 61000-3-3

Personen, autoriseret til at udarbejde den tekniske fil, **Navn**
Marcel Filz
Adresse POSITEC Germany GmbH
Postfach 32 02 16, 50796 Cologne, Germany



2021/05/20
Allen Ding
Vicechef, Ingeniør, Test & Certificering
Positec Technology (China) Co., Ltd
18, Dongwang Road, Suzhou Industrial Park
Jiangu 215123, P. R. China

INSTRUKCJA ORYGINALNA OGÓLNE OSTRZEŻENIA DOTYCZĄCE BEZPIECZEŃSTWA PODCZAS PRACY Z ELEKTRONARZĘDZIAMI

 **OSTRZEŻENIE:** Przeczytaj wszystkie ostrzeżenia, instrukcje, ilustracje i specyfikacje dostarczone z elektronarzędziem. Niestosowanie się do podanych wskazań może spowodować porażenie prądem, pożar i / lub ciężkie obrażenia ciała.

Należy dobrze przechowywać te przepisy. Użyte w dalszej części pojęcie „elektronarzędzie” odnosi się do elektronarzędzi napędzanych prądem (z kablem zasilającym) i do elektronarzędzi napędzanych akumulatorami (bez kabla zasilającego).

1) MIEJSCE PRACY

- a) **Miejsce pracy należy utrzymywać w czystości i dobrze oświetlone.** Nieporządek i nie oświetlane zakresy pracy mogą doprowadzić do wypadków.
- b) **Nie należy pracować tym narzędziem w otoczeniu zagrożonym wybuchem, w którym znajdują się np. łatwopalne ciecze, gazy lub pyły.** Elektronarzędzia wywołują iskry, które mogą podpałić ten pył lub pary.
- c) **Elektronarzędzie trzymać podczas pracy z daleka od dzieci i innych osób.** Przy odwróceniu uwagi można stracić kontrolę nad narzędziem.

2) BEZPIECZEŃSTWO ELEKTRYCZNE

- a) **Wtyczka urządzenia musi pasować do gniazda.** Nie wolno zmieniać wtyczki w jakikolwiek sposób. Nie należy używać wtyczek adapterowych razem z uziemionymi narzędziami. Niezmienione wtyczki i pasujące gniazda zmniejszają ryzyko porażenia prądem.
- b) **Należy unikać kontaktu z uziemionymi powierzchniami jak rury, grzejniki, piece i lodówki.** Istnieje zwiększone ryzyko porażenia prądem, gdy Państwa ciało jest uziemione.
- c) **Urządzenie należy trzymać zabezpieczone przed deszczem i wilgocią.** Wniknięcie wody do elektronarzędzia podwyższa ryzyko porażenia prądem.
- d) **Nigdy nie należy używać kabla do innych czynności.** Nigdy nie używać kabla do noszenia urządzenia za kabel, zawieszenia lub do wyciągania wtyczki z gniazda. Kabel należy trzymać z daleka od wysokich temperatur, oleju; ostrych krawędzi lub ruchomych części urządzenia. Uszkodzone lub poplątane kable zwiększają ryzyko porażenia prądem.
- e) **W przypadku, że elektronarzędziem pracuje się na świeżym powietrzu należy używać kabla przedłużającego, który dopuszczony jest do używania na zewnątrz.** Użycie dopuszczonego do używania na zewnątrz kabla przedłużającego zmniejsza ryzyko porażenia prądem.
- f) **Jeśli nie można uniknąć posługiwania**

się elektronarzędziem w miejscu o dużej wilgotności należy użyć zabezpieczonego zasilacza domowego (RCD). Stosowanie RCD zmniejsza ryzyko porażenia prądem elektrycznym.


3) BEZPIECZEŃSTWO OSÓB

- a) **Należy być uważnym, zważać na to co się robi i pracę elektronarzędziem rozpoczynać z rozsądkiem.** Nie należy używać urządzenia gdy jest się zmęczonym lub pod wpływem narkotyków, alkoholu lub lekarstw. Moment nieuwagi przy użyciu urządzenia może doprowadzić do poważnych obrażeń ciała.
 - b) **Należy nosić osobiste wyposażenie ochronne i zawsze okulary ochronne.** Noszenie osobistego wyposażenia ochronnego jak maska przeciwpyłowa, nie ślizgające się buty robocze, hełm ochronny lub ochrona słuchu, w zależności od rodzaju i użycia elektronarzędzia zmniejsza ryzyko obrażeń ciała.
 - c) **Należy zapobiec przypadkowemu uruchomieniu.** Przed podłączeniem do sieci zasilającej i/lub zestawu baterii, podniesieniem urządzenia i przenoszeniem urządzenia należy sprawdzić, czy przełącznik znajduje się w pozycji wyłączenia. W przypadku, że przy noszeniu urządzenia trzyma się palec na włączniku/wyłączniku lub włączone urządzenie podłączone zostanie do prądu, to może to doprowadzić do wypadków.
 - d) **Zanim urządzenie zostanie włączone należy usunąć narzędzia nastawcze lub klucze.** Narzędzie lub klucz, które znajdują się w ruchomych częściach urządzenia mogą doprowadzić do obrażeń ciała.
 - e) **Nie należy przeceniać swoich możliwości.** Należy dbać o bezpieczną pozycję pracy i zawsze utrzymywać równowagę. Przez to możliwa jest lepsza kontrola urządzenia w nieprzewidzianych sytuacjach.
 - f) **Należy nosić odpowiednie ubranie.** Nie należy nosić luźnego ubrania lub biżuterii. Wystregają się kontaktu włosów, części odzieży lub rękawic ochronnych z ruchomymi częściami urządzenia.
 - g) **W przypadku, że możliwe jest zamontowanie urządzeń odsysających lub podchwytyjących należy upewnić się, czy są one właściwie podłączone i prawidłowo użyte.** Użycie tych urządzeń zmniejsza zagrożenie spowodowane pyłami.
 - h) **Częste używanie urządzenia i rutyna może osłabić twoją uwagę i być przyczyną niedotrzymywania zasad bezpieczeństwa.** Nieuważne działanie może spowodować poważne szkody w ułamku sekundy.
- ## 4) STARANNE OBCOWANIE ORAZ UŻYCIE ELEKTRONARZĘDZI
- a) **Nie należy przeciążać urządzenia.** Do pracy używać należy elektronarzędzia, które jest do tego przewidziane. Odpowiednim narzędziem pracuje się lepiej i bezpieczniej w podanym zakresie sprawności.
 - b) **Nie należy używać elektronarzędzia, którego włącznik/wyłącznik jest uszkodzony.** Elektronarzędzie, którego nie można włączyć lub wyłączyć jest niebezpieczne i musi zostać naprawione.
 - c) **Przed przystąpieniem do wykonywania jakichkolwiek regulacji, ustawień wymiany**

osprzętu lub składowania urządzenia należy odłączyć wtyczkę od źródła zasilania i/ lub wyjąć akumulator. Ten środek ostrożności zapobiega niezamierzonemu włączeniu się urządzenia.

- d) Nie używane elektronarzędzia należy przechowywać poza zasięgiem dzieci.** Nie należy dać narzędzia do użytku osobom, które jego nie znają lub nie przeczytały tych przepisów. Używane przez niedoświadczonych osoby elektronarzędzia są niebezpieczne.
- e) Dotrzymuj regularnego wykonywani konserwacji urządzenia i osprzętu.** Należy kontrolować, czy ruchome części urządzenia funkcjonują bez zarzutu i nie są zablokowane, czy części nie są pęknięte lub uszkodzone, co mogłoby mieć wpływ na prawidłowe funkcjonowanie urządzenia. Uszkodzone części należy przed użyciem urządzenia oddać do naprawy. Wiele wypadków spowodowanych jest przez niewłaściwą konserwację elektronarzędzi.
- f) Narzędzia tnące należy utrzymywać ostre i czyste.** Starannie pielęgnowane narzędzia tnące z ostrymi krawędziami tnącymi zablokują się rzadziej i łatwiej się je prowadzi.
- g) Elektronarzędzia, osprzęt, narzędzia itd. należy używać odpowiednio do tych przepisów i tak, jak jest to przewidziane dla tego specjalnego typu urządzenia.** Uwzględnić należy przy tym warunki pracy i czynność do wykonania. Użycie elektronarzędzi do innych niż przewidziane prace może doprowadzić do niebezpiecznych sytuacji.
- h) Uchwyty oraz powierzchnie elementów obsługi urządzenia utrzymywać suche, czyste, bez oleju i smaru.** Śliskie uchwyty oraz inne powierzchnie stanowią przeszkodę w bezpiecznej obsłudze i kontroli nad narzędziem w nieoczekiwanych sytuacjach.
- 5) SERWIS**
- a) Naprawę urządzenia należy zlecić jedynie kwalifikowanemu fachowcowi i przy użyciu oryginalnych części zamiennych.** To gwarantuje, że bezpieczeństwo urządzenia zostanie zachowane.

PRZEPISY BEZPIECZEŃSTWA DLA WSZYSTKICH PIŁAREK PROCES CIĘCIA

- a)  OSTRZEŻENIE: Nie zbliżać rąk do obszaru cięcia oraz tarczy. Trzymać drugą rękę na uchwycie dodatkowym lub obudowie silnika. Jeśli obie ręce trzymają piłę, piła nie będzie mogła ich przeciąć.**
- b) Nie sięgać pod obrabiany przedmiot.** Osłona nie ochrania od tarczy poniżej obrabianego przedmiotu.
- c) Wyregulować głębokość cięcia według grubości obrabianego przedmiotu.** Pod obrabianym przedmiotem powinno wystawać mniej niż pełny ząb tarczy zębatej.
- d) Nigdy nie należy przytrzymywać ciętego przedmiotu rękami ani między nogami.**

Zabezpieczyć obrabiany przedmiot na bezpiecznej platformie. Ważne jest, aby podeprzeć właściwie przedmiot w celu zminimalizowania narażenia ciała, zgięcia tarczy, czy utraty kontroli.

- e) Podczas wykonywania prac, w których przyrządy tnące mogą przeciąć kabel elektryczny, narzędzie można trzymać jedynie za izolowaną powierzchnię karbowaną.** Oprzyrządowanie tnące po zetknięciu się z przewodem będącym pod napięciem może spowodzić prąd i spowodować porażenie operatora.
- f) Podczas cięcia wzdłużnego zawsze należy używać prowadnicy piły tarczowej lub przymiaru.** Poprawia to dokładność cięcia i zmniejsza możliwość zgięcia tarczy.
- g) Zawsze używać tarcz o właściwym rozmiarze i kształcie (rombowy przeciw okrągłemu) otworów oprawki.** Tarcze, które nie pasują do osprzętu piły będą działać mimośrodkowo powodując utratę kontroli.
- h) Nigdy nie należy używać uszkodzonych lub niewłaściwych podkładek lub śrub tarcz.** Podkładowki i śruby tarcz zostały specjalnie zaprojektowane dla piły w celu uzyskania optymalnej wydajności oraz bezpieczeństwa pracy.

DALSZE INSTRUKCJE BEZPIECZEŃSTWA DLA WSZYSTKICH PIŁ PRZECZYNY ORAZ ZAPOBIEGANIE SZYBKIM RUCHOM POWROTNYM

- Szybki ruch powrotny jest nagłą reakcją na zablokowaną, zgiętą lub źle ułożoną tarczę, co powoduje niekontrolowane wyskoczenie piły z obrabianego przedmiotu w kierunku operatora.
 - Kiedy tarcza zostaje złapana lub mocno zgięta przez zamykające się przecięcie, tarcza blokuje się a działanie silnika wywołuje nagłe wyrzucenie urządzenia w kierunku operatora.
 - Jeśli tarcza pognie się lub źle się ułoży w szczelinie, zęby tylnej krawędzi tarczy mogą wciąć się w górną powierzchnię drewna powodując, że tarcza wyskoczy ze szczeliny w kierunku operatora. Szybki ruch powrotny jest wynikiem złego użycia i/ lub niewłaściwych procedur lub warunków pracy, a można go uniknąć stosując właściwe środki ostrożności podane poniżej.
- a) Utrzymać pewny chwyt obu dłońmi na pile i ustawić ramiona w sposób umożliwiający zablokowanie siły odskoku. Ułożyć ciało po jednej ze stron tarczy, ale nie w jednej linii z tarczą.** Nagły ruch powrotny może spowodować wyskoczenie piły do tyłu, ale siły odskoku mogą być kontrolowane przez operatora, jeśli zostały podjęte właściwe środki ostrożności.
- b) Kiedy tarcza się zgina lub podczas przerwania cięcia z dowolnego powodu, należy zwolnić spust i zatrzymać piłę w materiale aż do jej całkowitego zatrzymania. Nigdy nie należy próbować wyciągać piły z obrabianego przedmiotu lub wyciągać piły do tyłu podczas gdy tarcza znajduje się w**

ruchu lub może wystąpić szybki ruch powrotny. Zbadaj i podjąć kroki naprawcze w celu wyeliminowania przyczyny zgięcia tarczy.

- c) **Podczas powtórzonego rozpoczynania cięcia w przedmiocie obrabianym należy ustawić tarczę centralnie w szczelinie i sprawdzić, czy zęby piły nie utknęły w materiale.** Jeśli tarcza piły się zgina, może się wysunąć w górę lub nagle wyskoczyć z obrabianego przedmiotu po ponownym rozruchu piły.
- d) **Podpieraj duże panele w celu zminimalizowania zagrożenia blokady tarczy oraz szybkiego ruchu powrotnego. Duże panele mają tendencję do uginania się pod własnym ciężarem.** Wsporniki należy umieścić pod panelem po obu stronach, blisko linii cięcia i blisko krawędzi panelu.
- e) **Nie używać tępych lub uszkodzonych tarcz.** Nienaostrzone lub niewłaściwie ustawione tarcze tworzą wąskie przecięcie powodując nadmierne tarcie, zginanie się tarczy oraz szybki ruch powrotny.
- f) **Przed wykonaniem cięcia głębokość tarczy oraz dźwignie blokujące regulacji skosu muszą być dokręcone i zabezpieczone.** Jeśli regulacja tarczy przesunie się podczas cięcia, może spowodować zgięcie lub szybki ruch zwrotny.
- g) **Należy szczególnie uważać podczas wykonywania cięcia w ścianach lub innych osłoniętych miejscach.** Wystająca tarcza może przeciąć przedmiot, które mogą wywołać szybki ruch zwrotny.

INSTRUKCJE BEZPIECZEŃSTWA DOTYCZĄCE PIŁY TARCZOWEJ Z WEWNĘTRZNĄ OSŁONĄ WAHADŁOWĄ

DZIAŁANIE OSŁONY DOLNEJ

- a) **Przed każdym użyciem sprawdź dolną osłonę, czy zamyka się prawidłowo. Nie obsługiwać piły, jeśli dolna osłona nie porusza się swobodnie i nie zamyka natychmiastowo. Nie unieruchamiaj nigdy osłony w otwartym położeniu.** W razie przypadkowego upuszczenia pilarki jej osłona może ulec wygięciu. Sprawdź, aby upewnić się, że osłona porusza się swobodnie i nie dotyka ostrza ani żadnej innej części, przy wszystkich kątach i głębokościach cięcia.
- b) **Sprawdź działanie sprężyny dolnej osłony. Jeśli osłona i sprężyna nie działają właściwie, przed użyciem należy je serwisować.** Dolna osłona może działać opornie ze względu na uszkodzone części, lepkie osady lub akumulację odpadów.
- c) **Dolna osłona powinna być ręcznie odciągana tylko przy wykonywaniu specjalnych cięć, takich jak „cięcia wgłębne” czy „cięcia złożone”.** Unieść dolną osłonę przy użyciu składanego uchwyty i natychmiast po wejściu tarczy w materiał zwolnić dolną osłonę. Podczas innych zastosowań dolna osłona powinna działać automatycznie.
- d) **Przed umieszczeniem pilarki na podłożu lub na stole, zawsze zwróć uwagę, czy osłona zakrywa ostrze. Niezabezpieczone lub poruszające się**

rozpędem ostrze spowoduje ruch pilarki do tyłu, tnąc wszystko na jej drodze. Pamiętaj, że po zwolnieniu wyłącznika uplynie pewien czas, zanim piła zatrzyma się całkowicie.

DODATKOWE ZASADY BEZPIECZEŃSTWA DLA PIŁY TARCZOWEJ

1. Używaj wyłącznie pił tarczowych zalecanych przez producenta, które są zgodne z normą EN 847-1, przeznaczonych do drewna i podobnych materiałów.
2. Nie używać żadnych tarcz ściernych.
3. Używaj tylko pił tarczowych o średnicy(ach) zgodnych z oznaczeniami.
4. Wybrać wyłącznie piły tarczowe przeznaczone do cięcia materiałów.
5. Używaj wyłącznie pił tarczowych, których prędkość obrotowa jest równa lub większą niż prędkość zaznaczona na narzędziu.

SYMBOLS



Aby zmniejszyć niebezpieczeństwo odniesienia obrażeń, użytkownik powinien przeczytać podręcznik z instrukcjami



OSTRZEŻENIE



Używać ochrony wzroku



Używać ochrony słuchu



Używać maski przeciwpyłowej



Należy zakładać okulary ochronne



Podwójna izolacja



Odpady wyrobów elektrycznych nie powinny być wyrzucane razem z odpadami gospodarstwa domowego. Należy korzystać z recyklingu, jeśli istnieje odpowiednie infrastruktura. Porady dotyczące recyklingu można uzyskać u władz lokalnych lub sprzedawcy detalicznego.



Blokada



Odblokowanie

LISTA ELEMENTÓW

1. UCHWYT CZOŁOWY
2. OBUDOWA SILNIKA
3. PODZIAŁKA KĄTA PŁYTY PODSTAWY
4. BLOKADA ODCHYLENIA PŁYTY PODSTAWY
5. PROWADNICA RÓWNOLEGŁA
6. POKRĘTŁO BLOKADY PROWADNICY RÓWNOLEGŁEJ
7. WYCIĘCIE PROWADNICY CIĘCIA
8. OSŁONA DOLNEGO BRZESZCZOTU
9. PŁYTA PODSTAWY
10. KOŁNIERZ ZEWNĘTRZNY
11. ŚRUBA BRZESZCZOTA
12. BRZESZCZOT PIŁY
13. DŹWIGNIA DOLNEJ OSŁONY
14. ADAPTER ODKURZACZA
15. STAŁA OSŁONA
16. WŁĄCZNIK/WYŁĄCZNIK BEZPIECZEŃSTWA
17. PRZYCISK BLOKADY-WYŁ.
18. DŹWIGNIA REGULACJI GŁĘBOKOŚCI CIĘCIA
19. KLUCZ SZEŚCIOKĄTNY
20. PRZYCISK BLOKADY WRZECIONA

Nie wszystkie przedstawione lub opisane akcesoria są zawarte w standardowej dostawie.

DANE TECHNICZNE

Typ DX59 (59 - oznaczenie maszyny, reprezentatywne dla piły tarczowej)

Napięcie nominalne	220-240V~50/60Hz
Moc znamionowa	1400W
Prędkość bez obciążenia	5800/min
Klasa ochrony	□/II
Rozmiar brzeszczota	185mm
Otwór brzeszczota	16mm
Zdolność cięcia	
	90° 65mm
	45° 45mm
Odchylenie obustronne	0-45°
Ciężar maszyny	4.06kg

DANE DOTYCZĄCE HAŁASU I WIBRACJI

Ważone ciśnienie akustyczne	L_{pA} : 89.9 dB (A)
Ważona moc akustyczna	L_{wA} : 100.9 dB (A)
K_{pA} & K_{wA}	3.0 dB (A)
Używać ochrony słuchu.	

INFORMACJE DOTYCZĄCE DRGAŃ

Łączna wartość drgań (suma wektora triax) określona według normy EN 62841:	
Wartość przenoszenia wibracji	Cięcie drewna: $a_{h,w} = 1.62 \text{ m/s}^2$ (Główny uchwyt)
	Cięcie drewna: $a_{h,w} = 3.32 \text{ m/s}^2$ (Uchwyt pomocniczy)
Niepewność $K = 1.5 \text{ m/s}^2$	

Deklarowana wartość całkowita drgań oraz deklarowanych wartości emisji hałasu zostały zmierzone zgodnie ze standardową metodą wykonywania badań i mogą być stosowane do porównywania właściwości różnych urządzeń. Deklarowana wartość całkowita drgań i zadeklarowana wartość emisji hałasu może być zastosowana również do wstępnej oceny zagrożenia.

! OSTRZEŻENIE: Wibracje oraz emisja hałasu podczas rzeczywistego użytkowania elektronarzędzia może się różnić od podanej wartości, w zależności od sposobu używania urządzenia, przede wszystkim od typu obrabianego materiału i możliwości korzystania z urządzenia:

Jak używane jest narzędzie oraz, czy materiał jest cięty czy wiercony.

Czy narzędzie jest w dobrym stanie i czy jest prawidłowo konserwowane.

Czy używane są prawidłowe akcesoria narzędzia i czy narzędzie jest właściwie naostrzone oraz w dobrym stanie.

Czy zastosowano elementy poprawiające przyleganie uchwytów oraz elementy do wyeliminowania wszelkich drgań i hałasu urządzenia.

Oraz, czy narzędzie jest używane zgodnie z przeznaczeniem i według instrukcji.

Nieprawidłowe prowadzenie tego narzędzia może spowodować syndrom wibracji rąk.

! OSTRZEŻENIE: W szczególności, oszacowanie poziomu ekspozycji w rzeczywistych warunkach używania powinno brać także pod uwagę wszystkie elementy cyklu działania, takie jak czasy wyłączenia narzędzia i czas bezczynności, ale nie rzeczywiste wykonywaną pracę. Może to znacznie zmniejszyć poziom ekspozycji w całym okresie pracy.

Pomaga zminimalizować ryzyko występowania drgań i podwyższonego poziomu hałasu.

Należy ZAWSZE używać ostrych dłut, wiertel i ostrzy.

Narzędzie należy konserwować zgodnie z instrukcjami i prawidłowo smarować (w odpowiednich miejscach).

Jeżeli urządzenie będzie stosowane regularnie zaleca się wyposażać urządzenie w wyposażenie eliminujące wibracje i hałas.

Należy zaplanować harmonogram pracy w celu rozłożenia używania narzędzi wytwarzających wysoki poziom drgań na kilka dni.

AKCESORIA

Adapter próżniowy	1
Klucz sześciokątny	1
Prowadnice równoległe	1
Brzeszczoł piły	1

Zalecamy zakup akcesoriów w sklepie, w którym sprzedawane są narzędzia. Aby uzyskać więcej informacji, zobacz pakiet akcesoriów. Personel sklepu może ci pomóc i doradzić.

INSTRUKCJA OBSŁUGI



WSKAZÓWKA: Przed użyciem narzędzia prosimy o uważne przeczytanie instrukcji obsługi.

PRZEZNACZENIE

Maszyna jest przeznaczona do cięcia wzdłużnego i poprzecznego drewna prostymi liniami cięcia, jak również z kątami ukosowania do 45° przy stabilnym oparciu o obrabiany przedmiot.

INSTALACJA

1. MONTAŻ/WYMIANA BRZESZCZOTA (PATRZ RYS. A1 A2, A3)

Nacisnąć przycisk blokady wrzeciona i użyć klucza sześciokątnego, aby poluzować i wyjąć śrubę brzeszczota (11). Zdjąć kołnierz zewnętrzny (10). Obrócić dolną osłonę brzeszczota w prawo, naciskając dźwignię osłony, aby wyjąć stary brzeszczoł (12). Zamontować wymieniony brzeszczoł. Upewnić się, że otwór brzeszczota znajduje się na kołnierzu wewnętrznym (a), a strzałka kierunku ostrza wskazuje ten sam kierunek, co strzałka strzał

osłony. Umieścić kołnierz zewnętrzny, śrubę brzeszczota w otworze ostrza. Ponownie nacisnąć blokadę wrzeciona i za pomocą klucza sześciokątnego dokręcić śrubę o 1/4 obrotu bardziej niż ręką. Sprawdzić, czy brzeszczoł jest dobrze zamocowany.



OSTRZEŻENIE: Zęby brzeszczota są bardzo ostre. Aby uzyskać najlepsze wyniki cięcia, należy upewnić się, że używa się brzeszczota dostosowanego do materiału i wymaganej jakości cięcia.

2. REGULACJA GŁĘBOKOŚCI CIĘCIA (PATRZ RYS. B)

Podnieść dźwignię blokującą głębokość cięcia i podnieść korpus piły z płyty podstawy. Ustawić głębokość cięcia za pomocą skali i nacisnąć dźwignię w dół, aby zablokować. Zawsze dodać 3 mm do głębokości cięcia, aby brzeszczoł mógł przeciąć materiał.

3. REGULACJA KĄTA PŁYTY PODSTAWY (PATRZ RYS. C1, C2)

Obrócić blokadę odchylenia płyty podstawy w kierunku przeciwnym do ruchu wskazówek zegara, aby poluzować

podziałkę kątową. Odchylić płytę podstawy od maszyny, aż żądany kąt cięcia zostanie ustawiony na podziałce kątowej. Dokręcić blokadę skosu, obracając ją w kierunku zgodnym z ruchem wskazówek zegara. Nie używać podziałki głębokości cięcia podczas wykonywania cięć ukośnych ze względu na możliwą niedokładność.

4. WYLOT UKŁADU ODSYSAJĄCEGO PYŁ (PATRZ RYS. D)

Przymocować adapter odkurzacza do wylotu układu odsysającego, aż się zatrzaśnie. Dodatkowo przymocować adapter odkurzacza do stałej osłony za pomocą dwóch śrub. Podłączyć bezpośrednio odpowiedni wąż próżniowy do adaptera. Regularnie czyścić adapter odkurzacza, aby zapewnić optymalne odsysanie. Odkurzacze musi być odpowiedni do obrabianego materiału.

5. REGULACJA PROWADNICY RÓWNOLEGŁEJ (PATRZ RYS. E)

Służy do wykonywania cięć równoległych do krawędzi przedmiotu obrabianego w wybranej odległości. Przesuń równoległe ramię prowadnicy przez uchwyt, aby uzyskać wymaganą odległość cięcia, a następnie dokręcić pokrętkę blokady, aby zacisnąć. Może być używane z obu stron płyty podstawy. W przypadku cięć prostych użyć znaku prowadnicy 0°, aby wyrównać z podziałką prowadnicy równoległej. W przypadku cięcia ukośnego pod kątem 45° użyć znacznika prowadnicy 45°, aby wyrównać z podziałką prowadnicy równoległej.

Mocno zacisnąć prowadnicę równoległą.

WSKAZÓWKI: Najlepiej wykonać cięcie próbne.

OBŚLUGA

1. POŁOŻENIE RĘKI (PATRZ RYS. F)

Podczas pracy zawsze mocno trzymać pilarkę obiema rękami.

2. WYŁĄCZNIK BEZPIECZEŃSTWA (PATRZ RYS. G)

Państwa przełącznik jest zablokowany, aby zapobiec przypadkowemu uruchomieniu. Wcisnąć przycisk blokady, a następnie włącznik/wyłącznik i zwolnić przycisk blokady. Przełącznik jest teraz włączony. Aby wyłączyć, wystarczy zwolnić włącznik/wyłącznik. Po wyłączeniu brzości może nadal się obracać. Przed odstawieniem poczekać, aż maszyna całkowicie się zatrzyma.

WSKAZÓWKI DOTYCZĄCE PRACY Z NARZĘDZIE

Jeśli urządzenie mechaniczne nagrzeje się za bardzo, pozwolić na 2-3 minutową pracę piły tarczowej bez obciążenia, aby schłodzić silnik.

Unikać przedłużonego użycia przy bardzo niskich prędkościach. Tarcze tnące należy zabezpieczyć przed uderzeniem i drganiami. Nadmierne naciskanie znacznie zmniejsza wydajność urządzenia i zmniejsza żywotność tarczy tnącej. Wydajność i jakość cięcia zależą w dużym stopniu od stanu zębów tnących tarczy. Dlatego też, należy używać wyłącznie naostrzonych tarcz tnących, odpowiednich do ciętego materiału.

Dobór pił tarczowych: piły o 24 ostrzach do typowych zastosowań, o ok. 40 ostrzach do cięcia liniowego, o ponad 40 ostrzach do precyzyjnych cięć w delikatnych materiałach, diamentowe do płytek ceramicznych, płytek cementowych itp.

Używaj tylko zalecanych tarcz pilarskich.

KONSERWACJA

Przed dokonywaniem jakichkolwiek regulacji, obsługi technicznej lub konserwacji należy wyjąć wtyczkę z gniazdka.

Narzędzie to nie wymaga żadnego dodatkowego smarowania czy konserwacji.

W narzędziu nie ma żadnych części, które wymagałyby serwisowania przez użytkownika. Nigdy nie należy używać wody czy środków czyszczących do czyszczenia narzędzia z napędem elektrycznym. Czyścić suchą szmatką. Zawsze należy przechowywać narzędzie w suchym miejscu. Utrzymywać w czystości otwory wentylacyjne silnika. Utrzymywać wszystkie urządzenia sterujące w czystości. W otworach wentylacyjnych mogą pojawiać się iskry, jest to normalne i nie spowoduje uszkodzenia narzędzia.

Jeśli uszkodzony zostanie przewód zasilający, aby uniknąć niebezpieczeństwa powinien zostać wymieniony przez producenta, przedstawiciela serwisu lub inną wykwalifikowaną osobę.

OCHRONA ŚRODOWISKA



Opady wyrobów elektrycznych nie powinny być wyrzucane razem z odpadami gospodarstwa domowego. Należy korzystać z recyklingu, jeśli istnieje odpowiednia infrastruktura. Porady dotyczące recyklingu można uzyskać u władz lokalnych lub sprzedawcy detalicznego.

DEKLARACJA ZGODNOŚCI

We,
POSITEC Germany GmbH
Postfach 32 02 16, 50796 Cologne, Germany

deklarujemy, że produkt,
Opis **Piła tarczowa**
Typ **DX59 (59- oznaczenie urządzenia, reprezentuje pilarkę)**
Funkcja **Cięcie różnych materiałów obracającą się tarczą z zębami tnącymi**

jest zgodny z następującymi dyrektywami,
2006/42/EC, 2014/30/EU, 2011/65/EU & (EU)2015/863

Normy są zgodne z
EN 62841-1, EN 62841-2-5, EN 55014-1
EN 55014-2, EN IEC 61000-3-2, EN 61000-3-3

Osoba upoważniona do kompilacji pliku technicznego,
Nazwa Marcel Filz
Adres POSITEC Germany GmbH
Postfach 32 02 16, 50796 Cologne, Germany



2021/05/20

Allen Ding

Zastępca głównego inżyniera, testowanie i certyfikacja
Positec Technology (China) Co., Ltd
18, Dongwang Road, Suzhou Industrial
Park, Jiangsu 215123, P. R. China

ОРИГИНАЛНИ ИНСТРУКЦИИ БЕЗОПАСНОСТ НА ПРОДУКТА ОБЩИ ПРЕДУПРЕЖДЕНИЯ ЗА БЕЗОПАСНОСТ ЗА ЕЛЕКТРОИНСТРУМЕНТИ



ПРЕДУПРЕЖДЕНИЕ Прочетете всички предупреждения за безопасност, инструкции, илюстрации и спецификации, предоставени с този електроинструмент. Неспазването на всички посочени инструкции може да доведе до токов удар, пожар и/или сериозно нараняване.

Запазете всички предупреждения и инструкции за бъдеща справка.

Терминът „електроинструмент“ в предупрежденията се отнася за вашите електроинструменти, захранвани от мрежата (с кабел) или за електроинструментите, работещи с батерия (без кабел).

1) Безопасност на работното място

- a) **Поддържайте работното място чисто и добре осветено.** Разхвърляните или тъмни места предизвикват инциденти.
- b) **Не работете с електроинструменти в експлозивни атмосфери, като например при наличие на запалими течности, газове или прах.** Електроинструментите произвеждат искри, които могат да запалят прах или изпарения.
- c) **Децата и наблюдателите трябва да стоят настрана, докато работите с електроинструмента.** Разсейването може да доведе до загуба на контрол.

2) Електрическа безопасност

- a) **Щепселите на електроинструментите трябва да съответстват на контактите.** Никога не модифицирайте щепсела по никакъв начин. Не използвайте никакви адаптерни щепсели със заземени електроинструменти. Немодифицираните щепсели и подходящите контакти ще намалят риска от токов удар.
- b) **Избягвайте контакт на тялото със заземени повърхности, като тръби, радиатори, кухненски печки и хладилници.** Съществува повишен риск от токов удар, ако тялото ви бъде заземено.
- c) **Не излагайте електроинструментите на дъжд или влажни условия.** Водата, навлизаща в електроинструмента, ще увеличи риска от токов удар.
- d) **Не повреждайте кабела.** Никога не използвайте кабела, за да носите, дърпате или изключвате електроинструмента. Дръжте кабела далеч от топлина, масло, остри ръбове или движещи се части. Повредените или заплетени кабели повишават риска от токов удар.
- e) **Когато работите с електроинструмент на открито, използвайте удължителен кабел, подходящ за употреба на открито.** Употребата на кабел, подходящ за употреба на открито, намалява риска от токов удар.
- f) **Ако е наложително да работите с електроинструмента във влажно място, използвайте защитено захранване с дефекнтокова защита (ДТЗ).** Използването на ДТЗ намалява риска от токов удар.

3) Лична безопасност

- a) **Бъдете нащрек, внимавайте какво правите и използвайте здравия си разум, когато работите с електроинструмент.** Не използвайте електроинструмент, когато сте изморени или под влияние на наркотици, алкохол или лекарства. Момент невнимание при работа с електроинструмент може да доведе до сериозни наранявания.
- b) **Използвайте лични предпазни средства. Винаги носете защитни очила.** Предпазните средства като прахова маска, предпазни обувки против пързаяне, каска или антифони, използвани за подходящите условия, ще намалят нараняванията.
- c) **Предотвратяване на неволно стартиране. Уверете се, че превключвателят е в позиция изкл. (off), преди свързване към източник на захранване и/или батерияен пакет, вземане или носене на инструмента.** Носенето на електроинструменти с пръст върху превключвателя или енергизирането им при натиснат превключвател може да доведе до злополуки.
- d) **Отстранете всеки регулиращ ключ или гаечен ключ преди да включите инструмента.** Гаечен ключ или друг ключ, прикрепен към въртяща се част на електроинструмента, може да доведе до наранявания.
- e) **Не дръжте инструмента твърде далече. Непрекъснато спазвайте подходящо положение и баланс.** Това спомага за по-доброто управление на електроинструмента в непредвидени ситуации.
- f) **Носете подходящо облекло.** Не носете широки дрехи или бижута. Дръжте косата и дрехите си далеч от движещите се части. Широките дрехи, бижута или дългата коса могат да бъдат захванати от движещите се части.
- g) **Ако са осигурени устройства за свързване на уреди за извличане и събиране на прах, уверете се, че те са свързани и се използват правилно.** Използването на прахоуловители може да намали опасностите, свързани с праха.
- h) **Не позволявайте познанието, придобито от честата употреба на инструменти, да ви позволи да изгубите бдителността си и да игнорирате принципите за безопасност на инструмента.** Небрежно действие може да

причини тежки наранявания в рамките на части от секундата.


- 4) Използване и грижа за електроинструмента**
- a) Не претоварвайте електроинструмента.** Използвайте правилния електроинструмент за вашите нужди. Правилният електроинструмент ще свърши работата по-добре и по-безопасно при скоростта, за която е проектиран.
- b) Не използвайте електроинструмента, ако превключвателят не го включва и изключва.** Всеки електроинструмент, който не може да се управлява с превключвателя, е опасен и трябва да бъде ремонтиран.
- c) Изключете щепсела от източника на захранване и / или извадете батерийния пакет, ако се разглобява, от електроинструмента, преди да направите каквито и да е настройки, да смените аксесоарите или да съхранявате електроинструментите.** Подобни превантивни предпазни мерки намаляват риска от включване на електроинструмента по невнимание.
- d) Съхранявайте електроинструментите на място, недостъпно за деца, и не позволявайте на лица, които не са запознати с електроинструмента или с тези инструкции, да работят с електроинструмента.** Електроинструментите са опасни в ръцете на необучени потребители.
- e) Грижете се за електроинструментите и аксесоарите.** Проверявайте за неправилно подравняване или свързване на движещите се части, счупване на части и всякакви други състояния, които могат да повлияят на работата на електроинструмента. При повреда, ремонтирайте инструмента преди употреба. Много злополуки са причинени от лошо поддържани електроинструменти.
- f) Поддържайте режещите инструменти остри и чисти.** Правилно поддържаните режещи инструменти с остри режещи ръбове е по-малко вероятно да засичат при работа и са по-лесни за управление.
- g) Използвайте електроинструментите, аксесоарите и резците според настоящите инструкции, като отчитате условията на работа и работата, която ще се извършва.** Употребата на електроинструмента за операции, различни от тези, за които е предназначен, може да доведе до опасни ситуации.
- h) Пазете дръжките и захващащите повърхности сухи, чисти и без следи от масло и смазка.** Хлъзгавите дръжки и захващащи повърхности не позволяват безопасна работа и контрол на инструмента при неочаквани ситуации.

5) Обслужване

- a) Вашият електроинструмент трябва да се**

обслужва от квалифицирано лице, което използва само оригинални резервни части. Това ще гарантира запазването на безопасността на електроинструмента.

ИНСТРУКЦИИ ЗА БЕЗОПАСНОСТ ЗА ВСИЧКИ ТРИОНИ ПРОЦЕДУРИ ЗА РЯЗАНЕ

- a)  ОПАСНОСТ:** Дръжте ръцете си далеч от зоната на рязане и острието. Дръжте втората си ръка върху спомогателната дръжка или корпуса на двигателя. Ако и двете ръце държат триона, острието не може да ги пореже.
- b) Не посягайте под обработвания детайл.** Предпазителят не може да ви защити от острието под обработвания детайл.
- c) Регулирайте дълбочината на рязане в зависимост от дебелината на обработвания детайл.** Под обработвания детайл трябва да се вижда по-малко от един цял зъб от зъбите на острието.
- d) Никога не дръжте обработвания детайл в ръцете си или на крака си, докато режете.** Закрепете обработвания детайл към стабилна платформа. Важно е да поддържате правилно обработвания детайл, за да сведете до минимум излагането на тялото, заклещването на острието или загубата на контрол.
- e) Дръжте електрическият инструмент за изолираните повърхности за захващане, когато извършвате операция, при която режещият инструмент може да се докосне до скрити кабели.** Контакт с проводник "под напрежение", може предаде "напрежението" на откритите метални части на електроинструмента и да причини токов удар на оператора.
- f) При рязане винаги използвайте линеал за рязане или водач с прав ръб.** Това подобрява точността на рязане и намалява вероятността от заклещване на острието.
- g) Винаги използвайте ножове с правилен размер и форма (ромбовидна срещу кръгла) на отворите на оста.** Остриетата, които не са съобразени с монтажния хардуер на триона, се отклоняват от центъра, което води до загуба на контрол.
- h) Никога не използвайте повредени или неправилни шайби и болт на острието.** Шайбите и болтът на острието са специално проектирани за вашия трион, за оптимална производителност и безопасност на работата.

ПО-НАТАТЪШНИ ИНСТРУКЦИИ ЗА БЕЗОПАСНОСТ ЗА ВСИЧКИ ТРИОНИ

ПРЕДУПРЕЖДЕНИЯ ЗА ПРИЧИНИ ЗА ОТКАТ И ПОДОБНИ

- Откатът е внезапна реакция на притиснат, заклещен или неправилно подравнено острие на трион, което води до неконтролируемо повдигане на триона нагоре и извън обработвания детайл към оператора;
 - когато острието е притиснато или заклещено плътно от затварянето на прореза, острието спира и реакцията на двигателя задвижва уреда бързо обратно към оператора;
 - ако острието се усуче или размести по време на рязане, зъбците на задния край на острието могат да се забият в горната повърхност на дървото, в резултат на което острието да се излезе от прореза и да подскочи обратно към оператора. Откатът е резултат от неправилна употреба на триона и/или неправилни работни процедури или условия и може да бъде избегнат чрез предприемане на подходящи предпазни мерки, както е посочено по-долу.
- a) Поддържайте здрав захват на триона и позиционирайте ръцете си така, че да можете да устоите на силите на отката. Разположете тялото си от двете страни на острието, а не на една линия с острието.** *Откатът може да доведе до отскачане на триона назад, но силите на откат могат да бъдат контролирани от оператора, ако се вземат подходящи предпазни мерки.*
- b) При заклещване на острието или при прекъсване на рязането по някаква причина, освободете спусъка и задръжте триона неподвижно в материала, докато острието спре напълно. Никога не се опитвайте да отстранявате триона от обработвания материал или да дърпате триона назад, докато острието е в движение, защото може да се стигне до откат.** *Проучете и предприемете коригиращи действия, за да отстраните причината за засядането на острието.*
- c) При повторно пускане на триона в обработвания детайл центрирайте триона в прореза, така че зъбците на триона да не са забити в материала. Ако острието заседне, то може да тръгне нагоре или да отскочи от обработвания детайл при повторното стартиране на триона.**
- d) Поддържайте големи панели, за да намалите до минимум риска от притискане на острието и откат.** *Големите панели са склонни да увисват под собственото си тегло. Подпори трябва да се поставят под панела от двете му страни, близо до линията на рязане и близо до ръба на панела.*
- e) Не използвайте тъпи или повредени остриета.** *Ненаточените или неправилно настроени остриета създават тесен прорез, което води до прекомерно триене, засядане на*

острието и откат.

- f) Заклучващите лостове за регулиране на дълбочината на острието и на скосяването трябва да са затегнати и обезопасени преди извършване на рязането.** *Ако настройката на острието се измества по време на рязане, това може да доведе до засядане и откат.*
- g) Бъдете особено внимателни, когато режете в съществуващи стени или други слепи зони.** *Изпъкналото острие може да отреже предмети, които могат да предизвикат откат.*

ИНСТРУКЦИИ ЗА БЕЗОПАСНОСТ ЗА ТРИОНИ (ЦИРКУЛЯРЕН ТРИОН С ВЪТРЕШНА ЗАЩИТА НА МАХАЛОТО)

ФУНКЦИЯ НА ДОЛЕН ПРЕДПАЗИТЕЛ

- a) Проверявайте долния предпазител за правилно затваряне преди всяка употреба. Не работете с триона, ако долният предпазител не се движи свободно и не се затваря незабавно. Никога не стягайте или връзвайте долния предпазител в отворено положение. Ако трионът бъде случайно изпуснат, долният предпазител може да се огъне.** *Повдигнете долния предпазител с прибиращата се дръжка и се уверете, че той се движи свободно и не докосва острието или друга част, при всички ъгли и дълбочини на рязане.*
- b) Проверете работата на пружината на долния предпазител. Ако предпазител и пружината не работят правилно, те трябва да се ремонтират преди употреба.** *Долният предпазител може да работи бавно поради повредени части, силнисти отлагания или натрупване на замърсявания.*
- c) Долният предпазител може да се прибира ръчно само при специални разрези, като например "обработване чрез връзване" и "съставни разрези".** *Повдигнете долния предпазител чрез прибиране на ръкохватката и веднага щом ножът навлезе в материала, долният предпазител трябва да се освободи. За всички останали видове рязане долният предпазител трябва да се задейства автоматично.*
- d) Винаги следете дали долният предпазител покрива острието, преди да поставите триона на маса или на пода. Незащитеното движещо се встрани острие ще накара триона да се движи назад, режейки всичко, което се намира на пътя му. Съобразявайте се с времето, което е необходимо на острието да спре след освобождаване на превключателя.**

ДОПЪЛНИТЕЛНИ ПРАВИЛА ЗА БЕЗОПАСНОСТ ЗА ВАШИЯ ЦИРКУЛЯРЕН ТРИОН

1. Използвайте само препоръчани от производителя остриета за рязане, които отговарят на изискванията на EN 847-1, ако са предназначени за дърво и подобни материали.
2. Не използвайте абразивни дискове.
3. Използвайте само диаметър(и) на острието(ата) в съответствие с маркировката.
4. Определете правилното острие, който трябва да се използва за материала, който ще се реже.
5. Използвайте само дискове за трион, на които е отбелязана скорост, равна или по-висока от отбелязаната върху инструмента.

СИМВОЛИ



За да се намали риска от нараняване, потребителят трябва да прочете ръководството с инструкции



Предупреждение



Носете защитни очила



Носете антифони



Носете прахова маска



Носете защитни ръкавици



Двойна изолация



Излезлите от употреба електрически продукти не бива да бъдат изхвърляни заедно с битовите отпадъци. Моля, използвайте рециклиращи съоръжения там, където има такива. Информация за рециклирането може да получите от местните власти или от съответния търговец на дребно.



Заклучване



Отключване

СПИСЪК С КОМПОНЕНТИ

1. ПРЕДНА ДРЪЖКА
2. КОРПУС НА ДВИГАТЕЛЯ
3. ЪГЛОВА СКАЛА НА ОСНОВНАТА ПЛОЧА
4. ЗАКЛУЧВАНЕ НА СКОСЯВАНЕТО НА ОСНОВНАТА ПЛОЧА
5. ПАРАЛЕЛЕН ВОДАЧ
6. ЗАКЛУЧВАЩ БУТОН НА ПАРАЛЕЛЕН ВОДАЧ
7. ВДЛЪБНАТИНА НА ВОДАЧ ЗА РЯЗАНЕ
8. ДОЛЕН ПРЕДПАЗИТЕЛ НА ОСТРИЕТО
9. ОСНОВНА ПЛОЧА
10. ВЪНШЕН ФЛАНЕЦ
11. БОЛТ НА ОСТРИЕТО
12. ОСТРИЕ НА ТРИОН
13. ЛОСТ НА ДОЛНИЯ ПРЕДПАЗИТЕЛ
14. ВАКУУМЕН АДАПТЕР
15. ФИКСИРАН ПРЕДПАЗИТЕЛ
16. ПРЕВКЛЮЧВАТЕЛ ЗА ВКЛЮЧВАНЕ/ИЗКЛЮЧВАНЕ НА ЗАЩИТАТА
17. БУТОН ЗА ЗАКЛУЧВАНЕ
18. ЛОСТ ЗА РЕГУЛИРАНЕ НА ДЪЛБОЧИНАТА НА РЯЗАНЕ
19. ШЕСТОСТЕНЕН КЛЮЧ
20. БУТОН ЗА ЗАКЛУЧВАНЕ НА ШПИНДЕЛА

Не всички илюстрирани или описани аксесоари са включени в стандартната доставка.

ТЕХНИЧЕСКИ ДАННИ

Тип DX59 (59 - обозначение на машината, представител на циркулярен трион)

Номинално напрежение	220-240V~50/60Hz
Номинална мощност	1400W
Скорост без натоварване	5800/min
Клас защита	□/II
Размер на острието	185mm
Отвор на острието	16mm
Капацитет за рязане	
90°	65mm
45°	45mm
Капацитет на скосяване	0-45°
Тегло на машината	4.06kg

ИНФОРМАЦИЯ ЗА ШУМА

Претеглено звуково налягане	L_{pA} : 89.9 dB (A)
Претеглена звукова мощност	L_{wA} : 100.9 dB (A)
K_{pA} & K_{wA}	3.0 dB (A)
Носете антифони.	

ИНФОРМАЦИЯ ЗА ВИБРАЦИИТЕ

Общи стойности на вибрациите (триакс векторна сума), определени в съответствие с EN 62841:	
Емисионна стойност на вибрациите	Рязане на дърво: $a_{h,w} = 1.62 \text{ m/s}^2$ (Основна дръжка)
	Рязане на дърво: $a_{h,w} = 3.32 \text{ m/s}^2$ (Спомагателна дръжка)
	Несигурност $K = 1.5 \text{ m/s}^2$

Декларираната обща стойност на вибрациите и декларираната стойност на емисиите на шум са измерени в съответствие със стандартен метод за измерване и могат да бъдат използвани за сравняване на един инструмент с друг.

Декларираната обща стойност на вибрациите и декларираната емисия на шум може да се използва и за предварителна оценка на експозицията.



ПРЕДУПРЕЖДЕНИЕ: Стойността на емисиите на вибрации и шум при реално използване на електроинструмента може да се различава от декларираната стойност в зависимост от начините, по които инструментът се използва, в зависимост от детайла, който се обработва, и в зависимост от следните примери и други варианти за начина на използване на инструмента:

Как се използва инструментът и материалите, които се режат или пробиват.

Добро състояние и правилна поддръжка на инструмента.

Използване на правилните аксесоари за инструмента и поддържането му остър и в добро състояние.

Стегнат захват на ръкохватките и използване на противовибрационни и противощумови аксесоари. Употреба на инструмента според дизайна му и тези инструкции.

Този инструмент може да предизвика синдром на вибрация „ръка-рамо“, ако употребата му не се управлява адекватно.



ПРЕДУПРЕЖДЕНИЕ: За да бъде точна, оценката на нивото на експозиция в реалните условия на употреба трябва също да вземе предвид всички части от работния цикъл, като например времето, през което инструментът е изключен и когато работи на празен ход без реално да извършва работа. Това може значително да намали нивото на експозиция през общия работен период.

Как да намалите риска от експозиция на вибрации и шум. Винаги използвайте остри длетата, свредла и ножове.

Грижете се за инструмента според тези инструкции и го поддържайте смазан (където е приложимо). Ако инструментът ще се използва редовно, инвестирайте в противовибрационни и противощумови аксесоари.

Планирайте работния си график, за да разпределите употребата на високовибрационни инструменти в няколко отделни дни.

ACCESSORIES

Вакуумен адаптер	1
Шестостенен ключ	1
Паралелен водач	1
Острие на трион	1

Препоръчваме ви да закупите аксесоарите си от същия магазин, в който е продаден инструментът. За повече информация вижте опаковката на аксесоарите. Персоналът на магазина може да ви помогне и да ви даде съвет.

РАБОТНИ ИНСТРУКЦИИ



ЗАБЕЛЕЖКА: Преди да използвате инструмента, прочетете внимателно инструкцията за употреба.

ПРЕДНАЗНАЧЕНИЕ

Машината е предназначена за надлъжно и напречно рязане на дървесина с прави линии на рязане, както и с ъгли на скосяване до 45°, като стои стабилно върху обработвания детайл.

СГЛОБЯВАНЕ

1. МОНТИРАНЕ/СМЯНА НА ОСТРИЕТО НА ТРИОНА (ВЖ. ФИГ. А1, А2, А3)

Натиснете бутона за заключване на шпиндела и използвайте шестостенния ключ, за да разхлабите и извадите болта на острието (11). Свалете външния фланец (10). Завъртете долния предпазител на острието по посока на часовниковата стрелка, като натиснете лоста на предпазителя, за да извадите старото острие (12). Монтирайте замененото острие. Уверете се, че отворът на острието се намира на вътрешния фланец (а) и стрелката за посоката на острието сочи в същата посока като стрелката на фиксирания предпазител. Поставете външния фланец, болта на острието върху отвора на острието. Натиснете отново заключването на шпиндела и използвайте шестостенния ключ, за да затегнете болта с 1/4 оборота повече от затягане с пръст. Проверете дали острието е здраво закрепено.

⚠ ПРЕДУПРЕЖДЕНИЕ: Зъбите на острието са много остри. За да постигнете най-добри резултати при рязане, се уверете, че използвате острие, подходящо за материала и качеството на рязане, което ви е необходимо.

2. РЕГУЛИРАНЕ НА ДЪЛБОЧИНАТА НА РЯЗАНЕ (ВЖ. ФИГ. В)

Повдигнете лоста за блокиране на дълбочината на рязане и повдигнете корпуса на триона от основната плоча. Настройте дълбочината на рязане със скалата и натиснете лоста надолу, за да го заключите. Винаги прибавяйте 3 мм към дълбочината на рязане, за да може острието да пререже материала.

3. РЕГУЛИРАНЕ НА ЪГЪЛА НА ОСНОВНАТА ПЛОЧА (ВЖ. ФИГ. С1, С2)

Завъртете ключалката за скосяване на основната плоча в посока, обратна на часовниковата стрелка, за да разхлабите скалата за ъгли Наклонете основната плоча настрани от машината, докато на скалата за ъгли се настрои необходимият ъгъл на рязане. Затегнете заключването за скосяване, като я завъртите по посока на часовниковата стрелка. Не използвайте скалата за дълбочина на рязане при извършване на кососени разрези поради възможна неточност.

4. ИЗХОД ЗА ПРАХОУЛАВЯНЕ (ВЖ. ФИГ. D)

Закрепете вакуумния адаптер върху изхода за прахоулавяне, докато се застопори. Допълнително закрепете вакуумния адаптер към фиксирания предпазител с двата винта. Свържете директно подходящ вакуумен маркуч към адаптера.

Почиствайте редовно вакуумния адаптер, за да осигурите оптимално прахоулавяне. Прахосмукачката трябва да е подходяща за обработвания материал.

5. РЕГУЛИРАНЕ НА ПАРАЛЕЛНИЯ ВОДАЧ (ВЖ. ФИГ. E)

Използва се за извършване на разрези, успоредни на ръба на обработвания детайл на избрано разстояние. Плъзнете рамото на паралелния водач през фиксиращото приспособление, за да постигнете необходимото разстояние на рязане, след което затегнете заключващия бутон, за да го застопорите. Може да се използва от двете страни на основната плоча. За прави срезове използвайте маркировката за водене 0°, за да я подравните със скалата за паралелен водач. За рязане под ъгъл 45° използвайте маркировката за водене 45°, за да я подравните със скалата за паралелен водач. Затегнете здраво паралелния водач.

ЗАБЕЛЕЖКА: Най-добре е да извършите пробен разрез.

РАБОТА

1. ПОЗИЦИЯ НА ЗАХВАТ НА РЪЦЕТЕ (ВЖ. ФИГ. F)

Винаги дръжте триона здраво с двете си ръце, когато работите.

2. ПРЕДПАЗЕН ПРЕВКЛЮЧВАТЕЛ ЗА ВКЛЮЧВАНЕ/ИЗКЛЮЧВАНЕ (ВЖ. ФИГ. G)

Превключвателят е заключен, за да се предотврати случайно стартиране. Натиснете бутона за заключване и след това превключвателя за включване/изключване и освободете бутона за заключване. Превключвателят ви вече е включен. За да изключите, просто освободете превключвателя за включване/изключване. Острието може да продължи да се върти и след изключване. Изчакайте пълното спиране на машината, преди да я поставите на земята.

СЪВЕТИ ЗА РАБОТА С ВАШИЯ ЦИРКУЛЯРЕН ТРИОН

Ако електроинструментът стане прекалено горещ, стартирайте вашия циркулярен трион без натоварване в продължение на 2-3 минути, за да се охлади двигателя. Избягвайте продължителна употреба при много ниски скорости. Винаги използвайте острие, подходящо за материала и дебелината на материала, който ще се реже. Качеството на рязане се подобрява с увеличаването на броя на зъбците на острието. Винаги се уверявайте, че обработваният детайл е здраво притиснат, за да се предотврати движението му. Поддържайте големите панели близо до линията на рязане. Всяко движение на материала може да повлияе на качеството на рязане. Острието реже с ход нагоре и може да отчули най-горната повърхност или краищата на обработвания детайл. Докато режете се уверете, че най-горната повърхност е невидима повърхност, когато работата ви е завършена. Прекалено бързото подаване значително намалява производителността на машината и съкращава живота на острието. Винаги обръщайте добрата страна на обработвания детайл надолу, за да се гарантира минимално раздробяване. Използвайте само остри остриета от правилния тип.


ПОДДРЪЖКА

Преди да пристъпите към каквото и да било регулиране, обслужване или поддръжка, първо издърпайте захранващия щепсел от електрическия контакт.

Вашият електроинструмент не се нуждае от допълнително смазване или поддръжка. В него няма никакви детайли, които да се обслужват от потребителя. Никога не използвайте вода или химически препарати за почистване на електроинструмента. Почиствайте го със суха кърпа. Винаги съхранявайте вашия електроинструмент на сухо място. Поддържайте вентилационните отвори на двигателя чисти. Поддържайте всички бутони за управление чисти от прах. От време на време може да виждате искри през вентилационните отвори. Това е нормално и няма да повреди вашия електроинструмент.

Ако захранващият кабел бъде повреден, той трябва да бъде подменен от производителя, от обслужващия го представител или от друго компетентно лице с цел избягване на опасности.

ОПАЗВАНЕ НА ОКОЛНАТА СРЕДА

 Излезлите от употреба електрически продукти не бива да бъдат изхвърляни заедно с битовите отпадъци. Моля, използвайте рециклиращи съоръжения там, където има такива. Информация за рециклирането можете да получите от местните власти или от съответния търговец на дребно.

ДЕКЛАРАЦИЯ ЗА СЪОТВЕТСТВИЕ

Ние,
POSITEC Germany GmbH
Postfach 32 02 16, 50796 Cologne, Germany

Декларираме, че продуктът
Описание: **Циркулярен трион**
Тип: **DX59 (59 - обозначение на машината, представител на циркулярен трион)**
Функция: **Рязане на различни материали с въртящо се зъбчато острие**

Отговаря на следните Директиви:
2006/42/ЕС, 2014/30/EU, 2011/65/EU & (EU)2015/863

както и на стандартите:

EN 62841-1
EN 62841-2-5
EN 55014-1
EN 55014-2
EN IEC 61000-3-2
EN 61000-3-3

Лице, оторизирано да изготвя техническото досие,
Име: Marcel Filz
Адрес: POSITEC Germany GmbH
Postfach 32 02 16, 50796 Cologne, Germany



ВГ

2021/05/20
Allen Ding
Заместник-главен инженер, отговарящ за тестването и сертифицирането
Positec Technology (Китай) Co., Ltd.
18, Dongwang Road, Suzhou Industrial Park, Jiangsu
215123, P. R. China

EREDETI HASZNÁLATI UTASÍTÁS TERMÉKBIZTONSÁG ELEKTROMOS KÉZISZERSZÁMOK BIZTONSÁGOS HASZNÁLATÁVAL KAPCSOLATOS ÁLTALÁNOS FIGYELMEZTETÉSEK



FIGYELEM: Olvassa el az összes, ehhez az elektromos kéziszerszámmal szemmel ellátott biztonsági figyelmeztetést, utasítást és részletes ismertetést, illetve tekintse meg az ábrákat. Az alább felsorolt utasítások bármelyikének figyelmen kívül hagyása áramütést, tüzet és/vagy súlyos testi sérüléseket eredményezhet.

Órizzon meg minden figyelmeztetést és utasítást, a jövőben szüksége lehet ezekre. A figyelmeztetésekből használatos "elektromos kéziszerszám" kifejezés az ön hálózatról üzemeltetett (vezetékes) elektromos kéziszerszámmal vagy akkumulátoros (vezeték nélküli) elektromos kéziszerszámmal vonatkozik.

1. A MUNKATERÜLET BIZTONSÁGA

- A munkaterületet tartsa tisztán és jól megvilágítva.** A zűfolt vagy sötét munkaterület balesetveszélyhez vezethet.
- Ne üzemeltessen elektromos kéziszerszámot robbanékony légkörben, például gyúlékony folyadékok, gázok vagy por jelenléte mellett.** Az elektromos kéziszerszámok használata során szikrák keletkeznek, amelyek hatására a por vagy gáz gyulladhat.
- Elektromos kéziszerszámok működtetése közben tartsa távol a gyermekeket és bámeszkodókat.** A figyelem elterelése kontrollvesztést eredményezhet.

2. ELEKTROMOS BIZTONSÁG

- Az elektromos kéziszerszámok dugójának illeszkednie kell a dugaljba. Soha, semmilyen módon ne módosítsa a dugót. Földelt elektromos kéziszerszámokkal ne használjon adaptert.** Ha nem módosított dugókat és megfelelő dugaljat használ, azzal csökkenti az áramütés kockázatát.
- Ne érintse meg a földelt felületeket, például csöveket, radiátorokat, tűzhelyeket vagy hűtőszekrényeket.** Ha a test földelt, nagyobb az áramütés kockázata.
- Ne tegye ki esőnek vagy nedves körülményeknek az elektromos kéziszerszámokat.** Ha egy elektromos kéziszerszámba víz kerül, megnő az áramütés kockázata.
- Vigyázzon a szerszám kábelére. Soha ne hordozza, húzogassa vagy húzza ki az áramból az elektromos kéziszerszámot a kábelnél fogva. A kábelt tartsa távol a hőtől, olajtól, éles peremektől**

vagy mozgó részekről. A sérült vagy összegubancolódott kábel növeli az áramütés kockázatát.

- Ha az elektromos kéziszerszámot szabadterben üzemelteti, használjon külső használatra alkalmas hosszabbítót.** A külső használatra alkalmas kábel használatával csökken az áramütés kockázata.
- Ha elkerülhetetlen, hogy az elektromos kéziszerszámot nedves helyen működtesse, használjon maradékáram-működtetési megszakító (RCD) védelemmel rendelkező áramforrást.** A maradékáram-működtetési megszakító használata csökkenti az áramütés kockázatát.

3. SZEMÉLYI BIZTONSÁG

- Az elektromos kéziszerszám működtetése közben maradjon éber, figyeljen arra, amit csinál, és használja a józan eszét. Ne működtesse az elektromos kéziszerszámot, ha fáradt, illetve gyógyszerek, alkohol vagy drogok hatása alatt áll.** Egy pillanatnyi figyelmetlenség az elektromos kéziszerszámok működtetése közben súlyos sérülésekhez vezethet.
 - Használjon személyi védőfelszereléseket. Mindig használjon szemvédelmet.** A személyi védőfelszerelés, például pormaszok, csúszásmentes biztonsági lábbeli, védősisak vagy szükség esetén hallásvédelem használatával csökkenthető a személyi sérülések kockázata.
 - Kerülje el, hogy a szerszám véletlenül működésbe lépjen. Mielőtt az elektromos kéziszerszámot áramhoz csatlakoztatná, behelyezné az akkumulátort, felvenné vagy vinné a szerszámot ellenőrizze, hogy a kapcsoló "ki" helyzetbe legyen állítva.** Ha a szerszám hordozásakor újjat a kapcsolón tartja, vagy áram alá helyezi a bekapcsolt készülőket, az balesetekhez vezethet.
 - Mielőtt az elektromos kéziszerszámot bekapcsolná, távolítsa el róla minden állítókulcsot.** Ha az elektromos kéziszerszám forgórészein állítókulcs marad, az személyi sérüléshez vezethet.
 - Ne próbáljon túl messzire nyúlni. Mindig vigyázzon, hogy stabilan álljon, és őrizzze meg egyensúlyát.** Ez segít, hogy váratlan helyzetekben uralja az elektromos kéziszerszámot.
 - Viseljen megfelelő öltözetet. Ne viseljen bő ruházatot vagy hosszú ékszert. Haját, ruházatát és kesztyűjét tartsa a mozgó alkatrészekről távol. A bő ruházatot, hosszú ékszert vagy hosszú hajat bekapathatják a mozgó elemek.**
 - Ha a szerszámmal porszivó vagy -gyűjtő is csatlakoztatható, gondoskodjon ezek megfelelő csatlakoztatásáról és használatáról.** A porgyűjtő használatával csökkenthetőek a porral kapcsolatos kockázatok.
 - Ne hagyja, hogy a szerszám gyakori használata túl elbizakodottá tegye, és hogy ezáltal figyelmen kívül hagyja a szerszám biztonsági követelményeit.** A másodperc töredéke is elég ahhoz, hogy egy figyelmen kívül hagyott súlyos sérüléshez vezessen.
- ## 4. AZ ELEKTROMOS KÉZISZERSZÁM HASZNÁLATA ÉS KARBANTARTÁSA
- Ne erőltesse az elektromos kéziszerszámot. Mindig megfelelő**

elektromos kéziszerszámot használjon.

Ha a megfelelő elektromos kéziszerszámot használja, azzal a rendeltetési területén jobban és biztonságosabban elvégezhető a munka.

- b) **Ne használja az elektromos kéziszerszámot, ha azt nem lehet kikapcsolni.** Ha egy elektromos kéziszerszám nem szabályozható a kapcsolóval, az veszélyes, és javításra szorul.
- c) **Mielőtt a szerszámot beállítaná, tartozékot cserélné, illetve tároláskor húzza ki a dugót az áramforrásból, és/vagy vegye ki az akkumulátort az elektromos kéziszerszámából.** Ezekkel a megelőző biztonsági intézkedésekkel csökken annak a kockázata, hogy a kéziszerszám véletlenül bekapcsoljon.
- d) **Az elektromos kéziszerszámokat használaton kívül tartsa a gyermekektől távol, és ne hagyja, hogy a szerszámot vagy ezeket az utasításokat nem ismerő személyek működtessék azt.** A tapasztalatlan felhasználók kezében az elektromos kéziszerszámok veszélyessé válnak.
- e) **Tartsa karban az elektromos kéziszerszámokat. Ellenőrizze, hogy a mozgó elemek megfelelően helyezkednek-e el és nem szorultak-e be, az alkatrészek épek, és semmilyen más hiba nincs kihatással az elektromos kéziszerszám működésére. Ha sérülést talál, használat előtt javíttassa meg a szerszámot.** A nem megfelelően karbantartott elektromos kéziszerszámok sok balesetet okoznak.
- f) **A vágószerszámokat tartsa tisztán, és figyeljen, hogy élesek maradjanak.** A megfelelően karbantartott, éles vágószerszámok ritkábban akadnak meg, és egyszerűbben irányíthatóak.
- g) **Az elektromos kéziszerszámot, a kiegészítőket és fejeket használja a fenti utasításoknak megfelelően, figyelembe véve a munkakörülményeket és az elvégzendő munkát.** Ha az elektromos kéziszerszámot nem rendeltetésszerűen használja, az veszélyhelyzetet teremthet.
- h) **Órizzze szárazon, tisztán, olaj- és zsírinteszen a szerszám fogantyúit és megragadási részeit.** A csúszos fogantyúk és megragadási részek főleg váratlan helyzetekben akadályozzák a szerszám biztonságos megfogását, kezelését és irányítását.

5. Szerviz

- a) **Az elektromos kéziszerszámot csak képzett szerelő javíthatja megfelelő cserealkatrészekkel.** Ez biztosítja az elektromos kéziszerszám biztonságos működését.

BIZTONSÁGI FIGYELMEZTETÉSEK AZ ÖSSZES FŰRÉSZRE VONATKOZÓAN

FŰRÉSZELÉSI ELJÁRÁS

- a) **VIGYÁZAT: Kezét tartsa távol a vágófelülettől és a fűrésztrácsától. A másik kezét tartsa a kiegészítő karon vagy a motorházon.** Ha két kézzel tartja a

fűrész, nem vághatja el kezét a fűrésztrácsával.

- b) **Ne nyúljon a munkadarab alá.** A munkadarab alatt a védőburkolat nem véd a fűrésztrácsától.
- c) **A vágásmélységet a munkadarab vastagságának figyelembe vételével állítsa be.** A fűrésztrácsa fogazatának látható része a munkadarab alatt kisebb kell legyen, mint egy fog magassága.
- d) **A munkadarabot soha ne tartsa a kezében vagy a lábán. Erősítse a munkadarabot merev alappal.** Fontos a megfelelő alátámasztás az egyes testrészek érintkezésének veszélye, a fűrésztrácsa beragadása vagy a kontroll elvesztése esélyének csökkentése érdekében.
- e) **Az elektromos kéziszerszámot csak a szigetelt fogófelületeknél fogja meg, ha fennáll a veszélye, hogy a vágásra használt tartozék a rejtett vezetékeket vagy a saját hálózati vezetékét is átvághatja.** Ha a vágótárcsa feszültség alatt álló vezetékhez ér, az elektromos kéziszerszám szabadon álló fémrészei szintén feszültség alá kerülhetnek és áramütést okozhatnak.
- f) **A hosszanti vágásnál mindig használjon vezetőmércezt vagy egyenes vonalú szélvezetőt.** Ezáltal jobb lesz a vágás pontossága, és csökken a fűrésztrácsa beragadásának veszélye.
- g) **Használjon mindig megfelelő nagyságú és alakú befogó nyílású fűrésztrácsát (rombusz vagy kör).** Azok a fűrésztrácsák, amelyek pontosan nem felelnek meg a fűrész befogó részeinek, lökhetnek, vagy a szerszám feletti kontroll elvesztéséhez vezethetnek.
- h) **Soha ne használjon megragadott vagy helytelen alátéteket vagy fűrésztrácsa befogó anyacsavart.** A fűrésztrácsához tartozó alátéteket és anyacsavarokat speciálisan a fűrészhez tervezték, az optimális teljesítmény és a munka biztonsága érdekében.

TOVÁBBI BIZTONSÁGI ELŐÍRÁSOK AZ ÖSSZES FŰRÉSZRE VONATKOZÓAN

A VISSZARÚGÁS OKAI ÉS KAPCSOLÓDÓ FIGYELMEZTETÉSEK

- A visszarúgás a beszorult, beblokkolt vagy nem kiegyensúlyozott fűrésztrácsa hirtelen reakciója, mely a fűrész kontroll nélküli mozgását jelentheti, illetve a munkadarabból való kiesését a felhasználó felé.
- Ha a fűrésztrácsa be van szorulva, vagy teljesen be van blokkolva a vágásban, megáll a motor reakciós ereje, és ez gyors visszalökést jelenthet a felhasználó felé.
- Ha a fűrésztrácsa el van fordítva, vagy nincs kiegyensúlyozva a vágásban, a fogak a fűrésztrácsa hátsó részén felülről beleütközhetnek a fa felületébe, így a fűrésztrácsa kiugrik a

vágásból, a fűrész pedig kiesik a munkadarabból a felhasználó felé.

A visszarugás a fűrész helytelen használatának és/vagy annak az oka, hogy nincsenek betartva a használati utasítások, amelyek megelőzhetőek az alábbi óvintézkedések figyelembevételével.

- a) **A fűrész fogja erősen, karját pedig tartás olyan helyzetben, hogy ellenállhasson a visszarugás erejének. Teste a fűrész tárcsára egyik vagy másik oldalán legyen, de ne egy vonalban a fűrész tárcsával.** A visszarugás következtében a fűrész visszaugorhat, azonban a visszarugás erejét a felhasználó irányítani tudja, ha betartja a megfelelő biztonsági utasításokat.
- b) **Ha a fűrész tárcsa beszorult, vagy bármilyen okból meg kell szakítani a vágást, engedje fel a kapcsolót, és tartsa a fűrész tárcsát a munkadarabban, amíg a fűrész teljesen meg nem áll. Soha ne próbálja meg kiemelni vagy visszahúzni a fűrész tárcsát a vágásból, ha a fűrész tárcsa mozgásban van, mivel ez visszarugáshoz vezethet.** Tanulmányozza és tegye meg a szükséges javító intézkedéseket, hogy ki tudja iktatni a fűrész tárcsa beszorulásának okát.
- c) **Ha a körfűrész tárcsával merített fűrész tárcsával indítja újra, központosítsa a tárcsát a vágási árokban, és győződjön meg róla, hogy a fogak nem ütköznek az anyagba.** Ha a fűrész tárcsa fordulata korlátozva van, az újraindításkor a fűrész kijöhet a munkadarabból, vagy visszaugorhat.
- d) **Ha nagy lapokat vág, jól támassza ezeket alá, hogy meggátolja a fűrész tárcsa beszorulását és a visszarugást.** Saját súlyukból kifolyólag, a nagy lapok hajlamosak az elhajlásra. Úgy a vágás közelében, mint a lap széle közelében, a lap alá mindkét oldalról egy-egy alátétet kell helyezni.
- e) **Ne használjon tompa vagy megrongált körfűrész tárcsákat.** Az élelten vagy helytelen beállítású fűrész tárcsák keskeny vágási árkot képeznek, és ezáltal nagy súrlódást okoznak, amely korlátozza a fűrész tárcsa forgását, és visszarugáshoz vezethet.
- f) **Mielőtt vágni kezd, szorítsa meg és rögzítse a fűrész tárcsa vágásmélység- és szögbeállító lezáró karjait.** Ha vágás közben változik a fűrész tárcsa beállításának helyzete, ez a fűrész tárcsa beszorulásához és visszarugáshoz vezethet.
- g) **Legyen különösen óvatos, amikor falba vagy olyan helyre meríti a körfűrész tárcsát, ahová nem lát be.** A fűrész tárcsa, amely átjut a munkadarab másik oldalára, akadályba ütközhet, és ez visszarugást eredményezhet.

BELSŐ LENGŐVÉDŐVEL FELSZERELT KÖRFŰRÉSZEKRE VONATKOZÓ BIZTONSÁGI UTASÍTÁSOK

ALSÓ VÉDŐFUNKCIÓ

- a) **Minden használat előtt ellenőrizze, hogy az alsó védőburkolat rendesen zárjon. Ne dolgozzon a fűrészszel, ha az alsó védőburkolat nem mozog szabadon, és nem zár azonnal. Soha ne biztosítsa be a védőburkolatot nyitott helyzetben szorítóval vagy kikötéssel.** Ha a fűrész véletlenül a földre esik, a védőburkolat elhajolhat. Ellenőrizze, hogy a védőburkolat szabadon mozog-e bármilyen szögű kinyitáskor, vagy a beállított vágás mélység nem érinti-e a körfűrész tárcsáját, és a körfűrész valamelyik részét.
- b) **Ellenőrizze a védőburkolat rugójának működését. Ha a védőburkolat és a rugó működése nem megfelelő, használat előtt ezt meg kell javíttatni.** Az alsó védőburkolat lassan reagálhat valamely részének megrongálódása, ragacsos lerakódások vagy szennyeződések miatt.
- c) **Az alsó védőburkolatot csak speciális vágások, például "bemerítő vágás" vagy "kombinált vágás" esetén szabad kézzel visszahúzni. A kart visszahúzva emelje fel az alsó védőburkolatot, majd amikor a körfűrész tárcsája behatol az anyagba, engedje le az alsó védőburkolatot.** Az alsó védőburkolat működésének minden más vágás esetében automatikusnak kell lennie.
- d) **Mielőtt a körfűrész tárcsát a munkaasztalra vagy az aljzatra engedi, ellenőrizze, hogy a védőburkolat teljesen fedi-e a körfűrész tárcsáját. A nem védett kifutó fűrész tárcsa a fűrész visszairányuló mozgását eredményezheti, és vág mindent, ami az útjában van. Legyen tudtában annak, hogy mennyi ideig tart a körfűrész tárcsájának leállása a kapcsoló kikapcsolásától számítva.**

TOVÁBBI BIZTONSÁGI SZABÁLYOK A KÖRFŰRÉSSZEL KAPCSOLATBAN

1. Csak az EN 847-1 szabványnak megfelelő és a gyártó által ajánlott, fához vagy hasonló anyagok elfűrészeléséhez való körfűrész tárcsákat használjon.
2. Ne használjon kőszőrűköveket.
3. Ne használjon semmilyen csiszolókorongot.
4. Csak a jelöléseknek megfelelő fűrész tárcsa-átmérő(ke)t használjon.
5. Csak a gépen feltüntetett fordulatszámmal egyenlő vagy annál nagyobb fordulatszámú működtethető körfűrész tárcsákat használjon.

SYMBOLS



A sérülésveszély csökkentése érdekében a felhasználónak el kell olvasnia az utasításokat



Figyelmeztetés



Viseljen szemvédőt



Viseljen fülvédőt



Viseljen pormaszkot



Viseljen védőszemüveget



Dupla szigetelés



A leselejtezett elektromos készülékek nem dobhatók ki a háztartási hulladékkal. Ha van a közelben elektromos hulladék gyűjtő udvar, vigye oda a készüléket. Az újrahasznosítási lehetőségekről tájékozódjon a helyi hatóságoknál vagy a kereskedőnél.



Zár



Nyit

ALKATRÉSZLISTA

1. ELÜLSŐ FOGANTYÚ
2. MOTORHÁZ
3. TALPLEMEZ SZÖGSKÁLA
4. TALPLEMEZ-RÉZSELÉS RÖGZÍTŐGOMB
5. PÁRHUZAMOS VEZETŐPANEL
6. PÁRHUZAMOS VEZETŐPANEL RÖGZÍTŐGOMB
7. VÁGÁSZVEZETŐ HORONY
8. ALSÓ FŰRÉSZLAP-VÉDŐLEMEZ
9. TALPLEMEZ
10. TÁM-ILLESZTŐPEREM
11. FŰRÉSZLAP CSAVAR
12. FŰRÉSZLAP
13. ALSÓ VÉDŐLEMEZKAR
14. LÉGSZÍVÓ ADAPTER
15. RÖGZÍTETT VÉDŐBURKOLAT
16. BIZTONSÁGI FŐKAPCSOLÓ
17. RETESZELŐ GOMB
18. VÁGÁSMÉLYSÉG-BEÁLLÍTÓ KAR
19. IMBUSZKULCS
20. ORSÓZÁR GOMB

Nem minden ábrázolt vagy ismertetett tartozék része az alapsomagnak.

MŰSZAKI ADATOK

Típus DX59 (59 – a gép megnevezése, körfűrész típus)

Névleges feszültség	220-240V~50/60Hz	
Névleges teljesítmény	1400W	
Üresjárat sebesség	5800/min	
Védelmi osztály	□/II	
Fűrészlap mérete	185mm	
Fűrészlap furat	16mm	
Vágási kapacitás		
	90°	65mm
	45°	45mm
Ferde vágás szögtartománya		0-45°
Gép súlya		4.06kg

ZAJÉRTÉKEK

A-súlyozású hangnyomásszint	L_{pA} : 89.9 dB (A)
A-súlyozású hangerő	L_{WA} : 100.9 dB (A)
K_{pA} & K_{WA}	3.0 dB (A)
Viseljen fülvédőt.	

HU

REZGÉSÉRTÉKEK

Az EN 62841 szabvány szerint meghatározott összes rezgés (háromtengelyű vektoriálisösszeg) a következő:	
Fúrás fémbe	Fa vágás: $a_{n,W} = 1.62 \text{ m/s}^2$ (Fő fogantyú)
	Fa vágás: $a_{n,W} = 3.32 \text{ m/s}^2$ (Segédfofogyantyú)
	Bizonytalanság $K = 1.5 \text{ m/s}^2$

A vibráció és a zaj bejelentett összértékét szabványos mérési módszerrel állapították meg, és ezeket az értékeket két szerszám összehasonlításához is fel lehet használni.

A vibráció és a zaj bejelentett összértékeit a rezgéseknek és zajartalomnak való kitettség előzetes felbecsléséhez is fel lehet használni.

FIGYELEM: A kéziszerszám aktuális használatakor mérhető vibráció és zajkibocsátási értékek eltérhetnek a bejelentett értékektől, mert nagyban függnek a szerszám használati módjától és a megmunkált alkatrész típusától. Íme néhány példa és eltérő érték a szerszám használatától függően:

Hogyan használják a szerszámot, milyen anyagokat vágják vagy fúrják.

Az eszköz jó állapotban van-e, megfelelően karbantartják-e.

Megfelelő tartozékokat használnak-e az eszközhöz, vigyáznak-e, hogy éles legyen, és jó állapotban maradjon.

A fogantyú megragadásának erősségétől és az esetleg használt vibrációs- és zajcsökkentő tartozékok típusától.

A szerszámot rendeltetésszerűen, kialakításának és a jelen utasításoknak megfelelően használják-e.

Ha a szerszámot nem kezelik megfelelően, kéz-kar vibrációs szindrómát okozhat.

FIGYELEM: A pontosság érdekében az expozíciós szint becslött értékéhez a valós használati körülmények között figyelembe kell venni a működési ciklus valamennyi elemét, így azt az időt is, amikor a szerszám ki van kapcsolva, és amikor üresjáratban működik. Ez a teljes munkaidőszak viszonylatában jelentősen csökkentheti az expozíciós szintet.

A vibrációnak és zajnak való kitettség kockázatának csökkentése.

MINDIG éles vésőt, pengét, és hegyes fúrófejet használjon.

Az eszközt jelen utasításoknak megfelelően tartsa karban, és vigyázzon a megfelelő kenésre (ahol erre szükség van).

Ha a szerszám rendszeres használatát tervezik, akkor megéri a vibráció- és zajcsökkentő tartozékok beszerzése.

Úgy tervezze meg a munkáját, hogy a magas rezgésszámú eszközök használatát igénylő feladatokat több napra ossza el.

TARTOZÉKOK

Porelszívó	1
Imbuszkulcs	1
Párhuzamos vezetőpanel	1
Fűrészlap	1

Javasoljuk, hogy a tartozékokat ugyanabból a boltból vásárolja meg, ahol a szerszámot is vásárolta. További részleteket a tartozék csomagolásán talál. Kérjen segítséget és tanácsot a bolti eladóktól.

HASZNÁLATI UTASÍTÁSOK



MEGJEGYZÉS: A szerszám használata előtt olvassa el figyelmesen a használati útmutatót.

RENDELTESSZERŰ HASZNÁLAT

A gép a fa hosszanti és keresztirányú vágására szolgál egyenes vágási vonalakkal, valamint 45°-ig terjedő ferde szögekkel, miközben stabilan a munkadarabra támaszkodik.

ÖSSZESZERELÉS

1. A FÜRÉSZLAP FELSZERELÉSE/KICSERELÉSE (LÁSD AZ A1., A2., A3. ÁBRÁKAT)

Nyomja meg az orszózár gombot, és a imbuszkulccsal lazítsa meg és vegye ki a fűrészlap csavart (11). Távolítsa el a tám-illesztőperemet (10). Az alsó fűrészlap-védőlemezt a védőkár megnyomásával az óramutató járásával megegyező irányba elforgatva vegye ki a régi fűrészlapot (12). Illessze be a helyére a lecserélt fűrészlapot. Győződjön meg arról, hogy a fűrészlap furata a befogó-illesztőperemen (a) helyezkedik el, és a fűrészlap iránynyila a rögzített védőburkolaton látható nyílall azonos irányba mutat. Helyezze a tám-illesztőperemet, a fűrészlap csavart a fűrészlap furatára. Nyomja meg ismét az orszózárát, és az imbuszkulccsal húzza meg a csavart az ujjnál 1/4 fordulatlán nagyobb mértékben. Ellenőrizze, hogy a fűrészlap biztonságosan be van-e szorítva.



FIGYELEM! A fűrészlap fogai nagyon élesek. A legjobb vágási eredmények érdekében biztosítsa, hogy a kívánt anyagnak és vágási minőségnek megfelelő fűrészlapot használjon.

2. VÁGASMÉLYSÉG-BEÁLLÍTÓ KAR (LÁSD AZ B. ÁBRÁT)

Emelje fel a vágási mélység rögzítőkart, és emelje el a fűrésztestet a talplemeztől. Állítsa be a vágási mélységet a skála segítségével, és nyomja le a kart a rögzítéshez. A vágási mélységhez mindig adjon hozzá 3 mm-t, hogy a fűrészlap át tudja vágni az anyagot.

3. A TALPLEMEZ SZÖGBEÁLLÍTÁSA (LÁSD AZ C1., C2. ÁBRÁKAT).

A szögskála megglazításához fordítsa el a talplemez ferde zárját az óramutató járásával ellentétes irányba. Döntse el a talplemez a géptől, amíg a szögskálán be nem állítja a kívánt vágási szöget. Húzza meg a rézselési zárat az óramutató járásával megegyező irányban elforgatva. Ne használja a vágási mélységskálát ferde vágások készítésekor a lehetséges pontatlanság miatt.

4. PORELSZÍVÓ KIMENETI NYÍLÁS (LÁSD AZ D. ÁBRÁT)

Rögzítse a légszívó adaptert a porelszívó kivezető nyílásra, amíg be nem záródik. Rögzítse továbbá a légszívó adaptert a két csavarral a rögzített védőburkolathoz. Közvetlenül csatlakoztasson egy megfelelő porszívótömlőt az adapterhez.

Az optimális porelszívás érdekében rendszeresen tisztítsa meg a légszívó adaptert. A porszívónak alkalmasnak kell lennie a megmunkálandó anyaghoz.

5. PÁRHUZAMOS VEZETŐPANEL BEÁLLÍTÁSA (LÁSD AZ E. ÁBRÁT)

A munkadarab élével párhuzamos vágások készítésére szolgál egy kiválasztott távolságban. Csúsztassa a párhuzamos vezetőpanel kart a rögzítőn keresztül a kívánt vágási távolság eléréséhez, majd húzza meg a rögzítőgombot a rögzítéshez. A talplemez mindkét oldaláról használható. Az egyenes vágáshoz használja a 0°-os vezetési jelet a párhuzamos vezetőpanellel való összehangoláshoz. 45°-os ferde vágáshoz használja a 45°-os vezetési jelet a párhuzamos vezetőpanellel való összehangoláshoz.

Rögzítse biztonságosan a párhuzamos vezetőpanelt. **MEGJEGYZÉS:** A legjobb, ha próbavágást végez.

MŰKÖDTETÉS

1. KÉZI MARKOLAT HASZNÁLATA (LÁSD AZ F. ÁBRÁT)

A fűrészlát működés közben mindig tartsa erősen, mindkét kezével.

2. BIZTONSÁGI FŐKAPCSOLÓ (LÁSD AZ G. ÁBRÁT)

A kapcsolója zárólva van, hogy megakadályozza a véletlen elindulást. Nyomja le a zároló gombot balra vagy jobbra, majd a főkapcsolót, és engedje fel a zároló gombot. A kapcsoló most már be van kapcsolva. Kikapcsoláshoz csak engedje fel a főkapcsolót. A fűrészlap a kikapcsolás után tovább froghat. Várja meg, amíg a gép teljesen megáll, mielőtt leteszi.

AZ ESZKÖZ HASZNÁLATÁVAL KAPCSOLATOS JAVASLATOK

Amennyiben fűrészlát túlságosan felmelegedik, kérjük, járassa fűrészlát terhelés nélkül 2-3 percig a motor lehűlése érdekében. Kerülje a hosszú ideig tartó használatot nagyon alacsony sebesség alatt. Óvja a fűrészlapokat az ütődéstől és rázkódtástól. A túlzott előtöltés jelentősen csökkenti a gép teljesítőképességét, illetve a fűrészlap élettartamát. A fűrészlát teljesítmény és a vágás minősége alapvetően függ a fűrészlap fogainak számától. Éppen ezért csak olyan éles fűrészlapot használjon, amely megfelel a feldolgozandó anyagnak. Fűrészlap választása: 24 fogas általános munkához, kb. 40 fogas finom vágásokhoz, több mint 40 fogas nagyon finom, kényes felületbe történő vágásokhoz, gyémánt a csempéhez, cementlaphoz stb. Csak a javasolt fűrészlapot használja.

A SZERSZÁMOK KARBANTARTÁSA

Bármilyen állítás, javítás vagy karbantartási művelet előtt húzza ki a kábelt a konnektorból.

A szerszámokat tartsa élesen és tisztán a jobb és biztonságosabb teljesítmény érdekében. Kövesse az utasításokat a kenésre és a tartozékok cseréjére vonatkozóan. Időnként ellenőrizze az eszköz kábelét, és amennyiben sérülést észlel rajta, javíttassa meg egy erre jogosult szolgáltatóval. Az elektromos kéziszerszámot nem szükséges megkenni vagy karbantartani. Az elektromos kéziszerszám nem tartalmaz a felhasználó által javítható alkatrészeket. Soha ne használjon vizet vagy vegyi tisztítószereket a szerszám tisztításához. Törölje tisztára egy száraz ronggyal. A szerszámot mindig száraz helyen tárolja. Tartsa tisztán a motor szellőzőnyílásait. Minden szabályozóeszközt tartson pormentesen.

Amennyiben az áramellátó kábel sérült, a gyártónak, a megbízott szerviznek vagy egy hasonlóan képzett szakembernek ki kell cserélnie azt a kockázatok elkerülése érdekében.

Időnként tisztítsa meg a védőburkolatot és a talpat a portól és szilánktól a megfelelő teljesítmény biztosításához.

KÖRNYEZETVÉDELEM



A leselejtezett elektromos készülékek nem dobhatók ki a háztartási hulladékkal. Ha van a közelben elektromos hulladék gyűjtő udvar, vigye oda a készüléket. Az újrahasznosítási lehetőségekről tájékozódjon a helyi hatóságoknál vagy a kereskedőnél

MEGFELELŐSÉGI NYILATKOZAT

We,
POSITEC Germany GmbH
Postfach 32 02 16, 50796 Cologne, Germany

Kijelenti, hogy a termék:
Leírás **Körfűrész**
Típus **DX59 (59-megjelölés fűrész jelöl)**
Rendeltetés **Különböző anyagok vágása egy forgó fogazott fűrészlap segítségével**

Megfelel a következő irányelveknek:
**2006/42/EC, 2014/30/EU, 2011/65/
EU&(EU)2015/863**

Az alábbi normáknak
EN 62841-1
EN 62841-2-5
EN 55014-1
EN 55014-2
EN IEC 61000-3-2
EN 61000-3-3

A műszaki dokumentáció összeállítására jogosult személy:

Név Marcel Filz
Cím POSITEC Germany GmbH
Postfach 32 02 16, 50796 Cologne, Germany



2021/05/20
Allen Ding
Helyettes főmérnök, Tesztelés és minősítés
Positec Technology (China) Co., Ltd
18, Dongwang Road, Suzhou Industrial
Park, Jiangsu 215123, P. R. China

INSTRUCȚIUNI ORIGINALE SECURITATEA PRODUSULUI AVERTISMENTE GENERALE DE SIGURANȚĂ PENTRU UNELTE ELECTRICE

⚠ ATENȚIONARE: Citiți toate atenționările de siguranță și parcurgeți toate instrucțiunile, ilustrațiile și specificațiile atașate acestei scule electrice. Nerespectarea tuturor instrucțiunilor enumerate mai jos poate duce la electrocutare, incendiu și/sau leziune corporală gravă.

Păstrați toate avertismentele și instrucțiunile pentru consultări ulterioare.

Termenul „unealtă electrică” din avertismente se referă la o unealtă electrică alimentată de la rețeaua de energie electrică (prin cablu) sau la o unealtă electrică alimentată de la un acumulator (fără cablu).

1. SIGURANȚA ZONEI DE LUCRU

- Mențineți zona de lucru curată și bine iluminată.** Zonele de lucru în dezordine și întunecoase favorizează accidentele.
- Nu utilizați uneltele electrice în atmosfere explozive, de exemplu în prezența unor lichide, gaze sau praf inflamabile.** Uneltele electrice provoacă scântei ce pot aprinde pulbera sau vaporii.
- Asigurați-vă că nu sunteți în apropiere persoane și copii în timpul funcționării unei unelte electrice.** Distragerea atenției poate duce la pierderea controlului uneltei.

2. SIGURANȚA ELECTRICĂ

- Figele uneltei electrice trebuie să se potrivească perfect în priză de alimentare. Nu modificați niciodată ștecherul.** Nu folosiți niciun adaptor pentru uneltele electrice cu împământare. Utilizarea ștecherelor nemodificate în prize corespunzătoare va reduce riscul electrocutării.
- Evitați contactul fizic cu suprafețe cu legătură la pământ, cum ar fi țevi, radiatoare, mașini de gătit sau frigider.** Riscul electrocutării este mai mare în cazul în care corpul dumneavoastră vine în contact cu suprafața împământată.
- Nu expuneți uneltele electrice la ploaie sau la umiditate.** Dacă intră apă în unealta electrică, riscul electrocutării este mai mare.
- Nu deteriorați cablul de alimentare. Nu folosiți niciodată cablul pentru transportarea, tragerea sau scoaterea din priză a uneltei electrice.** Păstrați cablul de alimentare la distanță de căldură, ulei, margini ascuțite sau părți mobile. Cablurile deteriorate sau încurcate măresc riscul electrocutării.
- Când folosiți uneltele electrice în exterior, utilizați un prelungitor potrivit pentru utilizarea în exterior.** Utilizarea unui cablu potrivit pentru uzul în exterior reduce riscul

electrocutării.

- Dacă utilizarea uneltei electrice într-un loc umed nu poate fi evitată, folosiți o alimentare protejată cu dispozitiv de curent rezidual (RCD).** Folosirea unui dispozitiv RCD reduce riscul electrocutării.

3. SIGURANȚA PERSONALĂ

- Fiți concentrat, urmăriți ceea ce faceți și dați dovadă de simț practic când folosiți o unealtă electrică. Nu folosiți o unealtă electrică dacă sunteți obosit sau sub influența drogurilor, a alcoolului sau a medicamentelor.** O clipă de neatenție în timpul funcționării uneltei electrice poate duce la accidentări personale grave.
 - Folosiți echipament personal de protecție. Purtați întotdeauna ochelari de protecție. Echipamentele de protecție precum masca de protecție contra prafului, încălțăminta cu talpă antiderapantă, cască sau protecția pentru urechi vor reduce riscul accidentărilor, utilizate în mod corespunzător.**
 - Preveniți punerea accidentală în funcțiune. Asigurați-vă că întrerupătorul se află în poziția de oprire înainte de a face conectarea la sursa de alimentare și/sau la acumulator, înainte de a ridica sau a transporta uneltele. Transportarea uneltelor electrice ținând degetul pe întrerupător sau alimentarea acestora cu întrerupătorul pornit poate duce la accidentări.**
 - Scoateți orice cheie de reglare sau cheie de piulițe înainte de a porni uneltele electrice.** O cheie de piulițe sau o altă cheie rămasă prinsă de o componentă rotativă a uneltei poate duce la rănirea personală.
 - Păstrați un echilibru corect. Mențineți-vă permanent echilibrul și sprijiniți-vă ferm pe picioare.** Acest lucru permite un control mai bun al uneltei electrice în situații neprevăzute.
 - Îmbrăcați-vă corespunzător. Nu purtați îmbrăcăminte prea largă sau bijuterii. Țineți la distanță părul și hainele dvs. de piesele în mișcare ale uneltei electrice.** Hainele prea largi, bijuteriile și părul lung se pot prinde în piesele mobile.
 - Dacă sunt furnizate accesoriile pentru conectarea unor dispozitive de aspirare și colectare a prafului, asigurați-vă că acestea sunt montate și folosite corect.** Folosirea colectorului de praf poate reduce riscul accidentărilor din cauza prafului.
 - Nu lăsați ca odată cu familiarizarea dvs. cu utilizarea uneltei să deveniți indolenți și să uitați respectarea principiilor de siguranță ale uneltei electrice.** Orice acțiune nesăbuită poate duce la leziuni corporale grave într-o fracțiune de secundă.
- ## 4. UTILIZAREA ȘI ÎNȚEȚINEREA UNELTELOR ELECTRICE
- Nu forțați uneltele electrice. Folosiți uneltele electrice potrivit pentru aplicație.** Cu uneltele electrice potrivite, veți lucra mai bine și mai în siguranță, la viteza pentru care a fost concepută.


- b) Nu folosiți unealta electrică dacă nu o puteți porni sau opri de la întrerupător.** Orice unealtă electrică ce nu poate fi acționată de la întrerupător este periculoasă și trebuie reparată.
- c) Scoateți ștecherul din sursa de curent și/ sau scoateți bateria din unealta electrică înainte de a efectua reglaje, de a schimba accesoriile sau de a depozita uneltele electrice.** Astfel de măsuri de siguranță reduc riscul pornirii accidentale a uneltei electrice.
- d) Nu lăsați uneltele electrice la îndemâna copiilor și nu permiteți persoanelor ce nu știu să le manevreze și nu cunosc instrucțiunile să acționeze aceste unelte.** Uneltele electrice sunt periculoase în mâinile utilizatorilor neinstruiți.
- e) Întreținerea uneltei electrice și ale accesoriilor aferente. Verificați posibila aliniere incorectă sau posibila blocare a componentelor mobile, deteriorarea componentelor sau orice alte situații care pot afecta funcționarea uneltei electrice. Dacă unealta electrică este deteriorată, reparați-o înainte de utilizare.** Multe accidente sunt provocate din cauza întreținerii incorecte a uneltelor.
- f) Uneltele de tăiere trebuie menținute ascuțite și curate.** Riscul blocării uneltelor de tăiere cu margini ascuțite întreținute corect este mai mic și acestea sunt mai ușor de controlat.
- g) Folosiți unealta electrică, accesoriile, piesele etc. conform acestor instrucțiuni, luând în considerare condițiile de lucru și operația de efectuat.** Folosirea uneltei electrice pentru operații diferite de cele pentru care a fost concepută poate duce la accidentare.
- h) Păstrați uscate, curate și fără urme de ulei sau grăsime mânerul și suprafețele de apucare ale uneltei.** Mânerul și suprafețele de apucare alunecoase împiedică manipularea și controlul sigur al uneltei tocmai în cele mai neașteptate situații.

5. Service

- a) Service-ul uneltei electrice trebuie efectuat de persoane calificate, folosind doar piese de schimb originale.** Acest lucru va asigura folosirea în continuare a uneltei electrice în siguranță.

AVERTISMENT DE SIGURANȚĂ VALABIL PENTRU TOATE FERĂSTRĂILE

PROCES DE TĂIERE

- a)  PERICOL: Țineți mâinile la distanță de zona de tăiere și discul circular al ferăstrăului. Țineți mâinile pe mânerul auxiliar sau pe carcasa motorului. Dacă ambele mâini sunt fixate pe ferăstrău, acestea nu pot fi tăiate de către discul circular.**
- b) Nu introduceți mâna sub piesa de**

prelucrat. Apărătoarea nu vă protejează împotriva discului sub piesa de prelucrat.

- c) Reglați adâncimea de tăiere la grosimea piesei de prelucrat.** Mai puțin de un dinte complet al discului trebuie să fie vizibil sub piesa de prelucrat.
- d) Nu țineți niciodată în mână sau pe picioare piesa pe care o tăiați. Fixați piesa de prelucrat pe o platformă stabilă.** Este important să susțineți corespunzător piesa de prelucrat pentru a reduce expunerea corpului, îndoirea discului sau pierderea controlului.
- e) Țineți unealta electrică numai de suprafața izolată de prindere atunci când efectuați o operațiune la care accesoriul de debitare poate intra în contact cu circuite electrice ascunse sau cu cablul propriu de alimentare.** Accesoriul de debitare care intră în contact cu un cablu sub tensiune poate descoperi părțile metalice ale acestuia și poate provoca electrocutarea operatorului.
- f) Când spintecați, folosiți întotdeauna o riglă de ghidare sau un ghidaj cu margine dreaptă.** Astfel sporii precizia de tăiere și reduceți riscul de înțepnire a discului.
- g) Utilizați întotdeauna discuri de dimensiunea și forma corectă (diamant versus rotund) pentru orificiile axului.** Discurile care nu coincid componentelor de montare ale ferăstrăului vor funcționa excentric, cauzând pierderea controlului asupra uneltei.
- h) Nu utilizați niciodată șaibe sau bolțuri deteriorate sau incorecte pentru discuri.** Șaibe și bolțurile pentru discuri au fost concepute special pentru ferăstrăul dumneavoastră, pentru performanțe optime și operare în siguranță.

INSTRUCȚIUNI SUPLIMENTARE PRIVIND SIGURANȚA PENTRU TOATE FERĂSTRĂILE

Cauze ale reculului și alte avertismente similare

- Reculul este o reacție bruscă la un disc de ferăstrău agățat, blocat sau nealiniat, cauzând ridicarea și ieșirea din piesa de prelucrat a unui ferăstrău scăpat de sub control, înspre operator.
 - Când discul este prins sau înțepenit la închiderea fantei, acesta se blochează, iar reacția motorului împinge rapid unitatea înapoi înspre operator.
 - Dacă discul se răsuțește sau este nealiniat în timpul tăierii, dinții din spate pot pătrunde în suprafața superioară a lemnului cauzând ieșirea din fantă a discului și reculul înspre operator. Reculul este rezultatul utilizării incorecte a ferăstrăului și/sau al procedurilor sau condițiilor de lucru necorespunzătoare, putând fi evitat prin adoptarea unor măsuri de precauție adecvate prezentate în continuare.
- a) Țineți ferăstrăul strâns și poziționați mâna astfel încât să faceți față forțelor de recul. Poziționați-vă corpul de o parte și de alta a discului, dar niciodată în linie cu**

- el. Poziționați cealaltă mână departe de traiectoria ferăstrăului.** *Reculul ar putea cauza aruncarea ferăstrăului înapoi, dar forțele de recul pot fi controlate de către operator, dacă sunt luate măsurile de precauție adecvate.*
- b) Când discul este înțepenit sau când interupeți o tăietură din diferite motive, eliberați butonul declanșator și țineți ferăstrăul nemișcat în material până când discul se oprește complet. Nu încercați niciodată să îndepărtați ferăstrăul din piesa pe care o tăiați sau să-l trageți înapoi în timpul rotației discului, deoarece puteți cauza un recul.** *Investigați și luați măsuri corective pentru a elimina cauza prinderii pânzei.*
- c) Când reporniți un ferăstrău în piesa de prelucrat, centrați discul ferăstrăului în fantă și verificați dacă dinții discului nu sunt prinși în material.** *Dacă discul ferăstrăului este blocat în material, acesta se poate ridica sau poate fi împins înapoi din piesa de prelucrat atunci când îl reporniți.*
- d) Rezemați panourile mari pentru a reduce riscul prinderii sau reculului discului.** *Panourile mari au tendința să se încovoieze sub propria greutate. Pe ambele părți ale panoului trebuie așezate suporturi, mai exact în apropierea liniei de tăiere și în apropierea marginii panoului.*
- e) Nu utilizați discuri uzate sau deteriorate.** *Pânzele neascuțite sau montate incorect produc o fantă îngustă, cauzând o fricțiune excesivă și prinderea și reculul discului.*
- f) Pârghiile de blocare pentru adâncimea de tăiere a discului și ajustarea înclinării trebuie să fie strânse și fixate înaintea efectuării tăieturii.** *Dacă dispozitivul de reglare a discului alunecă în timpul tăierii, ar putea cauza prinderea și reculul.*
- g) Acordați o atenție sporită atunci când tăiați în pereții existenți sau în alte zone mascate.** *Discul poate tăia obiecte, rezultând un recul.*

INSTRUCȚIUNI DE SIGURANȚĂ PENTRU FERĂSTRĂUL CIRCULAR CU DISPOZITIV DE PROTECȚIE INFERIOR

FUNCȚIA APĂRĂTORII INFERIOARE

- a) Verificați dacă dispozitivul de protecție inferior este închis corect înainte de fiecare utilizare. Nu acționați ferăstrăul dacă dispozitivul de protecție inferior nu se mișcă liber și nu se închide instantaneu. Nu fixați sau strângeți niciodată dispozitivul de protecție inferior în poziția deschis.** *Dacă ferăstrăul este scăpat accidental, dispozitivul de protecție inferior se poate îndoi. Ridicați dispozitivul de protecție inferior cu mânerul retractabil și asigurați-vă că se mișcă liber și nu atinge discul sau vreo altă piesă, în niciun unghi și la nicio adâncime de tăiere.*
- b) Verificați dacă dispozitivul de protecție inferior este închis corect înainte de**

fiecare utilizare. Nu acționați ferăstrăul dacă dispozitivul de protecție inferior nu se mișcă liber și nu se închide instantaneu. Nu fixați sau strângeți niciodată dispozitivul de protecție inferior în poziția deschis.

Dacă ferăstrăul este scăpat accidental, dispozitivul de protecție inferior se poate îndoi. Ridicați dispozitivul de protecție inferior cu mânerul retractabil și asigurați-vă că se mișcă liber și nu atinge discul sau vreo altă piesă, în niciun unghi și la nicio adâncime de tăiere.

- c) Dispozitivul de protecție inferior trebuie retractat manual numai pentru tăieturi speciale, cum sunt "tăieturile transversale" și "tăieturile combinate".** *Ridicați dispozitivul de protecție inferior cu ajutorul mânerului de retragere, iar imediat ce discul pătrunde în material, apăratărea inferioară trebuie eliberată. Pentru toate celelalte tipuri de tăiere, apăratărea inferioară trebuie acționată automat.*
- d) Asigurați-vă întotdeauna că dispozitivul de protecție inferior acoperă discul înainte de așezarea ferăstrăului pe masă sau podea.** *Discul neprotejat care se mai rotește din inerție va cauza mersul înapoi al ferăstrăului, tăind orice întâlnește în cale. Fiți conștient de timpul necesar discului pentru oprire după eliberarea întrerupătorului.*

REGULI SUPLIMENTARE PRIVIND SIGURANȚA UTILIZĂRII FERĂSTRĂULUI CIRCULAR

1. Utilizați numai discurile recomandate de fabricantul sculei, discuri în conformitate cu reglementarea EN 847-1, specifice tăierii lemnului și a materialelor asemănătoare cu acesta.
2. Nu utilizați pietre/discuri abrazive.
3. Utilizați numai acele discuri care au diametre conforme cu marcasele.
4. Identificați discul potrivit materialului care urmează a fi tăiat.
5. Utilizați numai acele discuri care au o viteză de rotație egală sau mai mare decât viteza indicată pe eticheta sculei electrice.

SYMBOLS



Pentru a reduce riscul de accidentări, utilizatorul trebuie să citească manualul de instrucțiuni



Avertisment



Purtați echipament de protecție pentru ochi



Purtați echipament de protecție pentru urechi



Purtați mască de protecție contra prafului



Purtați mănuși de protecție



Izolație dublă



Produsele electrice nu trebuie depuse la deșeurile împreună cu gunoierul menajer. Vă rugăm să depuneți produsele electrice la unitățile de reciclare existente. Consultați-vă cu autoritățile locale sau cu distribuitorul pentru sfaturi privind reciclarea.



Blocare



Deblocare

LISTA COMPONENTELOR

1. MÂNER FRONTAL
2. CARCASĂ MOTOR
3. SCALA UNGHIULUI PLĂCII DE BAZĂ
4. BLOCAREA ÎNCLINĂRII PLĂCII DE BAZĂ
5. GHIDAJ PARALEL
6. BUTON DE BLOCARE A GHIDAJULUI PARALEL
7. CRESTĂTURĂ A GHIDAJULUI DE TĂIERE
8. APĂRĂTOAREA LAMEI INFERIOARE
9. PLACĂ DE BAZĂ
10. FLANȘĂ EXTERIOARĂ
11. ȘURUB LAMĂ
12. LAMĂ DE FIERĂSTRĂU
13. MANETA APĂRĂTORII INFERIOARE
14. ADAPTOR DE VID
15. APĂRĂTOARE FIXATĂ
16. COMUTATOR DE PORNIRE/OPRIRE DE SIGURANȚĂ
17. BUTON DE BLOCARE
18. MANETĂ DE REGLARE A ADÂNCIMII DE TĂIERE
19. CHEIE HEXAGONALĂ
20. BUTON DE BLOCARE A AXULUI

Nu toate accesoriile ilustrate sau descrise sunt incluse în furnitura standard.

DATE TEHNICE

Tip DX59 (59 - denumirea aparatului, reprezentativă pentru fierăstrăul circular)

Tensiune nominală	220-240V~50/60Hz
Putere nominală	1400W
Turație fără sarcină	5800/min
Clasa de protecție	□ / II
Dimensiunea lamei	185mm
Alezajul lamei	16mm
Capacitatea de tăiere	
90°	65mm
45°	45mm
Capacitatea de șanfrenare	0-45°
Greutatea mașinii	4.06kg

INFORMAȚII PRIVIND ZGOMOTUL

Presiune sonică ponderată	L_{pA} : 89.9 dB (A)
Putere acustică ponderată	L_{wA} : 100.9 dB (A)
K_{pA} & K_{wA}	3.0 dB (A)
Purtați echipament de protecție pentru urechi.	

INFORMAȚII PRIVIND VIBRAȚIILE

Valori totale vibrații (sumă vectorială triaxială) determinată conform EN 62841:	
Găurire în metal	Tăiere lemn: $a_{h,W} = 1.62 \text{ m/s}^2$ (Mâner principal)
	Tăiere lemn: $a_{h,W} = 3.32 \text{ m/s}^2$ (Mâner auxiliar)
	Marjă de eroare $K = 1.5 \text{ m/s}^2$

Valoarea totală declarată pentru vibrații și pentru zgomot a fost măsurată în concordanță cu metoda de testare standard și poate fi utilizată și la compararea a două unelte.

Valoarea totală declarată pentru vibrații și pentru zgomot poate fi utilizată și la evaluarea preliminară a expunerii la acestea.



ATENȚIONARE: Nivelul emisiilor de vibrații și de zgomot în timpul utilizării reale a unelei poate să difere de valorile declarate, aceste valori fiind în funcție de modalitățile de utilizare ale sculei, dar mai ales de felul piesei prelucrate cu uneltea. Iată în continuare niște exemple de utilizare care conduc la apariția diferențelor de valori:

Modul în care scula este folosită și tipul de materiale tăiate sau sfredelite.

Scula este în stare bună de funcționare și bine întreținută.

Folosirea accesoriului corect pentru sculă și păstrarea acestuia în condiții bune.

Forța de apucare a mânerelor și dacă s-a utilizat vreun accesoriu de reducere a vibrațiilor și a zgomotului.

Scula este folosită conform indicațiilor din fabrică și conform acestor instrucțiuni.

Această sculă poate cauza sindromul vibrație mână-braț dacă nu este folosită în mod corespunzător.



ATENȚIONARE: Pentru a fi corectă, estimarea nivelului de expunere în condiții concrete de folosire trebuie să ia în considerare toate părțile ciclului de operare cum ar fi de câte ori scula este oprită și cât timp este pornită dar nu lucrează. Acest lucru poate reduce semnificativ nivelul de expunere de-a lungul perioadei de lucru totale.

Minimalizarea riscului de expunere la vibrații și la zgomot.

Folosiți ÎNTOTDEAUNA dalte, burghiuri și lame ascuțite.

Păstrați acest aparat în conformitate cu aceste instrucțiuni și păstrați-l bine gresat (dacă e cazul).

Dacă uneltea va fi utilizată în mod regulat, atunci nu ezitați să investiți în procurarea de accesorii antivibrație și antizgomot.

Planificați-vă programul de lucru pentru a folosi sculele cu număr mare de vibrații de-a lungul a mai multe zile.

ACCESSORIES

Adaptor pt. îndepărtarea prafului	1
Cheie hexagonală	1
Ghidaj paralel	1
Lamă	1

Vă recomandăm să achiziționați accesoriile de la același magazin de la care ați cumpărat unealta. Consultați ambalajul accesoriului pentru detalii suplimentare. Personalul din magazin vă poate oferi asistență și sfaturi.

INSTRUCȚIUNI DE UTILIZARE



NOTĂ: Înainte de a utiliza unealta, citiți cu atenție manualul de instrucțiuni.

UTILIZAREA PREVĂZUTĂ

Mașina este destinată tăierii longitudinale și transversale a lemnului cu linii de tăiere drepte, precum și înclinate în unghi de 45°, în timp ce se sprijină ferm pe piesa de prelucrat.

ASAMBLAREA

1. MONTAREA/SCHIMBAREA UNEI LAME DE FIERĂSTRĂU (A SE VEDEA FIG. A1, A2, A3)

Apăsăți butonul de blocare a axului și utilizați cheia hexagonală pentru a slăbi și scoate șurubul lamei (11). Scoateți flanșa exterioră (10). Rotiți apărătoarea lamei inferioare înspre dreapta, apăsând maneta apărătorii pentru a scoate lama veche (12). Montați o lamă de schimb. Asigurați-vă că alezajul lamei este situat pe flanșa interioară (a) și săgeata de direcție a lamei indică aceeași direcție ca și săgeata apărătorii fixe. Așezați flanșa exterioră și șurubul lamei pe alezajul lamei. Apăsăți din nou elementul de blocare a axului și utilizați cheia hexagonală pentru a strânge șurubul cu 1/4 de rotație mai mult decât strângerea cu degetul. Verificați dacă lama este bine fixată.

AVERTISMENT: DINȚII LAMELOR SUNT FOARTE ASCUȚIȚI. Pentru rezultate de tăiere optime, utilizați o lamă de fierăstrău potrivită materialului și calității de tăiere dorite.

2. REGLAREA ADÂNCIMII DE TĂIERE (A SE VEDEA FIG. B)

Ridicați maneta de blocare a adâncimii de tăiere și ridicați corpul fierăstrăului de pe placa de bază. Setăți adâncimea de tăiere cu ajutorul scalei și împingeți maneta în jos pentru blocare. Adăugați întotdeauna 3 mm la adâncimea de tăiere, astfel încât lama să poată străpunge materialul.

3. REGLAREA UNGHIIULUI PLĂCII DE BAZĂ (A SE VEDEA FIG. C1, C2)

Rotiți elementul de blocare a înclinării plăcii de bază înspre stânga pentru a slăbi scala unghiului. Înclinați placa de bază departe de mașină până când unghiul de tăiere dorit este reglat pe scala unghiului. Strângeți elementul de blocare a înclinării rotind înspre dreapta. Nu utilizați scala adâncimii de tăiere atunci când faceți tăieturi țeșite, deoarece se pot produce inexactități.

4. IEȘIRE DE EVACUARE A PRAFULUI (A SE VEDEA FIG. D)

Fixați adaptorul de vid pe ieșirea de evacuare a prafului până se blochează în poziție. În plus, fixați adaptorul de vid la apărătoarea fixă utilizând cele două șuruburi. Conectați direct un furtun de vid adecvat la adaptor.

Curățați regulat adaptorul de vid pentru a asigura evacuarea optimă a prafului. Aspiratorul trebuie să fie potrivit pentru materialul care trebuie prelucrat.

5. REGLAREA GHIDAJULUI PARALEL (A SE VEDEA FIG. E)

Se utilizează pentru a realiza tăieturi paralele cu marginea piesei de prelucrat la o distanță aleasă. Glisați brațul ghidajului paralel prin dispozitivul de fixare pentru a obține distanța de tăiere necesară, apoi strângeți butonul de blocare pentru fixare. Se poate utiliza de pe ambele părți ale plăcii de bază. Pentru tăieturi drepte, utilizați marcajul de ghidare 0° pentru aliniere cu scala ghidajului paralel. Pentru tăieturi țeșite la 45°, utilizați marcajul de ghidare la 45° pentru aliniere cu scala ghidajului paralel. Strângeți bine ghidajul paralel.

NOTĂ: Cel mai bine este să efectuați o tăietură de probă.

FUNCȚIONAREA

1. POZIȚIA ELEMENTULUI DE PRINDERE CU MÂNA (A SE VEDEA FIG. F)

Țineți întotdeauna fierăstrăul ferm cu ambele mâini atunci când lucrați.

2. COMUTATORUL DE PORNIRE/OPRIRE DE SIGURANȚĂ (A SE VEDEA FIG. G)

Comutatorul este blocat pentru a preveni pornirea accidentală. Apăsăți butonul de blocare, apoi comutatorul de pornire/oprire și eliberați butonul de blocare. Comutatorul este activat.

Pentru a opri, eliberați comutatorul de pornire/oprire. Lama poate continua să se rotească după oprire. Așteptați până când mașina se oprește complet înainte de a o așeza pe o suprafață.

SFATURI PRIVIND LUCRUL CU UNEALTA

Dacă unealta electrică se încinge prea tare, operați ferăstrăul circular în gol timp de 2-3 minute pentru a răci motorul.

Evitați funcționarea prelungită la turații foarte mici. Protejați pânzele ferăstrăului împotriva impactului și șocului. Alimentarea excesivă reduce semnificativ performanțele mașinii și durata de viață a pânzei ferăstrăului. Performanța și calitatea tăieturii depind în special de starea și numărul de dinți ai pânzei ferăstrăului. Așadar, utilizați doar pânze de ferăstrău ascuțite potrivite pentru materialul prelucrat. Alegerea pânzelor: 24 de dinți pentru operații generale, aproximativ 40 de dinți pentru tăieturi mai fine, peste 40 de dinți pentru tăieturi foarte fine pe suprafețe delicate, diamant pentru plăci de ceramică, plăci de ciment etc.

Folosiți numai pânzele de ferăstrău recomandate.

ÎNTREȚINETI UNELTELE CU GRIJĂ

Scoateți ștecherul din priza de alimentare înainte de a efectua orice ajustări, operațiuni de service sau întreținere.

Păstrați uneltele ascuțite și curate pentru o funcționare mai bună și mai sigură. Urmați instrucțiunile pentru ungerea și schimbarea accesoriilor. Verificați periodic cablurile uneltei și, dacă sunt deteriorate, dispuneți repararea acestora în cadrul unui atelier de service autorizat. Unealta dumneavoastră electrică nu necesită lubrifiere sau întreținere suplimentară. Interiorul uneltei electrice nu conține piese care pot fi depanate de către utilizator. Nu utilizați niciodată apă sau agenți chimici de curățare pentru curățarea uneltei electrice. Ștergeți unealta cu o cârpă uscată. Depozitați întotdeauna unealta într-un loc uscat. Mențineți fantele de aerisire a motorului curate. Feriți de praf toate comenzile de lucru.

În cazul în care cablul de alimentare este deteriorat, acesta trebuie înlocuit de către producător, agentul său de service sau persoane cu calificare similară, pentru a evita orice pericol.

Ștergeți periodic praful și așchiile de pe apărătoare și bază pentru a garanta o performanță adecvată.

PROTECȚIA MEDIULUI



Produsele electrice nu trebuie depuse la deșeurile împreună cu gunoiul menajer. Vă rugăm să depuneți produsele electrice la unitățile de reciclare existente. Consultați-vă cu autoritățile locale sau cu distribuitorul pentru sfaturi privind reciclarea.

DECLARAȚIE DE CONFORMITATE

Subsemnații,
POSITEC Germany GmbH
Postfach 32 02 16, 50796 Cologne, Germany

Declarăm că produsul,
Descriere **Ferăstrău circular**
Tip **DX59(59-denumire mașină, reprezentând ferăstrăul)**

Funcție **Tăierea unor diferite materiale cu o pânză rotativă cu dinți**

Respectă următoarele Directive:
**2006/42/EC, 2011/65/EU&(EU)2015/863
2014/30/EU**

Se conformează standardelor:
**EN 62841-1, EN 62841-2-5,
EN 55014-1, EN 55014-2
EN IEC 61000-3-2, EN 61000-3-3**

Persoana responsabilă pentru elaborarea fișei tehnice,
Nume Marcel Filz
Adresa POSITEC Germany GmbH
Postfach 32 02 16, 50796 Cologne, Germany



RO

2021/05/20
Allen Ding
Adjunct Inginer șef, Testare și certificare
Positec Technology (China) Co., Ltd
18, Dongwang Road, Suzhou Industrial
Park, Jiangsu 215123, P. R. China

PŮVODNÍ NÁVOD K POUŽÍVÁNÍ BEZPEČNOST VÝROBKU OBEČNÁ BEZPEČNOSTNÍ UPOZORNĚNÍ PRO ELEKTRICKÉ NÁSTROJE



VAROVÁNÍ Přečtěte si všechna bezpečnostní varování, pokyny, seznamte se s ilustracemi a technickými údaji dodanými s tímto elektrickým nářadím.

Nedodržení jakýchkoliv níže uvedených pokynů může mít za následek úraz elektrickým proudem, vznik požáru nebo vážného úrazu.

Uložte instrukce a veškerou dokumentaci pro budoucí použití.

Výraz "elektrické ruční nářadí" znamená v upozornění buď na nářadí na elektrický pohon (napájené z elektrickou sítí) nebo na akumulátorové nářadí (napájené z akumulátoru).

1) Bezpečnost na pracovišti

- a) **Udržujte pracoviště v čistotě a dobře osvětlené.** Pracoviště plné nepotřebných předmětů nebo slabě osvětlené zvyšuje možnost úrazu.
- b) **DNepoužívejte elektrické ruční nářadí v prostředí náchylném na exploze jako například v přítomnosti hořlavých tekutin, plynů nebo prachu.** Elektrické ruční nářadí při práci vytváří jiskry, které mohou vznítit prach nebo výpary.
- c) **Při práci s elektrickým ručním nářadím udržujte děti a přihlížející osoby v dostatečné vzdálenosti.** Ztráta pozornosti může vést ke ztrátě kontroly nad nářadím.


2) Bezpečnost při práci s elektrinou

- a) **Vidlice elektrického ručního nářadí musí být shodného typu jako zásuvky el. sítě.** Neměňte vidlice nedovolenými nebo neodborným způsobem, předejdete tak možným zraněním nebo úrazu el proudem. *Nepoužívejte spolu s uzemněným ručním nářadím žádné adaptéry, které neumožňují ochranu zemněním.*
 - b) **Vyhýbejte se kontaktům s uzemněnými povrchy jako například trubkami, radiátory, sporáky a ledničkami.** Je-li vaše tělo spojené s uzemněným předmětem nebo stojí na uzemněné ploše, vzniká zvýšené riziko úrazu elektrickým proudem.
 - c) **Nevystavujte ruční nářadí dešti nebo vlhkým podmínkám.** Když se voda dostane pod povrch elektrického ručního nářadí, vzniká zvýšené riziko úrazu elektrickým proudem.
 - d) **Nemanimulujte s napájecím kabelem necitlivě.** Nikdy si nepřitahujte elektrické ruční nářadí k sobě pomocí kabelu, netahejte je za sebou pomocí kabelu a nevytrhávejte kabel ze zástrčky, abyste ruční nářadí vypnuli. *Nevystavujte kabel vysokým teplotám, oleji, ostrým hranám nebo kontaktu s pohyblivými díly. Poškozené nebo zmotané kabely mohou vést k zvýšenému riziku*
- úrazu elektrickým proudem.
- e) **Při práci s ručním nářadím v exteriéru použijte prodlužovací kabel vhodný pro použití v exteriéru.** Použijte kabel vhodný pro venkovní prostředí, snižujete tím riziko vzniku úrazu elektrickým proudem.
 - f) **Pokud je práce s ručním nářadím ve vlhkých podmínkách nevyhnutelná, použijte napájení chráněné jističem typu proudový chránič (RCD).** Použití RCD jističe redukuje riziko vzniku úrazu elektrickým proudem.
- ## 3) Osobní bezpečnost
- a) **Bud'te soustředěni, sledujte co děláte a při práci s ručním nářadím se řiďte zdravým rozumem.** **Nepoužívejte ruční nářadí, jste-li unaveni nebo pod vlivem omamných látek, alkoholu nebo léků.** Moment nepozornosti při práci s ručním nářadím může vést k vážnému osobnímu zranění.
 - b) **Použijte osobní ochranné pomůcky.** **Vždy noste ochranu očí.** Ochranné pomůcky jako například proti prachová maska, boty s protiskluzovou podrážkou nebo chrániče sluchu použité v příslušných podmínkách pomáhají redukovat nebezpečí vážného osobního zranění.
 - c) **Předcházejte neúmyslnému zapnutí.** **Ujistěte se, že vypínač je ve vypnuté poloze předtím, než zapojíte nářadí do elektrické sítě a nebo k akumulátoru, rovněž při zvedání nebo nošení nářadí.** *Nošení nářadí s prstem na vypínači nebo nářadí pod napětím zvyšuje možnost úrazu.*
 - d) **Odstraňte jakékoliv nastavovací nebo maticové klíče a šrouby předtím, než zapnete ruční nářadí.** *Nastavovací nebo jiný klíč ponechaný na rotující části ručního nářadí může způsobit osobní úraz.*
 - e) **Nepřeceňujte se. Udržujte si stabilitu a pevnou zem pod nohama za každých podmínek.** *Umožňuje vám to lepší kontrolu nad ručním nářadím v neočekávaných situacích.*
 - f) **Pro práci se vhodné oblečte. Nenoste volné oblečení nebo šperky.** **Své vlasy a volné oblečení držte z dosahu pohyblivých částí.** *Volné oblečení, šperky nebo dlouhé vlasy se mohou do pohyblivých částí zachytit.*
 - g) **Pokud jsou zařízení nastavená na spojení se zařízeními na zachytávání a extrakci prachu, ujistěte se, že jsou tato zařízení správně připojena a použita.** *Použitím sběrače prachu redukuje rizika vyvolaná prachem.*
 - h) **Nedopusťte, abyste díky zkušenostem nabytým častým používáním elektrického nářadí přestali dodržovat základy bezpečného použití.** *Neopatrný úkon může způsobit vážný úraz během zlomku sekundy.*
- ## 4) Použití a údržba ručního nářadí
- a) **Na ruční nářadí netlačte. Použijte správné ruční nářadí pro danou činnost.** *Správné ruční nářadí udělá práci lépe a takovou rychlostí, pro kterou bylo navrženo.*
 - b) **Nepoužívejte ruční nářadí, pokud správně nefunguje vypínač on/off.** *Jakékoliv ruční nářadí, které se nedá ovládat vypínačem, je nebezpečné a musí být opraveno.*

- c) Před jakýmkoliv seřízením, výměnou násad nebo uskladněním elektrického nářadí vyjměte síťovou zástrčku ze zásuvky nebo, pokud je to možné, z něj vyjměte akumulátor. Taková preventivní bezpečnostní opatření redukuje riziko náhodného zapnutí ručního nářadí.
- d) Nepoužíváte-li ruční nářadí, skladujte je mimo dosah dětí a nedovolte osobám, které nemají zkušenosti s prací s ručním nářadím nebo neznají tyto pokyny, s nářadím pracovat. Ruční nářadí je nebezpečné v rukách neškolené a nezkušené osoby.
- e) Provádějte pravidelnou údržbu elektrického nářadí a příslušenství. Zkontrolujte chybné připojení nebo spojení pohyblivých částí, zlomené části nebo jiné okolnosti, které by mohly ovlivnit funkčnost ručního nářadí. Je-li nářadí poškozeno, nechte je před novým použitím opravit. Mnoho úrazů vzniká proto, že je elektrické ruční nářadí špatně udržováno.
- f) Udržujte řezné nástroje ostře a čisté. Správně udržované řezné nástroje s ostrými řezacími hranami jsou méně náchylné na zakousnutí a lépe se ovládají.
- g) Používejte elektrické nářadí v souladu s těmito pokyny, berte v úvahu pracovní podmínky a druh vykonávané práce. Je-li elektrické nářadí použito na jiné účely, než je určeno, může docházet k nebezpečným situacím.
- h) Udržujte a povrchy držadel udržujte suché, čisté, bez maziv a tuků. Kluzké rukojeti a držadla neumožňují bezpečnou manipulaci a obsluhu nářadí v neočekávaných situacích.
- 5) Servis
a) Servisní práce na nářadí nechte provést kvalifikovanými pracovníky za použití originálních náhradních dílů. Výsledkem bude trvalá bezpečnost při práci s elektrickým nářadím.

BEZPEČNOSTNÍ UPOZORNĚNÍ PRO VŠECHNY PILY

ZACHÁZENÍ S PILOU

- a)  **POZOR:** Udržujte ruce v dostatečné vzdálenosti od prostoru řezání a pilového kotouče. Držte vaši druhou ruku na pomocné rukojeti nebo na krytu motoru. Pokud držíte pilu oběma rukama, nemůžete se pořežat o pilový kotouč.
- b) Nesahejte pod řezaný materiál. Ochranný kryt vás pod řezaným materiálem neochrání před pilovým kotoučem.
- c) Přizpůsobte hloubku řezu tloušťce řezaného materiálu. Pod řezaným materiálem by zub neměl být viditelný v celé své výšce.
- d) Nikdy nedržte řezaný materiál v rukou nebo položený přes nohu. Upevněte řezaný materiál ke stabilní podložce. Je důležité upevnit řezaný materiál důkladně, aby se minimalizovala možnost zranění, zaseknutí pilového kotouče nebo ztráty kontroly.
- e) Držte ruční elektrické nářadí za

odizolované povrchy při práci v podmínkách, kde je možné, že se řezací nástroj dostane do kontaktu se skrytou elektrickou sítí nebo vlastním kabelem. Kontakt s vodičem pod napětím, může způsobit, že odhalené kovové části elektrického ručního nářadí budou pod napětím a můžou elektrickým šokem zasáhnout uživatele.

- f) Při rozřezávání vždy používejte doraz nebo vodítko. Tim vylepšíte přesnost řezu a snížíte nebezpečí deformace pilového kotouče.
- g) Vždy používejte pilové kotouče se správnou velikostí a tvarem (diamantový nebo kruhový) upínacích otvorů. Pilové kotouče, jejichž upínací otvory neodpovídají otvorům upevňovacího mechanismu pily, při práci kmitají a způsobují ztrátu kontroly nad nářadím.
- h) Nikdy nepoužívejte poškozené nebo nevhodné podložky nebo šrouby. Podložky a šrouby jsou speciálně navrženy pro vaši pilu tak, aby zaručovaly optimální pracovní výkon a bezpečnost práce.

DALŠÍ BEZPEČNOSTNÍ POKYNY PRO VŠECHNY PILY

Další bezpečnostní pokyny pro všechny pily

- Zpětný ráz je neočekávaná náhlá reakce na odštěpnutí, zaseknutí nebo vychýlení pilového kotouče, které způsobí nekontrolované zvednutí pily z pracovní plochy směrem k uživateli.
 - Pokud je pilový kotouč přiskřípnut nebo pevně sevřen v ukončení zářezu, dojde k uvíznutí kotouče a výkon motoru vymrští nářadí dozadu směrem k uživateli.
 - Pokud se pilový kotouč zkroutí nebo se vychýlí v řezu, mohou se zuby v zadní části kotouče zabořit do povrchu dřeva a způsobit, že pilový kotouč vyjede ze zářezu a vyskočí zpět směrem k uživateli. Zpětný ráz je výsledkem nesprávného používání pily a/nebo špatných pracovních postupů a podmínek. Můžete mu předéjit zohledněním níže uvedených bezpečnostních opatření.
- a) **Pilu držte pevně oběma rukama v takové poloze, abyste odolali silám zpětného rázu. Postavte se tělem na jednu nebo druhou stranu pilového kotouče. Nikdy nestůjte v jedné přímce s kotoučem.** Zpětný ráz může způsobit, že pilový kotouč vyskočí směrem zpátky. Pokud jsou však zohledněna příslušná bezpečnostní opatření, mohou být síly zpětných rázů uživatelem zmižněny.
- b) **Pokud se pilový kotouč zasekne nebo přeruší řez z jakýchkoliv důvodů, uvolněte spínač a držte pilu nehybně v materiálu, dokud se pilový kotouč nezastaví. Nikdy se nepokoušejte vytáhnout pilu z řezu nebo ji tlačit směrem vzad, jestliže se pilový kotouč otáčí. Mohlo by dojít ke zpětnému rázu.** Dbejte zvýšené opatnosti a dodržujte správný postup řezání, abyste předešli zaseknutí pilového kotouče.
- c) **Při spouštění pily v řezu umístěte pilový kotouč doprostřed řezu a zkontrolujte, zda zuby pily nejsou ve styku s materiálem.**

Pokud se pilový kotouč zasekne, může při opětovném spuštění pily vyjet nahoru nebo vyskočit z řezaného materiálu.

- d) **Podložte velké kusy materiálu tak, abyste předešli nebezpečí sevření pilového kotouče a vzniku zpětného rázu.** Velké kusy materiálu mají tendenci prohybat se vlastní vahou. Podpěry musí být umístěny na obou stranách blízko linie řezu a blízko okraje materiálu.
- e) **Nepoužívejte tupé nebo poškozené pilové kotouče.** Nenaostřené nebo nesprávně nainstalované pilové kotouče provádí úzký řez, který vytváří nadměrné tření a zvyšuje nebezpečí zaseknutí pilového kotouče nebo vzniku zpětného rázu.
- f) **Před provedením řezu musí být nastavení hloubky řezu a sklonu pilového kotouče zaaretováno příslušnými páčkami.** Pokud se nastavení pilového kotouče během řezu změní, může dojít k jeho zaseknutí a zpětnému rázu.
- g) **Při řezání ve stěnách a neznámých místech je třeba dbát zvláštní opatrnosti.** Pilový kotouč může narazit na předměty, které mohou způsobit zpětný ráz.

BEZPEČNOSTÍ POKYNY PRO OKRUŽNÍ PILU SE SPODNÍM OCHRANNÝM KRYTEM

FUNKCE DOLNÍHO CHRÁNIČE

- a) **Zkontrolujte správné uzavření spodního ochranného krytu před každým použitím. Nepracujte s pilou, pokud se spodní ochranný kryt nepohybuje volně a neuzavírá se okamžitě. Nikdy nezaklapujte nebo nesvazujte spodní ochranu do otevřené pozice.** Pokud pilu náhodou upustíte, spodní ochrana se může ohnout. Zvedněte spodní ochranný kryt stahovací rukojetí a ujistěte se, že se pohybuje volně a nedotýká se kotouče nebo žádných jiných částí.
- b) **Zkontrolujte funkčnost pružiny spodního ochranného krytu. Pokud ochrana a pružina nefungují správně, musí být před použitím opraveny.** Spodní ochranný kryt může pracovat pomalu kvůli poškozeným částem, lepivým usazeninám nebo usazeným pilinám a odpadu.
- c) **Spodní kryt může být vysunutý manuálně pouze pro speciální řezy jako například vybrané a složené řezy.** Zvedněte spodní ochranný kryt stahovací rukojetí, ve chvíli, kdy se kotouč zařizne do materiálu, a kryt uvolněte. Tuto práci smí provádět pouze zkušená obsluha z důvodů bezpečnosti a ochrany zdraví uživatele. Primárně je pila konstruována pro použití s automatickou funkcí spodního ochranného krytu. Pokud obsluha otevře kryt kotouče manuálně, přebírá zodpovědnost za možné následky.
- d) **Před odložením pily na podlahu vždy zkontrolujte, jestli spodní ochranný kryt zakrývá kotouč.** Nechráněný kotouč běžící setrvačností může způsobit zpětný ráz pily a řezání do všeho, co je v jeho okolí. Při práci počítejte s dobou

doběhu kotouče po vypnutí přepínače.

DALŠÍ BEZPEČNOSTNÍ POKYNY PRO ŘEZY ZVLÁŠTNÍ BEZPEČNOSTNÍ UPOZORNĚNÍ PRO OKRUŽNÍ PILU

1. Používejte pouze řezné kotouče doporučené výrobcem, které odpovídají normě EN 847-1, pokud jsou určeny pro dřevo a podobné materiály.
2. Nepoužívejte žádné abrazivní kotouče.
3. Pilové kotouče musí mít průměr odpovídající příslušnému značení.
4. Pro řezání materiálu použijte vhodné řezné kotouče.
5. Používejte pouze řezné kotouče, které jsou označeny rychlostním indexem, který je shodný nebo vyšší, než rychlostní index vyznačený na nářadí.

SYMBOLY



Pro omezení rizika zranění si pečlivě přečtěte návod k obsluze



Výstraha



Používejte pomůcky pro ochranu očí



Používejte ochranu sluchu



Používejte protiprachovou masku



Používejte ochranné rukavice



Dvojitá izolace



Vysloužilé elektrické přístroje nevyhazujte společně s domovním odpadem. Nářadí recyklujte ve sběrnách k tomu účelu zřízených. O možnostech recyklace se informujte na místních úřadech nebo u prodejce.



Zamknout



Odemknout

SEZNAM SOUČÁSTEK

1. PŘEDNÍ RUKOJEŤ
2. SKŘÍŇ MOTORU
3. MĚŘÍTKO ÚHLU ZÁKLADNÍ DESKY
4. ZÁMEK ÚKOSU ZÁKLADNÍ DESKY
5. PARALELNÍ VODÍTKO
6. KNOFLÍK ZÁMKU PARALELNÍHO VODÍTKA
7. ZÁŘEZ VODÍTKA PRO ŘEZÁNÍ
8. KRYT DOLNÍHO KOTOUČE
9. ZÁKLADNÍ DESKA
10. VNĚJŠÍ PŘÍRUBA
11. ČEP KOTOUČE
12. ČEPEL PILY
13. PÁČKA DOLNÍHO KRYTU
14. VAKUOVÝ ADAPTÉR
15. UPEVNĚNÁ OCHRANA
16. BEZPEČNOSTNÍ SPÍNAČ ZAP/VYP
17. TLAČÍTKO ODJIŠTĚNÍ
18. PÁČKA NASTAVENÍ HLOUBKY ŘEZU
19. IMBUSOVÝ KLÍČ
20. TLAČÍTKO ZÁMKU VŘETENA

Ne všechno zobrazené nebo popsané příslušenství je obsaženo ve standardním balení.

CZ

TECHNICKÉ ÚDAJE

Typ DX59 (59 - označení stroje, zástupce kotoučové pily)

Jmenovité napětí	220-240V~50/60Hz
Jmenovitý výkon	1400W
Otáčky bez zatížení	5800/min
Třída ochrany	□/II
Velikost kotouče	185mm
Otvor kotouče	16mm
Řezná kapacita	
	90° 65mm
	45° 45mm
Kapacita zkosení	0-45°
Hmotnost stroje	4.06kg

INFORMACE O HLUKU

Naměřená hladina akustického tlaku	L_{pA} : 89.9 dB (A)
Naměřený akustický výkon	L_{wA} : 100.9 dB (A)
K_{pA} & K_{wA}	3.0 dB (A)
Použijte ochranu sluchu	

INFORMACE O VIBRACÍCH

Celkové hodnoty vibrací (trojosé nebo vektorové součtové měření) stanovené v souladu s EN62841:	
Hodnota vibračních emisí:	Řezání dřeva: $a_{h,W} = 1.62 \text{ m/s}^2$ (Hlavní rukojeť) Řezání dřeva: $a_{h,W} = 3.32 \text{ m/s}^2$ (Pomocná rukojeť)
	Kolisání $K = 1.5 \text{ m/s}^2$

Deklarovaná celková hodnota vibrací a deklarovaná úroveň vytvářeného hluku byly měřeny v souladu se standardními zkušebními postupy a lze je použít při srovnání jednotlivých nářadí mezi sebou.

Deklarovaná celková hodnota vibrací a deklarovaná úroveň vytvářeného hluku mohou být také použity k předběžnému stanovení doby práce s nářadím.



VAROVÁNÍ: Vibrace a hlučnost při aktuálním použití elektrického nářadí se od deklarováných hodnot mohou lišit v závislosti na způsobu, jakým je nářadí použito, zejména pak na typu zpracovávaného obrobku podle následujících příkladů a na dalších způsobech, jakými je nářadí používáno:

Jak je nářadí používáno a jaké materiály budou řezány nebo vrtány.

Nářadí musí být v dobrém stavu a musí být prováděna jeho řádná údržba.

S nářadím musí být používáno správně příslušenství, a toto příslušenství musí být ostré a v dobrém stavu.

Pevnost uchopení rukojetí a zda je použito jakékoliv příslušenství snižující úroveň vibrací a hluku.

Toto nářadí může být použito pouze pro určené účely a podle těchto pokynů.

Není-li toto nářadí používáno odpovídajícím způsobem, může způsobit syndrom nemoci způsobené působením vibrací na ruce a paže obsluhy.



VAROVÁNÍ: Chcete-li být přesní, odhad doby působení vibrací v aktuálních podmínkách při použití tohoto nářadí by měl brát v úvahu také všechny části pracovního cyklu, jako jsou doby, kdy je nářadí vypnuto a kdy je v chodu ve volnoběžných otáčkách, ale ve skutečnosti neprovádí žádnou práci. Doba působení vibrací tak může být během celkové pracovní doby značně zkrácena.

Pomáhá minimalizovat riziko působení vibrací a hluku.

VŽDY používejte ostré sekáče, vrtáky a nože.

Provádějte údržbu tohoto nářadí podle těchto pokynů a zajistěte jeho řádné mazání (je-li to vhodné).

Pokud bude nářadí používáno pravidelně, pak investujte do příslušenství snižujícího úroveň vibrací a hluku.

Vypracujte si svůj plán práce, abyste působení vysokých vibrací tohoto nářadí rozdělily do několika dnů.

PŘÍSLUŠENSTVÍ

Adaptér odsávání prachu	1
Imbusový klíč	1
Paralelní vodičko	1
Čepel	1

Doporučujeme zakoupit příslušenství u stejného prodejce, u kterého jste koupili nářadí. Pro další detaily prostudujte obal příslušenství. Personál obchodu vám může pomoci a poradit.

PROVOZNÍ POKYNY



POZNÁMKA: Před použitím nářadí si pečlivě přečtěte návod k obsluze.

ÚČEL POUŽITÍ

Stroj je určen k podélnému a příčnému řezání dřeva s přímými řezacími liniemi a úhlu úkosu do 45°, přičemž pevně spočívá na obrobku.

MONTÁŽ

1. MONTÁŽ/VÝMĚNA PILOVÉHO KOTOUČE (VIZ OBR. A1, A2, A3)

Stiskněte zajišťovací tlačítko vřetena a pomocí šestihranného klíče uvolněte a vyjměte šroub kotouče (11). Odstraňte vnější přírubu (10). Otáčením dolního krytu kotouče ve směru hodinových ručiček zatlačením na páčku krytu vyjměte starý kotouč (12). Nasadte vyměňovaný kotouč. Zajistěte, aby se otvor kotouče nacházel na vnitřní přírubě (a) a šípka směru kotouče

směřovala stejným směrem jako šípka pevného krytu. Umístěte vnější přírubu, šroub kotouče do otvoru kotouče. Znovu stiskněte zámek vřetena a pomocí imbusového klíče utáhněte šroub o 1/4 otáčky více než utažení prstem. Zkontrolujte, zda je kotouč bezpečně upnutý.



VÝSTRAHA: Zuby kotouče jsou velmi ostré. Pro dosažení nejlepších výsledků řezání použijte pilový kotouč vhodný pro požadovaný materiál a kvalitu řezu.

2. NASTAVENÍ HLOUBKY ŘEZU (VIZ OBR. B)

Zvedněte zajišťovací páčku hloubky řezu a zvedněte tělo pily od základní desky. Pomocí stupnice nastavte hloubku řezu a zatlačením páčky dolů zajistěte. K hloubce řezu vždy přidejte 3 mm, aby kotouč mohl proříznout materiál.

3. NASTAVENÍ ÚHLU ZÁKLADNÍ DESKY (VIZ OBR. C1, C2)

Otočením zámku úkosu základní desky proti směru hodinových ručiček uvolněte měřítko úhlu. Nakloňte

základní desku směrem od stroje, dokud nebude na měřítku úhlu nastaven požadovaný úhel řezu. Utáhněte zámek úkosu otočením ve směru hodinových ručiček. Při provádění zkosených řezů nepoužívejte měřítko hloubky řezu kvůli možné nepřesnosti.

4. VÝSTUP ODSÁVÁNÍ PRACHU (VIZ OBR. D)

Připevňte vakuový adaptér na výstup pro odsávání prachu, dokud nezaklapne. Dále připevňte vakuový adaptér k pevnému krytu pomocí dvou šroubů. Přímou připojte vhodnou vakuovou hadici k adaptéru.

Vakuový adaptér pravidelně čistěte, abyste zajistili optimální odsávání prachu. Vysávací čistič musí být vhodný pro zpracovávání materiál.

5. SEŘIZENÍ PARELELNÍHO VODÍTKA (VIZ OBR. E)

Používá se k provádění řezů rovnoběžně s hranou obrobku ve zvolené vzdálenosti. Protáhněte rameno paralelního vodítka skrz přípravek, abyste dosáhli požadované řezné vzdálenosti, a poté dotáhněte zajišťovací knoflík. Lze jej použít z obou stran základové desky. U přímých řezů použijte vodící značku 0° k zarovnání s vaším měřítkem paralelního vodítka. U 45° zkosených řezů použijte vodící značku 45° k zarovnání s vaším měřítkem paralelního vodítka. Pevně upněte paralelní vodítko.

POZNÁMKA: Nejlepší je provést zkušební řez.

PROVOZ

1. POLOHA RUČNÍHO ÚCHOPU (VIZ OBR. F)

Při práci vždy držte pilu pevně oběma rukama.

2. BEZPEČNOSTNÍ HLAVNÍ VYPÍNAČ (VIZ OBR. G)

Váš spínač je zajištěn, aby nedošlo k náhodnému spuštění. Stiskněte tlačítko odjištění, poté stiskněte hlavní vypínač a uvolněte tlačítko odjištění. Váš spínač je nyní zapnutý.

Chcete-li jej vypnout, uvolněte hlavní vypínač. Po vypnutí se kotouč může i nadále otáčet. Před odstavením vyčkejte, dokud se stroj úplně nezastaví.

TIPY PRO PRÁCI S NÁSTROJEM

Jestliže se pila příliš zahřeje, nechejte ji prosím běžet 2 až 3 minuty naprázdno, čímž se motor ochladí.

Nepoužívejte pilu při velmi nízkých otáčkách po delší dobu. Pilové kotouče chraňte před nárazem a pádem.

Nadměrné podávání značně snižuje výkon nástroje a zkracuje životnost řezného kotouče. Řezací výkon a kvalita závisí především na stavu a počtu zubů kotouče. Z tohoto důvodu používejte pouze ostré pilové kotouče, které jsou vhodné pro používaný materiál.

Výběr kotoučů: 24 zubů pro běžnou práci, cca 40 zubů pro jemnější řezání, více než 40 zubů pro velmi jemné řezání jemných povrchů, diamant na obkládačky, cementotřískové desky atd.

Používejte pouze doporučené řezací kotouče.

PROVÁDĚJTE PEČLIVOU ÚDRŽBU NÁSTROJŮ

Předtím, než provedete jakékoliv úpravy nebo údržbu odpojte nářadí od el. sítě.

Udržujte nástroje ostré a čisté pro lepší a bezpečnější používání. Dodržujte pokyny pro mazání a výměnu příslušenství. Pravidelně kontrolujte kabely nářadí a

v případě poškození je nechte opravit autorizovaným servisem. Tento elektrický nástroj nevyžaduje dodatečné mazání ani údržbu. Tento elektrický nástroj neobsahuje žádné součásti, které by si mohl uživatel opravit vlastními silami. Tento elektrický nástroj nikdy nečistěte vodou ani chemickými čističi. Očistěte do sucha suchým hadříkem. Tento elektrický nástroj uchovávejte vždy na suchém místě. Udržujte větrací otvory motoru čisté. Odstraňujte prach ze všech funkčních ovládacích prvků. Dojde-li k poškození napájecího kabelu, musí výměnu provést výrobce, jeho servisní zástupce nebo podobně kvalifikované osoby, aby se zabránilo ohrožení bezpečnosti osob.

Pro zajištění správného fungování pravidelně očišťujte prach a piliny z chrániče a základny.

OCHRANA ŽIVOTNÍHO PROSTŘEDÍ



Vysloužilé elektrické přístroje nevyhazujte společně s domovním odpadem. Nářadí recyklujte ve sběrnách k tomu účelu zřízených. O možnostech recyklace se informujte na místních úřadech nebo u prodejce.

PROHLÁŠENÍ O SHODĚ

My,
POSITEC Germany GmbH
Postfach 32 02 16, 50796 Cologne, Germany

Prohlašujeme, že produkt,
Popis **Kotoučová pila**
Typ **DX59 (59-označení stroje, zástupce pily)**
Funkce **Řezání různých materiálů ozubeným řezacím kotoučem**

Splňuje následující směrnice:
2006/42/EC, 2011/65/EU & (EU)2015/863
2014/30/EU

Splňované normy:
EN 62841-1, EN 62841-2-5,
EN 55014-1, EN 55014-2
EN IEC 61000-3-2, EN 61000-3-3

Osoba oprávněná uspořádat technický soubor,
Název Marcel Filz
Adresa POSITEC Germany GmbH
Postfach 32 02 16, 50796 Cologne, Germany



2021/05/20
Allen Ding
Zástupce vrchní konstrukční kanceláře, Testování & Certifikace
Positec Technology (China) Co., Ltd
18, Dongwang Road, Suzhou Industrial Park, Jiangsu 215123, P. R. China

PŮVODNÝ NÁVOD NA POUŽITIE BEZPEČNOST' VÝROBKU VŠEOBECNÉ BEZPEČNOSTNÉ UPOZORNENIA



VAROVANIE Prečítajte si všetky bezpečnostné varovania, pokyny, zoznamte sa s ilustráciami a technickými údajmi dodanými s týmto elektrickým náradím. Nedodržanie akýchkoľvek nižšie uvedených pokynov môže mať za následok úraz elektrickým prúdom, vznik požiaru alebo vážneho úrazu.

Odložte si všetky varovania a inštrukcie pre budúcu potrebu.

Výraz „elektrické ručné náradie“ vás vo varovaniach odkazuje buď na náradie na elektrický pohon (napájané z elektrickej siete) alebo na akumulátorové náradie (napájané z akumulátora).

1) Bezpečnosť na pracovisku

a) Udržujte pracovisko čisté a dobre osvetlené.

Pracovisko plné nepotrebných predmetov alebo slabosvetlene vyčistené zvyšuje možnosť úrazu.

b) Nepoužívajte elektrické ručné náradie

v prostredí náchylnom na explóziu, ako napríklad v prítomnosti horľavých tekutín, plynov alebo prachu. Elektrické ručné náradie vytvára iskry, ktoré môžu vznietiť prach alebo výpary.

c) Udržujte deti a prízerajúcich sa v dostatočnej vzdialenosti pri práci s elektrickým ručným náradím. Strata pozornosti môže viesť k strate kontroly nad náradím.

2) Bezpečnosť pri práci s elektrinou

a) Prípojky elektrického ručného náradia musia byť zhodné so zástrčkami.

Nemodifikujte prípojku žiadnym spôsobom. Nepoužívajte spolu s uzemneným ručným náradím žiadne adaptérové prípojky, ktoré neumožňujú ochranu uzemnením. Pôvodné prípojky a k nim prislúchajúce zástrčky znižujú riziko úrazu elektrickým prúdom.

b) Vyhnite sa kontaktu s uzemnenými povrchmi, ako napríklad rúrkami, radiátormi, sporákmi a chladničkami. Keď je vaše telo spojené s uzemneným predmetom alebo stojí na uzemnenom území, je zvýšené riziko elektrického šoku.

c) Nevystavujte ručné náradie dažďu alebo vlhkým podmienkam. Keď sa voda dostane pod povrch elektrického ručného náradia, je zvýšené riziko elektrického šoku.

d) Nezaobchádzajte s káblom prípojky necitlivo. Nikdy si nepríťahuje elektrické ručné náradie k sebe pomocou kábla, neťahajte ho za sebou pomocou kábla a nevyťahajte kábel zo zástrčky aby ste ručné náradie vypili. Nevystavujte kábel vysokým teplotám, oleju, ostrým hranám alebo pohyblivým častiam. Poškodené alebo zamotané káble môžu viesť k zvýšenému riziku

elektrického šoku.

e) Pri práci s ručným náradím v exteriéri použite predlžovací kábel vhodný na použitie v exteriéri. Použitím kábla vhodného na použitie v exteriéri redukuje riziko vzniku elektrického šoku.

f) Pokiaľ je práca s ručným náradím vo vlhkých podmienkach nevyhnutná, použite napájanie chránené ističom typu prúdový chránič (RCD). Použitie RCD ističa redukuje riziko vzniku elektrického šoku.

3) Osobná bezpečnosť

a) Buďte sústredení, sledujte, čo robíte, a pri práci s ručným náradím sa riaďte zdravým rozumom. Nepoužívajte ručné náradie, keď ste unavení alebo pod vplyvom omamných látok, alkoholu alebo liekov. Moment nepozornosti pri práci s ručným náradím môže viesť k vážnemu osobnému zraneniu.

b) Použite osobné ochranné pomôcky. Vždy noste ochranu očí. Ochranné pomôcky, ako napríklad protiprachová maska, topánky s protišmykovou podrážkou alebo chrániče sluchu použité v príslušných podmienkach pomáhajú redukovat' vážne osobné zranenia.

c) Predíd'te neúmyselnému zapnutiu.

Uistite sa, že prepínač je vo vypnutej pozícii, pred tým, než zapojíte náradie do elektriny a/alebo k akumulátoru, pri zdvihnutí alebo nosení náradia. Nosenie náradia s prstom na prepínači alebo aktívneho náradia, ktoré je zapnuté, zvyšuje možnosť úrazu.

d) Odstráňte akékoľvek nastavovacie kľúče alebo kľúče na matice a skrutky pred tým, než zapnete ručné náradie. Nastavovací alebo iný kľúč ponechaný pripevnený na rotujúcej časti ručného náradia môže spôsobiť osobný úraz.

e) Neprečunujte sa. Udržujte si stabilitu a pevnú zem pod nohami za každých podmienok. Umožňuje vám to lepšiu kontrolu nad ručným náradím v neočakávaných situáciách.

f) Oblečte sa náležite. Nenoste voľné oblečenie alebo šperky. Svoje vlasy a voľné oblečenie držte mimo dosahu pohyblivých častí. Voľné oblečenie, šperky alebo dlhé vlasy sa môžu do pohyblivých častí zachytiť.

g) Pokiaľ sú zariadenia nastavené na spojenie so zariadeniami na zachytávanie a extrakciu prachu, uistite sa, že sú náležite využit' a pripojené. Použitím zberača prachu redukuje riziká spojené s prachom.

h) Nedovoľ'te, aby ste vďaka skúsenostiam získaným častým používaním elektrického náradia prestali dodržiavať základy bezpečného použitia. Neopatrný úkon môže spôsobiť vážny úraz v priebehu zlomku sekundy.

4) Použitie a údržba ručného náradia

a) Nepreťahujte ručné náradie. Použite správne ručné náradie na danú činnosť. Správne ručné náradie spravi prácu lepšie a v medziach, na ktoré bolo navrhnuté.


b) Nepoužívajte ručné náradie, pokiaľ sa prepínač neprepína medzi zapnutím a

vypnutím. Akékoľvek ručné náradie, ktoré nie je kontrolovateľné prepínačom, je nebezpečné a musí byť opravené.

- c) Pred akýmkoľvek nastavovaním, výmenou násad alebo uskladnením elektrického náradia vyťahnite sieťovú zástrčku zo zásuvky alebo, ak to bude možné, vyťahnite akumulátor.** Takéto preventívne bezpečnostné opatrenia redukovávajú riziko náhodného zapnutia ručného náradia.
- d) Keď ručné náradie nepoužívate, skladujte ho mimo dosahu detí a nedovoľte osobám, ktoré nemajú skúsenosti s prácou s ručným náradím alebo neboli oboznámené s týmito inštrukciami, dotýkať sa náradia.** Ručné náradie je nebezpečné v rukách netrénovanej osoby.
- e) Vykonávajte pravidelnú údržbu elektrického náradia a príslušenstva.** Skontrolujte chybné pripojenia alebo spojenia pohyblivých častí, zlomené časti alebo iné okolnosti, ktoré by mohli ovplyvniť funkčnosť ručného náradia. Pri poškodení musí byť pred použitím najprv elektrické ručné náradie opravené. Mnoho úrazov vzniká preto, že je elektrické ručné náradie zle udržiavané.
- f) Udržujte rezacie nástroje ostré a čisté.** Náležite udržiavané rezacie nástroje s ostrými rezacími hranami sú menej náchylné na „zaseknutie“ a sú ľahšie ovládateľné.
- g) Používajte elektrické náradie v súlade s týmito pokynmi, berte pritom do úvahy pracovné podmienky a druh vykonávanej práce.** Ak sa elektrické náradie použije na iné účely, než na čo je určené, môže dochádzať k nebezpečným situáciám.
- h) Rukoväte a povrchy držiadiel udržiajte suché, čisté, bez mazív a tukov.** Šmykľavé rukoväte a držiadla neumožňujú bezpečnú manipuláciu a obsluhu náradia v neočakávaných situáciách.
- 5) Servis**
- a) Servisné práce na náradí nechajte vykonať kvalifikovaných pracovníkov s použitím originálnych náhradných dielov.** Výsledkom bude trvalá bezpečnosť pri práci s elektrickým náradím.

BEZPEČNOSTNÉ POKYNY PRE VŠETKY PÍLY

PÍLENIE

- a)  POZOR:** Udržujte ruky v dostatočnej vzdialenosti od priestoru rezania a pilového kotúča. Drzte svoju druhú ruku na pomocnej rukoväti alebo na kryte motora. Ak držíte pílu oboma rukami, nemôžete sa porezať o pilový kotúč.
- b) Nesiahajte pod rezaný materiál.** Ochranný kryt vás pod rezaným materiálom neochráni pred pilovým kotúčom.
- c) Prispôbte hĺbku rezu hrúbke rezaného materiálu.** Pod rezaným materiálom by zub

nemal byť viditeľný v celej svojej výške.

- d) Nikdy nedržte rezaný materiál v rukách alebo položený cez nohu. Upevnite rezaný materiál k stabilnej podložke.** Je dôležité upevniť rezaný materiál dôkladne, aby sa minimalizovala možnosť zranenia, zaseknutia pilového kotúča alebo straty kontroly.
- e) Pri práci v miestach, kde môže dôjsť ku kontaktu rezacieho náradia so skrytým elektrickým vedením alebo s vlastným napájacím káblom, držte pílu za izolované časti rukoväti.** Kontakt s vodičom pod napätím môže preniesť prúd do nechránených kovových častí elektrického náradia a spôsobiť úraz elektrickým prúdom.
- f) Pri rozrezávaní vždy používajte doraz alebo vodidlo.** Tým vylepšíte presnosť rezu a znížite nebezpečenstvo deformácie pilového kotúča.
- g) Vždy používajte pilové kotúče so správnou veľkosťou a tvarom (diamantový alebo kruhový) upínacích otvorov.** Pilové kotúče, ktorých upínacie otvory nezodpovedajú otvorom upevňovacieho mechanizmu pily, pri práci kmitajú a spôsobujú stratu kontroly nad náradím.
- h) Nikdy nepoužívajte poškodené alebo nevhodné podložky alebo skrutky.** Podložky a skrutky sú špeciálne navrhnuté pre vašu pílu tak, aby zaručovali optimálny pracovný výkon a bezpečnosť práce.

ĎALŠIE BEZPEČNOSTNÉ POKYNY PRE VŠETKY PÍLY

Varovanie pred spätným rázom

- Spätný ráz je neočakávaná náhla reakcia na odštiepenie, zaseknutie alebo vychylenie pilového kotúča, ktoré spôsobí nekontrolované zdvihnutie pily z pracovnej plochy smerom k používateľovi.
 - Ak je pilový kotúč pricviknutý alebo pevne zovretý v ukončení zárezu, dôjde k uviaznutiu kotúča a výkon motora vymršťá náradie dozadu smerom k používateľovi.
 - Ak sa pilový kotúč skrúti alebo sa vychýli v reze, môžu sa zuby v zadnej časti kotúča zaboriť do povrchu dreva a spôsobiť, že pilový kotúč vyjde zo zárezu a vyskočí späť smerom k používateľovi. Spätný ráz je výsledkom nesprávneho používania pily alebo zlých pracovných postupov a podmienok. Môžete mu predísť zohľadnením nižšie uvedených bezpečnostných opatrení.
- a) Pílu držte pevne oboma rukami v takej polohe, aby ste odolali silám spätného rázu. Postavte sa telom na jednu alebo druhú stranu pilového kotúča. Nikdy nestojte v jednej priamke s kotúčom.** Spätný ráz môže spôsobiť, že pilový kotúč vyskočí smerom späť. Ak sú však zohľadnené príslušné bezpečnostné opatrenia, môžu byť sily spätných rázov používateľom zmiernené.
- b) Ak sa pilový kotúč zasekne alebo preruší rez z akýchkoľvek dôvodov, uvoľnite spínač a držte pílu nehybne v materiáli, pokiaľ sa pilový kotúč nezastaví. Nikdy sa**

nepokúšajte vyťahnúť pílu z rezu alebo ju tlačíť smerom vzad, ak sa pilový kotúč otáča. Mohlo by dôjsť k spätnému rázu.

Dbajte na zvýšenú opatrnosť a dodržujte správny postup rezania, aby ste predišli zaseknutiu pilového kotúča.

- c) **Pri spúšťaní píly v reze umiestnite pilový kotúč doprostred rezu a skontrolujte, či zuby píly nie sú v styku s materiálom.** Ak sa pilový kotúč zasekne, môže pri opätovnom spustení píly vyjsť hore alebo vyskočiť z rezaného materiálu.
- d) **Podložte veľké kusy materiálu tak, aby ste predišli nebezpečenstvu zovretia pilového kotúča a vzniku spätného rázu.** Veľké kusy materiálu majú tendenciu prehybať sa vlastnou ťažkou. Podpery musia byť umiestnené na oboch stranách blízko línie rezu a blízko okraja materiálu.
- e) **Nepoužívajte tupé alebo poškodené pilové kotúče.** Nenaostrené alebo nesprávne nainštalované pilové kotúče robia úzky rez, ktorý vytvára nadmerné trenie a zvyšuje nebezpečenstvo zaseknutia pilového kotúča alebo vzniku spätného rázu.
- f) **Pred vykonaním rezu musí byť nastavenie hlĺky rezu a sklonu pilového kotúča zaaretované prislúšnými páčkami.** Ak sa nastavenie pilového kotúča počas rezu zmení, môže dôjsť k jeho zaseknutiu a spätnému rázu.
- g) **Pri rezaní v stenách a neznámych miestach je potrebné dbať na zvláštnu opatrnosť.** Pilový kotúč môže naraziť na predmety, ktoré môžu spôsobiť spätný ráz.

stól alebo podlahu, overte, či je vysunutý spodný ochranný kryt. Nechránený, dobiehajúci pilový kotúč spôsobí, že píla začne cúvať a rezať všetko, čo jej stojí v ceste. Berte do úvahy, že od vypnutia píly tlačidlom do zastavenia pilového kotúča uplynie určitý čas.

ĎALŠIE ZVLÁŠTNE BEZPEČNOSTNÉ UPOZORNENIA PRE OKRUŽNÚ PÍLU

1. Používajte iba rezné kotúče odporúčené výrobcom, ktoré zodpovedajú norme EN 847-1, pokiaľ sú určené pre drevo a podobné materiály.
2. Nepoužívajte žiadne abrazívne kotúče.
3. Pilové kotúče musia mať priemer zodpovedajúci prislúšnému označeniu.
4. Pre rezaný materiál používajte vhodné rezné kotúče.
5. Používajte iba rezné kotúče, ktoré sú označené rýchlostným indexom, ktorý je zhodný alebo vyšší, ako rýchlostný index vyznačený na náradí.

SYMBOLS



Kvôli zníženiu rizika poranenia je potrebné, aby si používateľ najprv prečítal návod



Výstraha



Používajte ochranu očí



Používajte ochranu sluchu



Používajte protiprachovú masku



Noste ochranné rukavice



Dvojitá izolácia



Elektrické výrobky sa nesmú likvidovať spolu s domácim odpadom. Recyklujte v zberných miestach na tento účel zriadených. O možnosti recyklácie sa informujte na miestnych úradoch alebo u predajcu.



Zamknúť



Odomknúť

BEZPEČNOSTNÉ POKYNY PRE KOTÚČOVÉ PÍLY SO SPODNÝM OCHRANNÝM KRYTOM

FUNKCIA SPODNÉHO KRYTU

- a) **Pred každým použitím skontrolujte, či sa spodný kryt správne zatvára. Pílu nepoužívajte, ak sa spodný kryt nepohybuje voľne a ihneď sa nezatvára. Spodný kryt nikdy neupevňujte ani neuväzujte do otvorenej polohy.** Ak dôjde k náhodnému pádu píly, spodný kryt sa môže ohnúť. Spodný kryt ovládacou páčkou zdvihnite a skontrolujte, či sa voľne pohybuje a nedotýka sa kotúča ani iných častí, a to pri všetkých hlĺkach rezu a hodnotách pokosu.
- b) **Skontrolujte fungovanie pružiny dolného krytu. Ak kryt a pružina nepracujú správne, treba pílu pred použitím poslať do servisu.** Ak má poškodené časti, sú na ňom lepkavé nánosy alebo sa na ňom zhromažďuje piliny, pohybuje sa dolný kryt spomalene.
- c) **Dolný kryt smie byť zatiahnutý iba pri špeciálnych typoch prác, ako je rezanie vybraní alebo zložených rezov. Zdvihnite spodný kryt potiahnutím páčky, ale ihneď, ako kotúč vnikne do materiálu, spodný kryt musí byť uvoľnený.** Pre všetky ostatné typy rezania nechajte spodný kryt pracovať automaticky.
- d) **Pred tým, ako odložíte pílu na pracovný**

ZOZNAM SÚČASTÍ

1. PREDNÁ RUKOVÄŤ
2. TELESO MOTORA
3. UHLÓMER ZÁKLADNEJ DOSKY
4. GOMGÍK NA ZAISTENIE SKLONU ZÁKLADNEJ DOSKY
5. ROVNOBEŽNÉ VODIACE RAMENO
6. GOMBÍK NA ZAISTENIE ROVNOBEŽNÉHO VODIACEHO RAMENA
7. DRÁŽKA VODIACEHO RAMENA REZU
8. SPODNÝ OCHRANNÝ KRYT PÍLOVÉHO KOTÚČA
9. ZÁKLADNÁ DOSKA
10. VONKAJŠIA PRÍRUBA
11. SKRUTKA NA UPEVNIENIE REZNÉHO KOTÚČA
12. PÍLOVÝ LIST
13. PÁČKA SPODNÉHO OCHRANNÉHO KRYTU
14. ADAPTÉR NA PRIPOJENIE HADICE VYSÁVAČA
15. PEVNÝ OCHRANNÝ KRYT
16. BEZPEČNOSTNÉ TLAČIDLO ZAPNÚŤ/VYPNÚŤ
17. ODISŤOVACIE TLAČIDLO
18. PÁČKA NA NASTAVEDNIE HLĚBKOMERA REZU
19. ŠEŠŤHRANNÝ KL'UČ
20. ZAIŠŤOVACIE TLAČIDLO VRETENA

Do štandardnej dodávky nie je zahrnuté všetko zobrazené alebo opísané príslušenstvo.

TECHNICKÉ ÚDAJE

Typ DX59 (59 - označenie zariadenia, predstavuje kotúčovú pílu)

Menovité napätie	220-240V~50/60Hz	
Menovitý výkon	1400W	
Otáčky naprázdno	5800/min	
Trieda ochrany	□ /II	
Veľkosť pílového kotúča	185mm	
Otvor v pílovom kotúči	16mm	
Kapacita pílenia		
	90°	65mm
	45°	45mm
Kapacita skosenia		0-45°
Hmotnosť zariadenia		4.06kg

INFORMÁCIE O HLUKU

Nameraný akustický tlak	L_{pA} : 89.9 dB (A)
Nameraný akustický výkon	L_{wA} : 100.9 dB (A)
K_{pA} & K_{wA}	3.0 dB (A)
Používajte ochranu sluchu.	

INFORMÁCIE O VIBRÁCIÁCH

Výsledné celkové hodnoty pre vibrácie (suma pre trojosový vektor) stanovené podľa normy EN 62841:	
Hodnota emisie vibrácií:	Rezanie dreva: $a_{h,w} = 1.62 \text{ m/s}^2$ (Hlavná rukoväť)
	Rezanie dreva: $a_{h,w} = 3.32 \text{ m/s}^2$ (Prídavná rukoväť)
	Nepresnosť $K = 1.5 \text{ m/s}^2$

SK

Deklarovaná celková hodnota vibrácií a deklarovaná úroveň vytváraného hluku boli merané v súlade so štandardnými skúšobnými postupmi a môžete ich použiť na vzájomné porovnanie jednotlivých náradí. Deklarovaná celková hodnota vibrácií a deklarovaná úroveň vytváraného hluku môžu byť tiež použité na predbežné stanovenie doby práce s náradím.



VAROVANIE: Vibrácie a hlučnosť pri aktuálnom použití elektrického náradia sa od deklarovanych môžu líšiť v závislosti od spôsobu, akým je náradie používané, a hlavne od typu spracovávaného obrobku podľa nasledujúcich príkladov a ďalších spôsobov, akými je náradie používané:

Ako sa náradie používa a aké materiály sa budú rezať alebo vŕtať.

Náradie musí byť v dobrom stave a musí byť vykonávaná jeho riadna údržba.

S náradím sa musí používať správne príslušenstvo, a toto príslušenstvo musí byť ostré a v dobrom stave.

Pevnosť uchopenia rukovätí a či je použité akékoľvek príslušenstvo znižujúce úroveň vibrácií a hluku.

Toto náradie môže byť použité iba na určené účely a podľa týchto pokynov.

Ak sa toto náradie nepoužíva zodpovedajúcim spôsobom, môže spôsobiť syndróm choroby spôsobenej pôsobením vibrácií na ruky a paže obsluhy.



VAROVANIE: Ak chcete byť presní, odhad času pôsobenia vibrácií v aktuálnych podmienkach pri použití tohto náradia by mal brať do úvahy taktiež všetky časti pracovného cyklu, ako sú časy, kedy je náradie vypnuté a kedy je v chode vo voľnobežných otáčkach, ale v skutočnosti nevykonáva žiadnu prácu. Čas pôsobenia vibrácií tak môže byť v rámci celkového pracovného času značne skrátený.

Pomáha minimalizovať riziko pôsobenia vibrácií a hluku.

VŽDY používajte ostré sekáče, vŕtáky a nože.

Vykonávajte údržbu tohto náradia podľa týchto pokynov a zaistíte jeho riadne mazanie (ak je to vhodné).

Ak bude náradie používané pravidelne, potom investujte do príslušenstva znižujúceho úroveň vibrácií a hluku.

Vypracujte si svoj plán práce, aby ste pôsobenie vysokých vibrácií tohto náradia rozdelili do niekoľkých dní.

PRÍSLUŠENSTVO

Adaptér na odsávanie prachu	1
Imbusový kľúč	1
Rovnobežné vodiace rameno	1
Čepeľ	1

Odporúčame príslušenstvo kúpiť v rovnakom obchode ako samotné náradie. Podrobnejšie informácie sú pribalené k jednotlivému príslušenstvu. Odborní predavači vám pomôžu a poradia.

NÁVOD NA OBSLUHU



POZNÁMKA: Pred používaním nástroja si pozorne prečítajte návod na obsluhu.

ZAMÝŠLANE POUŽITIE

Táto píla je určená na pozdĺžne a priečne pílenie dreva v rovných líniah rezu, ako aj v 45° s pilou pevne spočívajúcou na obrobku.

MONTÁŽ

1. UPNUTIE/VÝMENA PÍLOVÉHO KOTUČA (POZRITE SI OBR. A1, A2, A3)

Stlačte tlačidlo na zaistenie vretena a pomocou imbusového kľúča uvoľnite a vyberte skrutku na upevnenie pilového kotuča (11). Vyberte vonkajšiu prírubu (10). Spodný ochranný kryt pilového kotuča otáčajte doprava a starý pilový kotuč (12) vyberte potiahnutím páčky na ochrannom kryte. Vložte náhradný pilový kotuč. Otvor v pilovom kotúči musí byť umiestnený na vnútornej prírubu (a) a šípka smeru otáčania pilového kotuča sa musí zhodovať so šípkou smeru na pevnom ochrannom kryte. Založte vonkajšiu prírubu a do otvoru v pilovom kotúči vložte skrutku na je ho upevnenie. Znova stlačte tlačidlo na zaistenie vretena a pomocou imbusového kľúča utiahnite skrutku o 1/4 otáčky viac ako utonutie prstom. Pilový kotuč skontrolujte, či je bezpečne upnutý.



VÝSTRAHA: Zuby pilového listu sú veľmi ostré. Ak chcete dosiahnuť najlepšie výsledky

pílenia, používajte taký pilový kotuč, ktorý je vhodný pre materiál, a kvalitu pílenia, ktorú potrebujete.

2. NASTAVENIE HLBKY REZU (POZRITE SI OBR. B)

Uvoľnite zaistovacia páčka hĺbkomeru rezu a teleso píly zdvihnite zo základnej dosky. Hĺbku rezu nastavte pomocou stupnice a zaistíte zatlačením páčky nadol. K hĺbke rezu vždy pridajte 3 mm, aby pilkový kotuč prepíliť materiál.

3. NASTAVENIE UHLA ZÁKLADNEJ DOSKY (POZRITE SI OBR. C1, C2)

Gombík na zaistenie sklonu základnej dosky otáčajte doľava a uvoľnite stupnicu sklonu. Základnú dosku odkloňte od stroja, až kým nebude na uhlomere nastavený požadovaný uhol pílenia. Gombík na zaistenie sklonu utiahnite otáčaním doprava. Hĺbkomer nepoužívajte pri vyznačovaní skosených rezov pre možnú nepresnosť.

4. VÝSTUP NA ODSÁVANIE PRACHU (POZRITE SI OBR. D)

Adaptér na pripojenie hadice vysávača upevnite na odsávací otvor, až kým nezapadne. Potom adaptér na pripojenie hadice vysávača upevnite na pevný ochranný kryt pomocou dvoch skrutiek. Do adaptéra priamo zapojte vhodnú hadicu vysávača.

Na zaistenie optimálneho odsávania prachu pravidelne čistite adaptér na pripojenie hadice vysávača pravidelne. Vysávač musí byť vhodný pre materiál, ktorý sa má píliť.

5. NASTAVENIE ROVNOBEŽNÉHO VODIACEHO RAMENA (POZRITE SI OBR. E)

Používa sa na vyznačenie rezov rovnožečne s hranou obrobku vo zvolenej vzdialenosti. Na dosiahnutie požadovanej vzdialenosti posuňte rovnožečné vodiace rameno cez upínadlo a potom ho utiahnite zaistovacím gombíkom. Môže sa používať na obidvoch stranách základnej dosky. Pri rovných rezoch používajte vodiacu značku 0° na zarovnanie so stupnicou rovnožečného vodiaceho ramena. Pri 45° skosených rezoch používajte vodiacu značku 45° na zarovnanie so stupnicou rovnožečného vodiaceho ramena.

Rovnožečné vodiace rameno pevne upnite.

POZNÁMKA: Najlepšie je vykonať skúšobný rez.

PREVÁDZKA

1. POLOHA ÚCHOPU RUKOVÁTE (POZRITE SI OBR. F)

Pílu vždy držte pri jej obsluhu pevne obidvoma rukami.

2. BEZPEČNOSTNÉ TLAČIDLO ZAPNÚŤ/VYPNÚŤ (POZRITE SI OBR. G)

Spínač je zablokovaný, aby sa zabránil náhodnému spusteniu nástroja. Stlačte zaistovacie tlačidlo a potom stlačte tlačidlo Zapnúť/vypnúť a uvoľnite zaistovacie tlačidlo. Spínač je teraz zapnutý.

Ak ho chcete vypnúť, stačí uvoľniť tlačidlo Zapnúť/vypnúť. Pílový kotúč sa môže vo vypnutí stále otáčať. Pred nastavovaním počkajte na úplné zastavenie píly.

TIPY NA PRÁCU S NÁSTROJOM

Ak sa píla príliš zahreje, nechajte ju, prosím, bežať 2 až 3 minúty naprázdno, čím sa motor ochladí. Nepoužívajte pílu pri veľmi nízkych otáčkach po dlhší čas.

Pílové kotúče chráňte pred nárazmi a otrasmi. Nadmerný posuv výrazne znižuje výkonnosť zariadenia a znižuje prevádzkovú životnosť pílového kotúča. Výkonnosť pílenia a kvalita rezu závisia v podstate od stavu a počtu zubov pílového kotúča. Preto používajte iba ostré pílové kotúče, ktoré sú vhodné na materiál, ktorý sa bude opracovávať.

Výber pílových kotúčov: 24 zubov na bežné práce, približne 40 zubov na jemnejšie rezy, viac ako 40 zubov na veľmi jemné rezy do krehkých povrchov, diamant na dlaždice, cementové dosky, atď.

Používajte len odporúčané pílové kotúče.

ÚDRŽBU NÁSTROJOV VYKONÁVAJTE OPATRNĚ

Pred vykonávaním nastavovania, opráv a údržby vytiahnite zástrčku z elektrickej zásuvky.

Nástroje udržiavajte ostré a čisté pre lepšie a bezpečnejšie vykonávanie práce. Dodržiavajte pokyny na mazanie a výmenu príslušenstva. Pravidelne kontrolujte napájacie káble a v prípade poškodenia ich odovzdajte na opravu do autorizovaného servisu. Vaša kotúčová elektrická píla si nevyžaduje žiadne ďalšie mazanie alebo údržbu. Táto kotúčová elektrická píla neobsahuje žiadne používateľom opraviteľné diely. Na čistenie nástroja nikdy nepoužívajte vodu alebo chemické čistiace prostriedky. Vytierajte suchou handričkou. Kotúčová elektrická píla

vždy uschovávajte na suchom mieste. Vetracie otvory na kryte elektromotora udržiavajte čisté. Zo všetkých ovládacích prvkov odstraňujte prach.

Ak je napájací kábel poškodený, musí ho vymeniť výrobca, jeho servisný zástupca alebo podobne kvalifikovaný pracovník, aby sa predišlo nebezpečenstvu zranenia.

Na zabezpečenie riadneho výkonu musíte z ochranného krytu a podložky pravidelne odstraňovať prach a piliny.

OCHRANA ŽIVOTNÉHO PROSTREDIA



Elektrické výrobky sa nesmú likvidovať spolu s domácim odpadom. Recyklujte v zberných miestach na tento účel zriadených. O možnosti recyklácie sa informujte na miestnych úradoch alebo u predajcu.

PREHLÁSENIE O ZHODE

My,
POSITEC Germany GmbH
Postfach 32 02 16, 50796 Cologne, Germany

Vyhlasujeme, že tento výrobok

Popis **Cirkulárka**

Typ **DX59 (59-označenie nástroja predstavujúce pílu)**

Funkcie **Rezanie rôznych materiálov pomocou otočnej ozubenej čepele**

Zodpovedá nasledujúcim smereciam:
**2006/42/EC, 2011/65/EU&(EU)2015/863
2014/30/EU**

Spĺňa posudzované normy:

EN 62841-1, EN 62841-2-5,

EN 55014-1, EN 55014-2

EN IEC 61000-3-2, EN 61000-3-3,

Osoba zodpovedajúca za technickú dokumentáciu,

Názov Marcel Filz

Adresa POSITEC Germany GmbH

Postfach 32 02 16, 50796 Cologne, Germany



2021/05/20

Allen Ding

Zástupca vrchnej konštruktívnej kancelárie, Testovanie & Certifikácia

Positec Technology (China) Co., Ltd

18, Dongwang Road, Suzhou Industrial

Park, Jianguo 215123, P. R. China

SK

IZVIRNA NAVODILA VARNOST IZDELKA SPLOŠNA VARNOSTNA OPOZORILA

! **OPOZORILO** Pred uporabo orodja, pozorno preberite vsa varnostna opozorila, navodila, preglejte ilustracije ter preverite tehnične podatke orodja. Neupoštevanje opozoril in navodil lahko privede do električnega udara in/ali resnih poškodb.

Vsa opozorila in napotila shranite, ker jih boste v prihodnje še potrebovali.

Pojem „električno orodje“, ki se pojavlja v nadaljnjem besedilu, se nanaša na električna orodja z električnim pogonom (z električnim kablom) in na akumulatorska električna orodja (brez električnega kabla).

1) Varnost na delovnem mestu

- a) **Delovno področje naj bo vedno čisto in dobro osvetljeno.** Nered in neosvetljena delovna področja lahko povzročijo nezgode.
- b) **Ne uporabljajte električnega orodja v okolju, kjer lahko pride do eksploziji oziroma tam, kjer se nahajajo vnetljive tekočine, plini ali prah.** Električna orodja povzročajo iskenje, zaradi katerega se lahko prah ali para vnameta.
- c) **Prosimo, da med uporabo električnega orodja ne dovolite otrokom ali drugim osebam, da bi se Vam približali.** Odvrčanje Vaše pozornosti drugam lahko povzroči izgubo kontrole nad napravo.

2) Električna varnost

- a) **Priključni vtičnik električnega orodja se mora prilegati vtičnici.** Spreminjanje vtičnika na kakršenkoli način ni dovoljeno. Pri ozemljenih električnih orodjih ne uporabljajte vtičnikov z adapterji. Nespremenjeni vtičniki in ustrezne vtičnice zmanjšujejo tveganje električnega udara.
- b) **Zogibajte se telesnemu stiku z ozemljenimi površinami kot so na primer cevi, grelci, štedilniki in hladilniki.** Tveganje električnega udara je večje, če je Vaše telo ozemljeno.
- c) **Prosimo, da napravo zavarujete pred dežjem ali vlago.** Vdor vode v električno orodje povečuje tveganje električnega udara.
- d) **Ne uporabljajte kabla za nošenje ali obešanje električnega orodja in ne vlecite za kabel, če želite vtičnik izvleči iz vtičnice.** Kabel zavarujte pred vročino, oljem, ostrimi robovi ali premikajočimi se deli naprave. Poškodovani ali zapleteni kablji povečujejo tveganje električnega udara.
- e) **Kadar uporabljate električno orodje zunaj, uporabljajte samo kabelske podaljške, ki so primerni za delo na prostem.** Uporaba kabelskega podaljška, ki je primeren za delo na prostem, zmanjšuje tveganje električnega udara.
- f) **Če je uporaba električnega orodja v vlažnem okolju neizogibna, uporabljajte stikalo za zaščito pred kvarnim tokom.**

Uporaba zaščitnega stikala zmanjšuje tveganje električnega udara.

3) Osebna varnost


- a) **Bodite pozorni, pazite kaj delate ter se dela z električnim orodjem lotite z razumom.** Ne uporabljajte električnega orodja, če ste utrujeni oziroma če ste pod vplivom mamil, alkohola ali zdravil. Trenutek nepazljivosti med uporabo električnega orodja je lahko vzrok za resne telesne poškodbe.
 - b) **Uporabljajte osebno zaščitno opremo in vedno nosite zaščitna očala.** Nošenje osebne zaščitne opreme, na primer maske proti prahu, neдрsečih zaščitnih čevljev, varnostne čelade ali zaščitnih slušnikov, kar je odvisno od vrste in načina uporabe električnega orodja, zmanjšuje tveganje telesnih poškodb.
 - c) **Zogibajte se nenamernemu zagonu.** Pred priključitvijo električnega orodja na električno omrežje in/ali na akumulator in pred dviganjem ali nošenjem se prepričajte, če je električno orodje izklopljeno. Prenašanje naprave s prstom na stikalo ali priključitev vklopljenega električnega orodja na električno omrežje je lahko vzrok za nezgodo.
 - d) **Pred vklapljanjem električnega orodja odstranite nastavitvena orodja ali izvijače.** Orodje ali ključ, ki se nahaja v vrtečem se delu naprave, lahko povzroči telesne poškodbe.
 - e) **Izogibajte se nenormalni telesni drži.** Poskrbite za trdno stojišče in za stalno ravnotežje. Tako boste v nepričakovanih situacijah električno orodje lahko bolje nadzorovali.
 - f) **Nosite primerna oblačila. Ne nosite ohlapnih oblačil in nakita.** Poskrbite, da se med delovanjem električnega orodja vaši lasje, oblačila in rokavice, ne bodo ujeli med premikajoče se dele. Premikajoči se deli orodja lahko zagrabijo ohlapno oblačilo, dolge lase ali nakit.
 - g) **Če ima električno orodje predvideno namestitev enot za odsesavanje prahu ali zbiranje delcev, poskrbite, da bodo te tudi pravilno nameščene in uporabljene.** Če uporabljate enoto za zbiranje delcev, obstaja manjša nevarnost nesreč zaradi prahu.
 - h) **Upošteвайте, da boste s pogosto uporabo orodja, z njim postali zelo domači, zaradi česar bi lahko ravnali ravnodušno, ter spregledali varnostna pravila za uporabo orodja.** Nepremišljeno ravnanje lahko že v trenutku nepazljivosti, povzroči resne poškodbe.
- 4) **Skrbna uporaba in ravnanje z električnimi orodji**
 - a) **Ne preobremenjujte naprave.** Pri delu uporabljajte električna orodja, ki so za to delo namenjena. Z ustreznim električnim orodjem boste v navedenem zmogljivostnem področju delali bolje in varneje.
 - b) **Ne uporabljajte električnega orodja s pokvarjenim stikalom.** Električno orodje, ki se ne da več vklopiti ali izklopiti, je nevarno in ga je potrebno popraviti.
 - c) **Pred vsakršnimi prilagoditvami, nastavitvami, menjavanjem priključkov ali shranjevanjem, morate električno orodje**

izklopiti iz napajanja ali iz njega odstraniti akumulator. Ta previdnostni ukrep preprečuje nenamerni zagon električnega orodja.

- d) **Električna orodja, ki jih ne uporabljate, shranjujte izven dosega otrok. Osebam, ki naprave ne poznajo ali niso prebrale teh navodil za uporabo, naprave ne dovolite uporabljati.** Električna orodja so nevarna, če jih uporabljajo neizkušene osebe.
- e) **Električna orodja in pripomočke redno vzdržujte. Nadzirajte brezhibno delovanje premičnih delov orodja, ki se ne smeje zatikati. Če so ti deli zlomljeni ali poškodovani do te mere, da ovirajo delovanje električnega orodja, jih je potrebno pred uporabo orodja popraviti.** Slabo vzdrževana električna orodja so vzrok za mnoge nezgode.
- f) **Rezalna orodja vzdržujte tako, da bodo vedno ostra in čista.** Skrbno negovana rezalna orodja z ostrimi robovi se manj zatikajo in so lažje vodljiva.
- g) **Električna orodja, pribor, vsadna orodja in podobno uporabljajte ustrezno tem navodilom. Pri tem upoštevajte delovne pogoje in dejavnost, ki jo boste opravljali.** Uporaba električnih orodij v namene, ki so drugačni od predpisanih, lahko privede do nevarnih situacij.
- h) **Poskrbite, da bodo ročaji in ostale prijemalne površine, vedno suhi, čisti in brez ostankov olj ali masti.** Če pride do nepredvidenih situacij, vam spolzki ročaji in prijemalne površine ne zagotavljajo varnega rokovanja in nadzora nad orodjem.
- 5) **Servisiranje**
- a) **Vaše električno orodje naj popravlja le kvalificirano strokovno osebje, ki uporablja originalne nadomestne dele.** Tako bo zagotovljena predpisana varna uporaba orodja.

VARNOSTNA OPOZORILA ZA VSE ŽAGE

POSTOPEK ŽAGANJA

- a)  **NEVARNOST: Roke imejte proč od rezalnega območja in rezila. Z drugo roko trdno držite pomožni ročaj ali ohišje motorja. Če žago držite z obema rokama, si jih ne morete poškodovati z rezilom.**
- b) **Ne segajte pod obdelovanec.** Ščit vas ne more zaščititi pred rezilom pod obdelovancem.
- c) **Globino reza prilagodite na debelino obdelovanca. Med delom naj gleda izpod obdelovanca manj kot polni zob rezila.**
- d) **Nikoli ne držite obdelovanca v vaših rokah ali na nogah. Obdelovanec postavite na stabilno platformo. De preprečite izpostavljenost telesa, zagodenje rezila ali izgubo nadzora je pomembno, da orodje pravilno uporabljate.**
- e) **Kadar bi med uporabo električnega strojčka lahko z rezalnim orodjem prišli v stik z električno napeljavo, morate**

slednjega vedno držati za izolirane ročaje. Če z orodjem pridete v stik električnim kablom pod "napetostjo", to povzroči, da postanejo "električni" tudi kovinski deli celotnega orodja, zaradi česar lahko pride do električnega udara.

- f) **Pri žaganju naj bo vedno nameščen razporni klin ali vodilo za ravno rezanje.** To izboljša natančnost reza in zmanjša možnost, da bi se rezilo ukrivalo.
- g) **Vedno uporabite rezila pravilne velikosti in oblike (diamantno ali okroglo).** Rezila, ki ne ustrezajo montažni strojni opremi žage, se lahko vrtijo v prazno, kar lahko povzroči izgubo nadzora.
- h) **Nikoli ne uporabljajte poškodovanih ali neustreznih podložk oziroma vijakov.** Podložke in vijaki rezila so bili izdelani posebej za vašo žago, za optimalno učinkovitost in varnost delovanja.

DODATNA VARNOSTNA NAVODILA ZA DELO

Vzroki povratnega udarca in referenčna opozorila

- Povratni udarec je nenadna reakcija na stisnjenem, ukripljenem ali neporavnem rezilu, ki povzroča, da se žaga nenadzorovano dvigne iz obdelovanca proti upravljavcu;
 - Ko se rezilo ujame v zarezo zastane, motor pa enoto požene hitro nazaj proti upravljavcu;
 - Če rezilo med rezom postane zvito ali neporavnano, to lahko povzroči, da se zobje rezila zakopljejo v les, in rezilo skoči nazaj proti upravljavcu.
- Povratni udarec je posledica nepravilne uporabe žage in/ali nepravilnih obratovalnih postopkov ali pogojev, toda če upoštevate spodaj navedene predpise, ga lahko preprečite.
- a) **Ohranite dober oprijem na žago, in roke postavite tako, da se lahko uprete sili povratnega udarca. S telesom bodite vedno izven smeri v kateri žagate.** Povratni sunek lahko povzroči, da žaga skoči nazaj, vendar sile povratnega sunka lahko nadzorujete, če se držite ustreznih varnostnih ukrepov.
- b) **Če se rezilo zagoddi, ali se rezilo zaradi neznanega razloga začne ustavljeni, spustite sprožilec in brez premikanja držite žago, dokler se rezilo ne ustavi. Nikoli ne poskušajte žage odstraniti iz obdelovanca ali jo povleči nazaj, dokler je rezilo v teku, saj to lahko povzroči povratni udarec.** Preverite in gleda na ugotovitve ukrepajte tako, da odstranite razlog za zagodenje rezila.
- c) **Če želite ponovno zagnati žago v obdelovanec, ga poravnajte v rez, in preverite, da zobje rezila niso potopljeni v material.** Če se rezilo zagoddi, se lahko žaga pri ponovnem zagonu premakne ali skoči nazaj.
- d) **Za zmanjšanje tveganja stiska rezila ali povratnega udarca, velike plošče**

- podprite.** Velike plošče se pod lastno težo lahko nagibajo. Ploščo morate na obeh straneh podpreti, blizu linije reza in blizu roba plošče.
- e) **Ne uporabljajte topih ali poškodovanih rezil.** Nenabrušena ali nepravilno nastavljena rezila napravijo ozek rez, ki povzroča pretirano trenje, zaustavljanje rezila ali povratni sunek.
- f) **Zaklepajoči ročici za nastavljanje naklona in globine reza morata biti pred začetkom uporabe žage tesno pritrjeni.** Če se rezilo med rezanjem premika, to lahko povzroči zaustavitev rezila in povratni sunek.
- g) **Pri žaganju v obstoječe stene ali druga slepa območja bodite še posebej previdni.** Rezilo, ki je potopljeno v obdelovancu, lahko zadene ob predmete, ki povzročijo povratni udarec.

VARNOSTNA NAVODILA ZA KROŽNO ŽAGO Z NOTRANJIM VAROVALOM NIHANJA

FUNKCIJA SPODNJEGA VAROVALA

- a) **Pred vsako uporabo preverite, če se spodnje varovalo pravilno zapira. Če se slednje ne premika prosto in ne zapira, krožne žage ne uporabljajte. Spodnjega varovala nikoli ne pritržite v odprt položaj.** Če žaga po nesreči pade na tla, se lahko spodnje varovalo skrivi. Dvignite spodnje varovalo za držalo in preverite, če se prosto premika ter se ne zadeva ob rezilo ali kak drug del.
- b) **Preverite delovanje varovalne vzmeti spodnjega ščita. Če varovalo in vzmet ne delujeta pravilno, ju morate pred uporabo servisirati.** Zaradi poškodovanih delov ali kopičenja odpadkov obstaja možnost, da spodnji ščit ne deluje popolno.
- c) **Spodnje varovalo lahko odmaknete ročno, predvsem v primerih, če želite delati "potopne reze" ali "zajere". Za držalo dvignite varovalo tako, ko se rezilo dotakne obdelovanca, nato varovalo sprostite, da se prosto premika. Pri ostalih vrstah rezanja, pustite, da se spodnje varovalo prosto premika in odpira glede na položaj žage.**
- d) **Preden žago odložite, preverite, ali je spodnje varovalo zaprto. Nezaščiteno, prosto se vrteče rezilo bo povzročilo, da bo žaga odskočila in poškodovala kar ji bo na poti. Upoštevajte, da se rezilo po izklopu še nekaj časa vrti.**

2. Ne nameščajte brusilnih kolutov.
3. Uporabiti samo rezila, katerih premer je v skladu z oznakami.
4. Rezilo izberite glede na vrsto materiala, ki ga boste žagali.
5. Uporabljajte le rezila, katerih oznaka števila vrtljajev je enaka ali višja, kot je število vrtljajev orodja.

SYMBOLS



Zaradi zmanjševanja nevarnosti poškodb, se temeljito seznanite z navodili za uporabo



Opozorilo



Uporabljajte zaščito za oči



Uporabljajte zaščito za ušesa



Nosite zaščitno masko za prah



Nosite zaščitne rokavice



Dvojna izolacija



Odpadnih električnih naprav ne smete zavreči skupaj z ostalimi gospodinjstskimi odpadki. Dostavite jih na mesto za ločeno zbiranje odpadkov. Glede podrobnosti, se posvetujte z lokalno službo za ravnanje z odpadki.



Zaklenjeno



Odklenjeno

DODATNI VARNOSTNI PREDPISI ZA KROŽNO ŽAGO

1. Za žaganje lesa in podobnih materialov, uporabljajte le rezila, ki jih priporoča proizvajalec in so skladna z EN-847-1.

SEZNAM KOMPONENT

1. SPREDNJI ROČAJ
2. OHIŠJE MOTORJA
3. KOTNA LESTVICA OSNOVNE PLOŠČE
4. ZAKLEPANJE NAGIBA OSNOVNE PLOŠČE
5. VZPOREDNO VODILO
6. GUMB ZA ZAKLEPANJE VZPREDNEGA VODILA
7. UTOR VODILA ZA REZANJE
8. SPODNJI ŠČITNIK LISTA
9. OSNOVNA PLOŠČA
10. ZUNANJA PRIROBNICA
11. VIJAK LISTA
12. LIST ŽAGE
13. ROČICA SPODNJEGA ŠČITNIKA
14. ADAPTER ZA SESALNIK
15. FIKSNI ŠČITNIK
16. VARNOSTNO STIKALO ZA VKLOP/IZKLOP
17. GUMB ZA ZAKLEPANJE
18. ROČICA ZA PRILAGODITEV GLOBINE REZA
19. ŠESTKOTNI KLJUČ
20. GUMB ZA ZAKLEPANJE VRETENA

Ves ilustriran ali opisan dodatni pribor ni vključen v standardni obseg dobave.

SL

TEHNIČNI PODATKI

Oznaka DX59 (59 - oznaka stroja, predstavlja krožno žago)

Nazivna napetost	220-240V~50/60Hz
Nazivna moč	1400W
Hitrost brez obremenitve	5800/min
Razred zaščite	□/II
Velikost lista	185mm
Izvertina lista	16mm
Zmogljivost rezanja	
90°	65mm
45°	45mm
Zmogljivost nagiba	0-45°
Teža naprave	4.06kg

PODATKI O HRUPU

Vrednotena raven zvočnega tlaka	L_{pA} : 89.9 dB (A)
Vrednotena raven zvočne moči	L_{wA} : 100.9 dB (A)
K_{pA} & K_{wA}	3.0 dB (A)
Uporabljajte zaščito za ušesa.	

PODATKI O VIBRACIJAH

Skupne vrednosti oscilacij (vektorski seštevek treh smeri), skladno z EN 62841:	
Vrednost emisije vibracij:	Rezanje lesa: $a_{h,W} = 1.62 \text{ m/s}^2$ (Glavni ročaj)
	Rezanje lesa: $a_{h,W} = 3.32 \text{ m/s}^2$ (Pomožni ročaj)
	Negotovost $K = 1.5 \text{ m/s}^2$

Deklarirana skupna raven vibracij ter deklarirana vrednost emisij hrupa, sta bili izmerjeni skladno s standardno testno metodo in služita primerjavi orodij med seboj.

Deklarirano skupno raven vibracij ter deklarirano vrednost emisij hrupa, lahko uporabljate tudi kot osnovo za ocenjevanje izpostavljenosti.

! **OPOZORILO:** Dejanski vrednosti emisij vibracij ter hrupa med uporabo orodja, se lahko razlikujeta od navedenih, kajti nanju vpliva tudi način uporabe orodja ter vrsta obdelovanca, predvsem pa naslednje okoliščine: Način uporabe orodja in materiali, ki jih lahko obdelujete.

Ali je orodje v dobrem stanju in ustrezno vzdrževano.

Ali uporabljate ustrezni dodatek in njegova brezhibnost.

Čvrstost oprijema ročajev in morebitna uporaba dodatkov za zmanjševanje vibracij.

Uporaba orodja za predviden namen, skladen s temi navodili.

Če orodja ne uporabljate pravilno, lahko povzroči vibracijski sindrom zapestja in rok.

! **OPOZORILO:** Če želimo resnično natančno oceniti raven izpostavljenosti v dejanskih okoliščinah, moramo upoštevati tudi vse faze delovnega procesa, tudi število vklopov in izklopov strojčka ter čas, ko deluje v prostem teku in neobremenjeno. To lahko znatno zmanjša raven izpostavljenosti tekom celotnega delovnega procesa. Pomoč pri zmanjševanju tveganja pri izpostavljenosti vibracijam in hrupu.

VEDNO uporabljajte le ostre pripomočke.

Orodje vzdržujte skladno s temi navodili in poskrbite, da bo dobro namazano (kjer je potrebno).

Če boste orodje uporabljali redno, potem investirajte v dodatke za zmanjševanje vibracij in hrupa.

Delo si organizirajte tako, da boste opravila z visoko ravno vibracij izvajali v več fazah, tekom nekaj dni.

DODATKI

Adapter odsesovalnika	1
Šestkotni ključ	1
Vzporedno vodilo	1
Rezilo	1

Priporočamo vam, da dodatke vedno kupujete v isti trgovini, kot ste kupili strojček. Za podrobnosti si oglejte razlage na embalaži kompleta dodatkov. Pri odločanju o ustreznem dodatku, vam lahko pomaga tudi osebeje v trgovini.

NAVODILA ZA UPORABO

! **OPOMBA:** Pred uporabo orodja natančno preberite navodila.

PREDVIDENA UPORABA

Stroj je namenjen za vzdolžno in prečno rezanje lesa z ravnimi rezalnimi linijami, kot tudi pod kotom nagiba do 45°, medtem ko čvrsto počiva na obdelovancu.

MONTAŽA

1. NAMEŠČANJE/MENJAVA LISTA ŽAGE (GLEJTE SL. A1, A2, A3)

Pritisnite gumb za zaklepanje vretena in uporabite šestkotni ključ, da odvijete in odstranite vijak lista (11). Odstranite zunanjo prirobnico (10). Potisnite ročico ščitnika in spodnji ščitnik lista zavrtite v smeri urnega kazalca, da odstranite stari list (12). Namestite zamenjani list. Prepičajte se, da je izvirna lista nameščena na notranji prirobnici (a), puščica smeri na listu pa kaže v isto smer kot puščica fiksnega ščitnika. Zunanjo prirobnico in list rezila namestite na izvrtino lista. Ponovno pritisnite zaklep

vretena in s šestkotnim ključem zavijte vijak za 1/4 obrata več od privijanja s prsti. Preverite, ali je rezilo varno vpeto.

! **OPOZORILO: Zobje lista so zelo ostri.** Za najboljše rezultate rezanja poskrbite, da uporabljate list žage, ki je primeren za material in kakovost reza, ki jo potrebujete.

2. PRILAGODITEV GLOBINE REZA (GLEJTE SL. B)

Dvignite ročico za zaklepanje globine reza in dvignite telo žage stran od osnovne plošče. Z lestvico nastavite globino reza in potisnite ročico navzdol, dajo zaklenete. Globini reza vedno dodajte 3 mm, da lahko list reže skozi material.

3. NASTAVITEV KOTA OSNOVNE PLOŠČE (GLEJTE SL. C1, C2)

Obrnite zaklep nagiba osnovne plošče v nasprotni smeri urnega kazalca, da sprostite kotno lestvico. Osnovno ploščo nagnite stran od stroja, dokler na kotni lestvici ne nastavite zahtevanega kota rezanja. Zaklep nagiba zategnite tako, da ga obračate v smeri urnega kazalca.

Pri nagnjenih rezih ne uporabljajte lestvice globine reza zaradi morebitne netočnosti.

4. ODVOD ZA ODSTRANJEVANJE PRAHU (GLEJTE SL. D)

Adapter za sesalnik pritrдите na odvod za odstranjevanje prahu, dokler se ne zaskoči. Adapter za sesalnik z dvema vijakoma dodatno pritrдите na fiksni ščitnik. Na adapter neposredno priključite ustrezno sesalno cev.

Redno čistite adapter za sesalnik, da zagotovite optimalno odstranjevanje prahu. Sesalnik mora biti primeren za obdelovani material.

5. NASTAVITEV VZPOREDNEGA VODILA (GLEJTE SL. E)

Uporablja se za rezanje vzporedno z robom obdelovanca na izbrani razdalji. Roko vzporednega vodila potisnite skozi vpenjalo, da dosežete zahtevano razdaljo rezanja, nato pa zategnite gumb za zaklepanje. Uporablja se lahko z obeh strani osnovne plošče. Za ravne reze uporabite oznako 0° za poravnavo z vašo lestvico vzporednega vodila. Za rez z nagibom 45° uporabite oznako 45° za poravnavo z vašo lestvico vzporednega vodila.

Varno vpnite vzporedno vodilo.

OPOMBA: Najbolje je, da izvedete poskusno rezanje.

DELOVANJE

1. POLOŽAJ PRIJEMA (GLEJTE SL. F)

Žago med delom vedno čvrsto držite z obema rokama.

2. VARNOSTNO STIKALO ZA VKLOP/IZKLOP (GLEJTE SL. G)

Stikalo je zaklenjeno, da se prepreči nenamerni zagon. Pritisnite gumb za zaklepanje nato stikalo za vklop/izklop in spustite gumb za zaklepanje. Stikalo je zdaj vklopljeno. Za izklop preprosto spustite stikalo za vklop/izklop. Po izklopu se lahko list še naprej vrti. Počakajte, da se orodje popolnoma ustavi, preden ga odložite.

NAPOTKI ZA UPORABO ORODJA

Če se vaše orodje med delom segreje, ga približno 2-3 minute pustite delovati neobremenjenega, da se motor ohladi. Izgibajte se predolgemu delu z nizkimi hitrostmi. Rezila zaščitite pred trkom in šokom. Resanje z veliko sile lahko bistveno zmanjša sposobnost orodja in zmanjšuje življenjsko dobo rezila. Učinkovitost žaganja in kakovost rezanja sta odvisna od stanja in števila zob rezila. Zato uporabljajte le ostra rezila, ki so primerna za rezanje izbranega materiala.

Izbira rezil: Rezila z 24 zobmi za splošno delo, približno 40 zob za fine reze, več kot 40 zob za zelo fine reze v delikatne površine, diamanta za ploščice, cementne plošče, itd.

Uporabljajte samo priporočena rezila.

ORODJE SKRBNOSTI VZDRŽUJTE

Pred vsakim prilagajanjem, servisiranjem ali vzdrževanjem izvlecite vtičnik iz vtičnice.

Poskrbite, da bo orodje vedno čisto, in rezilo ostro.

Upoštevajte navodila za mazanje in zamenjavo delov dodatne opreme. Kable orodja občasno pregledajte, in če so poškodovani, naj jih popravi pooblaščen servis. Strojčka ne rabite dodatno mazati. Strojček tudi nima nobenih delov, ki bi jih morali servisirati. Za čiščenje strojčka nikoli ne uporabljajte vode ali kemičnih sredstev. Obrisite ga le s suho krpo. Strojček vedno shranjujte na suhem mestu. Poskrbite, da bodo prežračevalne odprtine čiste. Vsi elementi krmiljenja morajo biti čisti, brez prahu.

Če je napajalni kabel poškodovan, ga lahko zamenja le proizvajalec, njegov serviser ali podobno usposobljene osebe, sicer obstaja nevarnost poškodb.

Za zagotovitev pravilnega delovanja občasno očistite prah in ostanke materiala.

VAROVANJE OKOLJA



Odpadnih električnih naprav ne smete zavreči skupaj z ostalimi gospodinjstvi odpadki.

■ Dostavite jih na mesto za ločeno zbiranje odpadkov. Glede podrobnosti, se posvetujte z lokalno službo za ravnanje z odpadki.

IZJAVA O SKLADNOSTI

Mi,
POSITEC Germany GmbH
Postfach 32 02 16, 50796 Cologne, Germany

Izjavljamo, da je izdelek,
Opis izdelka **Krožna žaga**
Vrsta izdelka **DX59 (59- zasnova naprave, predstavnik žag)**
Namen uporabe **Resanje različnih materialov z vrtečim se zobatim rezilom**

Skladen z naslednjimi direktivami,
2006/42/EC, 2011/65/EU&(EU)2015/863
2014/30/EU

In izpolnjuje naslednje standarde
EN 62841-1, EN 62841-2-5,
EN 55014-1, EN 55014-2
EN IEC 61000-3-2, EN 61000-3-3

Oseba, ki je pooblaščen za skladnost tehnične dokumentacije,

Ime Marcel Filz
Naslov POSITEC Germany GmbH
Postfach 32 02 16, 50796 Cologne, Germany



2021/05/20
Allen Ding
Namestnik načelnika inženir, Testiranje in certificiranje
Positec Technology (China) Co., Ltd
18, Dongwang Road, Suzhou Industrial
Park, Jiangsu 215123, P. R. China

SL

ORJİNAL TALİMATLAR ÜRÜN GÜVENLİĞİ GENEL ELEKTRİKLİ ALET GÜVENLİK UYARILARI



UYARI! Bu elektrikli aletle birlikte verilen tüm güvenlik uyarılarını, talimatları, şekilleri ve özellikleri okuyun. Aşağıda belirtilen talimatlara uyulmaması durumunda, elektrik çarpması, yangın ve/veya ciddi yaralanma gibi riskler görülebilir.

İleride başvurmak üzere tüm uyarıları ve talimatları saklayın.

Uyarılarda bulunan "elektrikli alet" ifadesi ile elektrikli (kablolu) veya bataryalı (akülü) aletiniz kast edilmektedir.

1. ÇALIŞMA ALANI GÜVENLİĞİ

- Çalışma alanınızın temiz ve iyi aydınlatılmış olmasına dikkat edin.** Dağınık veya karanlık alanlar kazalara davetiye çıkarır.
- Elektrikli aletleri yanıcı sıvı, gaz veya toz gibi patlama riski olan maddelerin bulunduğu ortamlarda çalıştırmayın.** Elektrikli aletler, tozu veya dumanı tutuşturabilecek kıvılcımlar oluşturur.
- Elektrikli aleti kullanırken çocukları ve çevredeki kişileri uzak tutun.** Dikkatinizi dağıtabilecek unsurlar aletin kontrolünü kaybetmenize neden olabilir.

2. ELEKTRİKSEL GÜVENLİK

- Elektrikli aletin fişi prize uygun olmalıdır. Fiş üzerinde hiçbir şekilde değişiklik yapmayın. Topraklanmış elektrikli aletlerle herhangi bir adaptör fiş kullanmayın.** Üzerinde herhangi bir değişiklik yapılmamış fiş ve uyumlu priz kullanımı elektrik çarpması riskini azaltacaktır.
- Boru, radyatör, ocak ve buzdolabı gibi topraklanmış yüzeylerle temas etmemeye dikkat edin.** Vücudunuzun topraklanmış yüzeylerle temas etmesi, elektrik çarpması riskini artırır.
- Elektrikli aletleri yağmura veya ıslak koşullara maruz bırakmayın.** Elektrikli alete giren su, elektrik çarpması riskini artıracaktır.
- Elektrik kablosunu zorlamayın. Aleti kablosundan tutarak taşımayın, çekmeyin veya fişini prizden çıkarmayın.** Kabloyu ısı kaynaklarından, yağ gibi sıvılardan, keskin kenarlardan veya hareketli parçalardan uzak tutun. Hasar görmüş veya dolaşmış kablolar elektrik çarpması riskini artırır.
- Elektrikli bir aleti açık havada çalıştırırken, açık havada kullanıma uygun bir uzatma kablosu kullanın.** Açık havada kullanıma uygun bir uzatma kablosu kullanılması elektrik çarpması riskini azaltır.
- Elektrikli aleti nemli bir yerde çalıştırmak zorunda kalırsanız, kaçak akım rölesi (RCD) korumalı bir güç kaynağı kullanın.** Kaçak akım rölesinin kullanılması kullanılması elektrik çarpması riskini azaltır.

3. KİŞİSEL GÜVENLİK

- Bir elektrikli aleti kullanırken dikkatli olun, yaptığınız işe odaklanın ve mantık çerçevesinde hareket edin. Yorgunken veya uyuşturucu, alkol veya ilaç gibi maddelerin etkisi altındayken elektrikli alet kullanmayın.** Elektrikli aletleri kullanırken bir anlık dikkatsizlik ciddi yaralanmalara neden olabilir.
 - Kişisel koruyucu donanım kullan Daima koruyucu gözlük takın.** Belirli koşullarda kullanılan toz maskesi, kaymayan güvenlik ayakkabıları, baret veya kulak koruyucu gibi güvenlik ekipmanları kişisel yaralanmaları azaltacaktır.
 - Cihazın yanlışlıkla çalışmasını önleyin. Aleti güç kaynağına ve/veya batarya grubuna bağlamadan, elinize almadan veya taşımadan önce düğmesinin kapalı konumunda olduğundan emin olun.** Parmağınızı düğmenin üzerinden elektrikli aletlerin taşınması veya düğmenin açık olduğu elektrikli aletlerin çalıştırılması kazalara davetiye çıkarır.
 - Elektrikli aleti açmadan önce üzerine takılmış herhangi bir ayar anahtarı veya anahtar varsa çıkarın.** Elektrikli aletin dönen bir parçasına takılmış halde bırakılan bir anahtar yaralanmaya neden olabilir.
 - Elektrikli aleti aşırı şekilde uzanarak kullanmayın. Her zaman yere dengeli basın ve dengensiz koruyun.** Bu sayede beklenmedik koşullarda elektrikli aleti daha iyi şekilde kontrol edebilirsiniz.
 - Uygun kıyafetler giyin. Bol giysiler giymeyin ya da herhangi bir takı kullanmayın. Saçınızı ve giysilerinizi hareketli parçalardan uzakta tutun.** Bol ve sarkan kıyafetler, takılar veya uzun saç hareketli parçalar tarafından kapılabilir.
 - Toz ayırma ve toplama tesislerinin bağlantılarına yönelik cihazlar varsa, bunların bağlı olduğundan ve doğru şekilde kullanıldığından emin olun.** Tozun toplanması, tozun neden olabileceği tehlikeli durumları azaltabilir.
 - Aletlerin sık kullanımından dolayı aletleri iyice tanıyın olsanız da dikkatsiz davranmayın ve aletle ilgili güvenlik ilkelerini göz ardı etmeyin.** Dikkatsiz bir hareket, bir saniyeden daha kısa sürede ciddi yaralanmalara neden olabilir.
- ## 4. ELEKTRİKLİ ALETİN KULLANIMI VE BAKIMI
- Elektrikli aleti zorlamayın. Uygulamanız için doğru elektrikli aleti kullanın.** Doğru elektrikli alet, kullanım amacına uygun şekilde kullanıldığı oranda iş daha iyi ve daha güvenli şekilde gerçekleştirilebilecektir.
 - Açma kapama düğmesi aracılığıyla açılıp kapatılmayan bir elektrikli aleti kullanmayın.** Düğme ile kontrol edilemeyen herhangi bir elektrikli alet tehlikelidir ve onarılmaya gerektirir.
 - Herhangi bir ayar yapmadan, aksesuarları değiştirmeden veya elektrikli aletleri yerine kaldırmadan önce fişi güç kaynağından ayırın ve/veya çıkarılabiliyorsa batarya grubunu elektrikli aletten çıkarın.** Bu tür önleyici güvenlik önlemleri, elektrikli aletin yanlışlıkla çalıştırılma riskini azaltır.

- d) Kullanılmayan elektrikli aletleri çocukların erişemeyeceği yerlerde saklayın ve elektrikli aleti tanımayan veya kullanımı ile ilgili talimatları bilmeyen kişilerin elektrikli aleti kullanmasına izin vermeyin. Elektrikli aletler, bu aletler ile ilgili herhangi bir eğitimi olmayan kullanıcıların elinde tehlikeli olabilir.
- e) Elektrikli aletlerin ve aksesuarların bakımını yapın. Hareketli parçaların ayar ve bağlantılarının doğru şekilde yapıp yapılmadığını, kırık parçalarının olup olmadığını ve elektrikli aletlerin çalışmasını etkileyebilecek diğer tüm durumları kontrol edin. Hasar görmüş olması durumunda, kullanmadan önce elektrikli aletin onarımını yaptırın. Çoğu kaza, bakımı düzgün yapılmamış elektrikli aletlerden kaynaklanır.
- f) Kesici aletleri keskin ve temiz tutun. Bakımı uygun şekilde yapılmış keskin kenarlara sahip kesici aletlerinin tutukluk yapma olasılığı daha düşüktür ve kontrolü daha kolaydır.
- g) Elektrikli aletleri, aksesuarları ve alet uçlarını, vb., çalışma koşullarını ve yapılacak işlemleri göz önünde bulundurarak ilgili talimatlara uygun şekilde kullanın. Elektrikli aletin tasarımı amacından farklı işlemler için kullanılması tehlikeli sonuçlara yol açabilir.
- h) Tutamakların ve kavrama yüzeylerinin kuru, temiz ve yağ ve gresten arındırılmış olmasına dikkat edin. Kaygan tutamaklar ve kavrama yüzeyleri, beklenmedik durumlarda aletin güvenli bir şekilde kullanılmasına ve kontrolüne izin vermez.

5. SERVİS

- a) Elektrikli aletinizin bakım ve onarım işlemlerinin yetkili bir tamirci tarafından yalnızca aynı parçalar kullanılarak gerçekleştirilmesini sağlayın. Bu sayede elektrikli aletin güvenliği sağlanmış olacaktır.

TÜM TESTERE KESİM İŞLEMLERİ İÇİN

GÜVENLİK UYARILARI

- a)  **TEHLİKE:** Ellerinizi bıçaktan ve kesim alanından uzak tutun. Bir elinizi yardımcı tutamak veya motor gövdesi üzerine yerleştirin. İki elinizle birden testereyi tutarsanız bıçak ellerinizi kesemez.
- b) İş parçasının altına elinizi uzatmayın. Muhafaza sizi iş parçasının altındayken bıçaktan koruyamaz.
- c) Kesme derinliğini iş parçasının kalınlığına göre ayarlayın. İş parçasının altından bıçağın bir taraftan daha az bir kısmı görünmelidir.
- d) Kesim sırasında iş parçasını kesinlikle ellerinizde veya bacaklarınızın arasında tutmayın. İş parçasını sabit bir platforma sabitleyin. Vücudunuza gelmesini, bıçak sıkışmasını veya kontrol kaybını en aza indirmek için çalıştığınız parçayı düzgünce desteklemeniz gerekir.
- e) Kesme aletinin gizli kablolarına ya da kendi kablosuna temas edebileceği yerlerde

çalışma yaparken elektrikli aleti yalıtımlı kavrama yüzeylerinden tutun. "Akımlı" bir kabloyla meydana gelen temas, elektrikli aletin açıkta kalan metal parçalarının "akım geçirmesine" neden olabilir ve kullanıcıyı elektrik çarptırabilir.

- f) Yarma işlemi sırasında mutlaka bir yarma çiti veya düz kenar kılavuzu kullanın. Bu, kesimin doğruluğunu artırırken bıçak sıkışma riskini azaltır.
- g) Her zaman mil deliklerine uygun boyutta ve biçimde (elmas veya yuvarlak) bıçaklar kullanın. Testerenin montaj donanımına uymayan bıçaklar, merkezden kaçır ve kontrol kaybına neden olur.
- h) Kesinlikle hasarlı veya yanlış bıçak pulları veya civata kullanmayın. Bıçak pulları ve civata en üst düzey performans ve çalışma güvenliği sağlamak amacıyla testereniz için özel olarak tasarlanmıştır.

TÜM TESTERELER İÇİN EK GÜVENLİK UYARILARI

GERİ TEPME NEDENLERİ VE İLGİLİ UYARILAR

- Geri tepme sıkışmış, takılmış veya kötü ayarlanmış bir testere bıçağının ani tepkisidir ve kontrol edilemeyen testerenin kalkmasına, iş parçasından kurtulmasına ve kullanıcıya yönelmesine neden olur;
- Bıçak kesilen yere sıkışır veya takılırsa, bıçak durur ve motorun tepkisi üniteyi aniden kullanıcıya doğru iter;
- Kesim işlemi sırasında bıçak bükülürse veya ayarı bozulursa bıçağın arka kenarındaki dişler ahşabın üst yüzeyine gömülür ve bıçağın kesik yerden dışarı çıkmasına ve kullanıcıya doğru sıçramasına neden olur.

Geri tepme, testerenin yanlış kullanımının ve/veya yanlış çalışma prosedürlerinin veya koşullarının bir sonucudur ve aşağıda belirtilen önlemler alınarak önlenebilir.

- a) Testereyi sıkı biçimde tutun, kollarınızı geri tepme kuvvetine direnebilecek bir konuma getirin. Gövdedenizi bıçağın herhangi bir yanında tutun ama bıçak ile aynı hizada durmayın. Geri tepme testerenin arkaya doğru sıçramasına neden olur, ama gerekli önlemler alınırsa geri tepme kuvveti kullanıcı tarafından kontrol edilebilir.
- b) Bıçak sıkışmışsa veya kesme işlemine herhangi bir nedenden dolayı ara verecekseniz düğmeyi serbest bırakın ve bıçak tamamen durana kadar testereyi malzeme içinde hareket ettirmeden tutun. Bıçak hareket halindeyken testereyi kesinlikle kesme noktasından çıkarmayı veya geri çekmeyi denemeyin, aksi takdirde geri tepme meydana gelebilir. Bıçağın sıkışma nedeni ortadan kaldırmak için gereken önlemleri alın.
- c) Testereyi iş parçası içinde yeniden çalıştırdığınızda testere bıçağını kesilen yer içinde ortalayın, böylece testere dişleri malzemeye geçmez. Testere bıçağı takılmışsa testere yeniden çalıştırıldığında yukarı doğru hareket edebilir veya iş parçasından geri tepebilir.
- d) Büyük panelleri desteklemeniz, bıçağın sıkışma ve geri tepme ihtimalini minimum

seviyeye indirir. **Büyük paneller kendi ağırlıklarıyla bükülebilir.** Panelin altına her iki taraftan, kesme hattının yanına ve panelin kenarının yakınına destekler yerleştirilmelidir.

- e) **Kör veya hasarlı bıçakları kullanmayın.** Keskin olmayan veya yanlış ayarlanan bıçaklar dar kesik oluşturur, bu da fazla sürtünmeye, bıçak sıkışmasına ve geri tepmeye neden olur.
- f) **Bıçak derinliği ve gönye ayarlamaya kilit kolları sıkı olmalı ve kesim işlemine başlamadan önce sabitlenmelidir.** Kesim işlemi sırasında bıçak ayarlarının bozulması, sıkışmaya ve geri tepmeye neden olabilir.
- g) **Mevcut duvarlarda veya kör alanlarda testere ile kesim işlemi yaparken çok dikkat edin.** Çıkıntılı bıçak, geri tepmeye neden olabilecekle nesnelere kesebilir.

İÇ SARKAÇ KAPAKLI DAİRE TESTEREYE YÖNELİK GÜVENLİK UYARILARI

ALT KAPAĞIN İŞLEVİ

- a) Her kullanımdan önce alt kapağın uygun şekilde kapanıp kapanmadığını kontrol edin. Alt kapak serbestçe hareket etmiyorsa ve hemen kapanmıyorsa testereyi çalıştırmayın. Alt kapağı kesinlikle açık pozisyonda sabitlemeyin ve bağlamayın. Testere yanlışlıkla düşürülürse alt kapak bükülebilir. Geri çekme koluyla alt kapağı kaldırın; her açıda ve her kesme derinliğinde serbestçe hareket edip etmediğini, bıçağa ve diğer parçalara temas edip etmediğini kontrol edin.
- b) **Alt kapak yayının nasıl çalıştığını kontrol edin. Kapak ve yay düzgün çalışmıyorsa kullanmadan önce bakım yapılmalıdır.** Alt kapak hasarlı parçalar, yapışkan birikintiler veya artıklar nedeniyle yavaş çalışabilir.
- c) **Alt kapak sadece "daldırmalı kesimler" ve "bileşik kesimler" gibi özel kesim işlemlerinde elle geri çekilebilir. Alt kapağı geri çekme kolundan çekerek kaldırın ve bıçak malzemeye girer girmez alt kapağı serbest bırakın. Diğer tüm testereleme işlemlerinde alt kapak, otomatik olarak çalışmalıdır.**
- d) **Testereyi tezgaha veya zemine yerleştirmeden önce mutlaka alt kapağın bıçağı örttüğünden emin olun. Korumasız, desteksiz bir bıçak testerenin geriye doğru hareket etmesine ve yoluna çıkan her şeyi kesmesine neden olur. Düşme serbest bırakıldıktan sonra bıçağın durmasını ne kadar zaman aldığına dikkat edin.**

sadece üretici tarafından önerilen ve EN 847-1 standardına uygun testere bıçaklarını kullanın.

2. Taşlama diskleri kullanmayın.
3. Sadece işaretlere uygun bıçak çaplarını kullanın.
4. Kesilecek malzeme için kullanılacak uygun testere bıçağını belirleyin.
5. Yalnızca alet üzerinde işaretli hızla eşit veya daha yüksek hızla sahip testere bıçaklarını kullanın.

SEMBOLLER



Yaralanma riskini azaltmak için kullanıcı makineyi çalıştırmadan önce kullanım kılavuzunu okumalıdır



Uyarı



Göz koruması takın



Kulak koruması kullanın



Toz maskesi takın



Koruyucu eldiven kullanın



Çift yalıtım



Atık elektrikli ürünler, ev atıkları ile birlikte atılmamalıdır. Lütfen bu konuyla ilgili tesislerin bulunduğu yerlerde geri dönüşümünü sağlayın. Geri dönüşüme ilişkin tavsiyeler için, bulunduğunuz bölgedeki yerel makamlara veya bayiye danışın.



Kilitleme



Kilit Açma

DAİRE TESTERENİZE YÖNELİK EK GÜVENLİK UYARILARI

1. Ahşap ve benzeri malzemeler için tasarlandıysa,

PARA LİSTESİ

1. ÖN TUTAMAK
2. MOTOR GÖVDESİ
3. TABAN PLAKASI AÇI ÖLÇEĞİ
4. TABAN PLAKASI GÖNYE KİLİDİ
5. PARALEL KILAVUZ
6. PARALEL KILAVUZ KİLİT DÜĞMESİ
7. KESİM KILAVUZ ÇENTİĞİ
8. ALT BIÇAK KAPAĞI
9. TABAN PLAKASI
10. DIŞ FLANŞ
11. BIÇAK CIVATASI
12. TESTERE BIÇAĞI
13. ALT KAPAK KOLU
14. VAKUM ADAPTÖRÜ
15. SABİT KAPAK
16. AÇMA/KAPAMA DÜĞMESİ
17. KİLİT AÇMA TUŞU
18. KESİK DERİNLİĞİ AYAR KOLU
19. ALYAN ANAHTAR
20. MİL KİLİDİ DÜĞMESİ

Gösterilen veya açıklanan tüm aksesuarlar standart teslimata dahil değildir.

TR

TEKNİK VERİLER

Tip DX59 (59-makinenin tanımı, daire testere örneği)

Nominal gerilim	220-240V~50/60Hz	
Nominal güç	1400W	
Yüksüz hız	5800/min	
Koruma sınıfı	□/II	
Biçak boyutu	185mm	
Biçak çapı	16mm	
Kesim Kapasitesi		
	90°	65mm
	45°	45mm
Gönye açısı		0-45°
Makine ağırlığı		4.06kg

GÜRÜLTÜ BİLGİSİ

Ağırlıklı ses basıncı	L_{pA} : 89.9 dB (A)
Ağırlıklı ses gücü	L_{wA} : 100.9 dB (A)
K_{pA} & K_{wA}	3.0 dB (A)
Kulak koruması kullanın.	

TİTREŞİM BİLGİSİ

EN 62841'e göre belirlenen titreşim toplam değerleri (triaks vektör toplamı):	
Titreşim emisyon değeri	Ahşap kesme: $a_{h,W} = 1.62 \text{ m/s}^2$ (Ana tutamak)
	Ahşap kesme: $a_{h,W} = 3.32 \text{ m/s}^2$ (Yardımcı tutamak)
	Belirsizlik $K = 1.5 \text{ m/s}^2$

Beyan edilen titreşim toplam değeri ve beyan edilen gürültü emisyon değeri, standart bir test yöntemine göre ölçülmüştür ve bir aleti diğeriyle karşılaştırmak için kullanılabilir. Beyan edilen titreşim toplam değeri ve beyan edilen gürültü emisyon değeri, ilk maruz kalma değerlendirmesinde de kullanılabilir.

UYARI: Elektrikli aletin fiili kullanımı sırasındaki titreşim ve gürültü emisyonları, aşağıdaki örneklerle göre işlenen iş parçası tipi başta olmak üzere aletin kullanım şekillerine ve aletin farklı koşullarda nasıl kullanıldığına bağlı olarak farklılık gösterebilir:

Aletin kullanıma şekli ile kesilen veya delinen malzemeler.

Aletin iyi durumda olması ve alete iyi bakım yapılması.

Alet için doğru aksesuarın kullanılması, aksesuarın keskin ve iyi durumda olduğundan emin olunması.

Tutamakların kavrama sıklığı ve varsa titreşim ve gürültü önleyici aksesuarların kullanımı.

Aletin amacına ve bu talimatlara uygun olarak kullanılması.

Bu alet, kullanımı ustaca yönetilmezse el-kol titreşim sendromuna neden olabilir.

UYARI: Doğru olması için gerçek kullanım koşullarındaki maruziyet seviyesi tahmini, aletin kapatıldığı ve çalışırken iş yapmayı boşta çalıştığı zamanlar gibi çalışma döngüsünün tüm bölümlerini de hesaba katmalıdır.

Bu, toplam çalışma süresi boyunca maruz kalma seviyesini önemli ölçüde azaltabilir.

Titreşim ve gürültüye maruz kalma riskinizi en aza indirmeye yardımcı olur.

Daima keskin kesimler, matkaplar ve bıçaklar kullanın.

Bu aletin bakımını bu talimatlara uygun olarak yapın ve aleti güzelce yağlayın (uygun durumlarda).

Alet düzenli olarak kullanılacaksa, titreşim ve gürültü önleyici aksesuarlara yatırım yapın.

Çalışma programınızı, yüksek titreşimli alet kullanımını birkaç güne yayacak şekilde planlayın.

AKSESUARLAR

Vakum adaptörü	1
Alyan anahtar	1
Paralel kılavuz	1
Bıçak	1

Aksesuarlarınızı aleti satın aldığınız mağazadan almanızı tavsiye ederiz. Daha fazla bilgi için aksesuar ambalajına bakın. Mağaza personeli size yardımcı olabilir ve tavsiye verebilir.

KULLANMA TALİMATLARI



NOT: Aleti kullanmadan önce, kullanım kılavuzunu dikkatli bir şekilde okuyun.

KULLANIM AMACI

İş parçası üzerinde sıkıca duran makine, düz ve 45°'ye kadar açılı bir şekilde ahşabın uzunlamasına ve çapraz kesilmesi için tasarlanmıştır.

MONTAJ

1. TESTERE BIÇAĞINI TAKMA/DEĞİŞTİRME (BKZ. ŞEK. A1, A2, A3)

Mil kilitleme düğmesine basın ve alyan anahtar kullanarak bıçak civatasını (11) gevşetip çıkarın. Dış flanş (10) sökün. Eski bıçağı (12) çıkarmak için kapak kolunu iterek alt bıçak kapağını saat yönünde döndürün. Yeni bir bıçak takın. Bıçak deliğinin iç flanş (a) üzerinde yer aldığından ve bıçak yön okunun sabit kapak okuyla aynı yönü gösterdiğinden emin olun. Dış flanş ve bıçak civatasını, bıçak deliğinin üzerine yerleştirin. Mil kilidine tekrar basın ve alyan anahtar kullanarak civatayı elle uyguladığınız

kuvvetten biraz daha sıkı bir şekilde 1/4 tur daha sıkın. Bıçağın sağlam bir şekilde sabitlendiğinden emin olun.

UYARI: Bıçak dişleri çok keskindir. Kesme işleminden en iyi sonuçları almak için ihtiyacınız olan malzemeye ve kesim kalitesine uygun bir bıçak kullandığınızdan emin olun.

2. KESİK DERİNLİK AYARI (BKZ. ŞEK. B)

Kesik derinliği kilit kolunu kaldırın ve testere gövdesini taban plakasından kaldırın. Ölçekle kesik derinliğini ayarlayın ve kilitlemek için kolu aşağı itin. Bıçağın malzemeyi kesebilmesi için kesim derinliğine her zaman 3 mm ekleyin.

3. TABAN PLAKASI AÇI AYARI (BKZ. ŞEK. C1, C2)

Açı ölçeğini gevşetmek için taban plakası gönye kilidini saat yönünün tersine çevirin. Açılı ölçeğinde gerekli kesim açısı ayarlanana kadar taban plakasını makineden uzağa doğru yatırın. Gönye kilidini saat yönünde çevirerek sıkın. Olası yanlışlıklardan dolayı gönyeli kesimler yaparken kesim derinliği ölçeğini kullanmayın.

4. TOZ EMME ÇIKIŞI (BKZ. ŞEK. D)

Vakum adaptörünü, kilitlemeye kadar çevirerek toz emme çıkışına sabitleyin. Ayrıca vakum adaptörünü iki vida ile sabit kapağa takın. Adaptöre doğrudan uygun bir vakum hortumu bağlayın.

Toz çıkışının en üst düzeyde olmasını sağlamak için vakum adaptörünü düzenli olarak temizleyin. Elektrik süpürgesi, çalışılacak malzemeye uygun olmalıdır.

5. PARALEL KILAVUZ AYARI (BKZ. ŞEK. E)

Seçilen mesafede çalışılan parçanın kenarına paralel kesimler yapmak için kullanılır. Paralel kılavuz kolunu gerekli kesim mesafesini elde edene kadar bağlantı parçası boyunca kaydırın, ardından kilit düğmesini sıkarak sabitleyin. Taban plakasının her iki yanından kullanılabilir. Düz kesimler için, 0° kılavuz işaretini kullanarak paralel kılavuz ölçeğinizle hizalama yapın. 45° gönyeli kesimler için, 45° kılavuz işaretini kullanarak paralel kılavuz ölçeğinizle hizalama yapın. Paralel kılavuzu güvenli bir şekilde sabitleyin.

NOT: Bir deneme kesimi yapılmalıdır.

ÇALIŞMA

1. KAVRAMA KONUMU (BKZ. ŞEK. F)

Testerenizi çalıştırırken her zaman iki elinizle sıkıca tutun.

2. GÜVENLİK AÇMA/KAPAMA DÜĞMESİ (BKZ. ŞEK. G)

Yanlışlıkla başlatmayı önlemek için düğmenizi kilitleyin. Kilitleme düğmesine, ardından açma/kapama düğmesine basın ve kilitleme düğmesini bırakın. Düğmeniz artık açık konumdadır. Kapatmak için açma/kapama düğmesini serbest bırakmanız yeterlidir. Bıçak, makine kapatıldıktan sonra dönmeye devam edebilir. Yerleştirmeden önce makinenin tamamen durmasını bekleyin.

DAİRE TESTERENİZİN ÇALIŞMASIYLA İLGİLİ İPUÇLARI

Elektrikli aletiniz çok ısınır, motoru soğutmak için daire testerenizi 2-3 dakika yüksüz çalıştırın. Çok düşük hızlarda uzun süre kullanmayın. Daima kesilecek malzemeye ve malzeme kalınlığına uygun bir bıçak kullanın. Bıçak diş sayısı arttıkça kesim kalitesi de artar. Hareket etmesini önlemek için çalıştığınız parçanın her zaman sıkıca tutulduğundan veya sabitlendiğinden emin olun. Kesim hattına yakın büyük panelleri destekleyin. Malzemenin herhangi bir hareketi, kesik kalitesini etkileyebilir. Bıçak, yukarı doğru hareketle keser ve iş parçasının en üst yüzeyini veya kenarlarını kırabilir. Kesme işlemi sırasında işiniz bittiğinde en üst yüzey, görünmeyen yüzey olmalıdır. Çok hızlı besleme yapmanız, makinenin performansını önemli ölçüde azaltır ve testere bıçağının ömrünü kısaltır. Minimum kıymık oluşmasını sağlamak için her zaman iş parçasının sorunsuz tarafını aşağıya çevirin. Yalnızca doğru tipte ve keskin testere bıçakları kullanın.

BAKIM

Herhangi bir ayar, servis veya bakım işlemi yapmadan önce fişi prizden çekin.

Elektrikli aletiniz ek yağlama veya bakım gerektirmez. Elektrikli aletinizde kullanıcı tarafından bakımı yapılabilecek hiçbir parça yoktur. Elektrikli aletinizi temizlemek için kesinlikle su veya kimyasal temizleyiciler kullanmayın. Kuru bir bezle iyice silin. Elektrikli aletinizi her zaman kuru bir yerde saklayın. Motor havalandırma deliklerini temiz tutun. Tüm çalışma kontrollerini tozdan uzak tutun. Bazen havalandırma deliklerinden kırılcımlar görebilirsiniz. Bu normal bir durumdur ve elektrikli aletinize zarar vermez.

Elektrik kablosu hasar görmüşse, tehlikeyi önlemek için kablunun imalatçı, servis acentesi veya benzeri nitelikte kişiler tarafından değiştirilmesi gerekir.

ÇEVRENİN KORUNMASI



Atık elektrikli ürünler, ev atıkları ile birlikte atılmamalıdır. Lütfen bu konuyla ilgili tesislerin bulunduğu yerlerde geri dönüşümünü sağlayın. Geri dönüşüme ilişkin tavsiyeler için, bulunduğunuz bölgedeki Yerel Makama veya bayiye danışın.

UYGUNLUK BEYANI

Biz,
POSITEC Germany GmbH
Postfach 32 02 16, 50796 Cologne, Germany

Olduğunu beyan ederiz,
Ürünün tarifi **yuvarlak testere**
Tipi **DX59 (59-makinenin tanımı, daire testere örneği)**
Fonksiyonu **Dönen dişli bıçakla çeşitli malzemeleri kesme**

Direktiflerine uygun olduğunu beyan ederiz,
2006/42/EC, 2014/30/EU,
2011/65/EU&(EU)2015/863

Standartlar:
EN 62841-1
EN 62841-2-5
EN 55014-1
EN 55014-2
EN IEC 61000-3-2
EN 61000-3-3

Teknik dosyayı derleyen yetkili kişinin,
Adı: Marcel Filz
Adresi: POSITEC Germany GmbH
Postfach 32 02 16, 50796 Cologne, Germany



2021/05/20

Allen Ding
Baş Mühendis Yardımcısı, Test ve Sertifikasyon Positec
Technology (China) Co., Ltd 18, Dongwang Road,
Suzhou Industrial Park, Jiangsu 215123, P. R. China

بيان المطابقة

نقر نحن،
Positec Germany GmbH كة
ويقع مقرنا Postfach 32 02 16, 50796 Cologne , ألمانيا

أن المنتج
الوصف: المنشمار الدائري
تعريف: طراز -DX59(59)تحديد الآلات ، ممثل منشار
دائري)
الوظيفة: قطع مواد المختلفة بشفرة مسننة دوارة

يتوافق مع التوجيهات التالية

2006/42/EC, 2014/30/EU, 2011/65/EU&(EU)2015/863

المعايير تتوافق مع

EN 62841-1
EN 62841-2-5
EN 55014-1
EN 55014-2
EN 61000-3-2
EN 61000-3-3

الشخص المخول بتجميع الملف الفني،

الاسم: مارسيل فيلز

العنوان: كة Positec Germany GmbH
ويقع مقرنا Postfach 32 02 16, 50796 Cologne , ألمانيا

2021/05/20

ألين دينج

نائب كبير المهندسين، الاختبار والاعتماد

Positec Technology (China) Co., Ltd
Dongwang Road, Suzhou Industrial ,18

.Park, Jiangsu 215123, P. R
الصين

تعليمات التشغيل

ملاحظة: اقرأ كتيب التعليمات بعناية قبل استخدام الأداة.

التشغيل

1. وضع قبضة اليد (انظر الشكل . F)
احرص على إمساك المنشار بإحكام بكتنا يديك عند التشغيل.

2. مفتاح تشغيل / إيقاف الأمان (انظر الشكل . G)

تم قفل المفتاح الخاص بك لمنع بدء التشغيل المفاجيء اضغط على زر إيقاف التشغيل ثم مفتاح التشغيل / الإيقاف ثم حرر زر إيقاف التشغيل. المفتاح قيد التشغيل الآن. لإيقاف التشغيل ، قم بتحرير مفتاح التشغيل / الإيقاف. قد تستمر الشفرة في الدوران بعد إيقاف التشغيل. انتظر حتى تتوقف الآلة عن الدوران بالكامل قبل وضعها .

بعض إرشادات العمل الخاصة بالمنشار الدائري

إذا أصبحت أداة الطاقة ساخنة جدا ، قم بتشغيل المنشار الدائري بدون تحميل لمدة 2-3 دقائق لتبريد المحرك تجنب استخدام المطول بسرعات منخفضة للغاية.

استخدم دائما شفرة مناسبة لسمك المادة والمهدف قطعها. لتحسن جودة القطع مع زيادة عدد أسنان الشفرة.

تأكد دائما من تثبيت قطعة العمل أو إكحامها لمنع الحركة. قم بتحميل الألواح الكبيرة القريبة من خط القطع أي تحريك للمادة قد يؤثر على جودة القطع تقوم الشفرة بقطع الحد العلوي وقد تقطع السطح العلوي أو حواف قطعة العمل . أثناء القطع ، تأكد من أن السطح العلوي هو سطح غير مرني عند الانتهاء من العمل . التغذية بسرعة كبيرة تقلل بشكل كبير من أداء الماكينة و تقوم بتقصير عمر شفرة المنشار وجه دائما الجانب الجيد من قطعة العمل لأسفل ، لضمان الحد الأدنى من الانشقاق أو الشظية . استخدم فقط شفرات المنشار الحادة من النوع الصحيح.

الحماية البيئية

يجب عدم التخلص من نفايات المنتجات الكهربائية مع النفايات المنزلية. يُرجى إعادة التدوير في الأماكن المخصصة لإعادة التدوير. ارجع إلى السلطات المحلية أو بائع التجزئة للحصول على نصائح بخصوص إعادة التدوير.



الغرض من الاستخدام

الماكينة معدة للقطع الطولي والعرضي للخشب بخطوط قطع مستقيمة بالإضافة إلى زوايا مائلة حتى 45 درجة مع الاستناد بقوة على قطعة العمل.

التركيب

1. تركيب/تشغيل شفرة المنشار (انظر الشكل . A1, A2, A3)

اضغط على زر قفل الدوران واستخدم المفتاح السداسي لفك وإزالة برغي الشفرة (11) قم بإزالة الشفة خارجية (10) قم بلف واقي الشفرة السفلي في اتجاه عقارب الساعة عن طريق دفع ذراع الحماية لإخراج الشفرة القديمة (12). قم بوضع الشفرة المستبدلة. تأكد من أن تجويف الشفرة موجود على الشفة الداخلية (A) وأن سهم اتجاه الشفرة يشير الى نفس اتجاه سهم الواقي الثابت. قم بوضع الشفة الخارجية ، وبراغي الشفرة على تجويف الشفرة. اضغط على قفل الدوران مرة أخرى واستخدم المفتاح السداسي لربط البرغي بربع لفة أكثر من إحكام الإصبع. تحقق مما إذا كانت الشفرة مثبتة بإحكام.

تحذير: ! أسنان الشفرة حادة جدا. للحصول على أفضل نتائج للقطع ، تأكد من استخدام شفرة منشار مناسبة للمواد وتأكد من جودة القطع التي تحتاجها.

2. تعديل عمق القطع (انظر الشكل . B)

قم برفع المقابض الخاص بذراع قفل القطع وارفع جسم المنشار بعيداً عن لوحة القاعدة اضبط عمق القطع بالمقياس وادفع الذراع لأسفل للقل. أضف دائما 3 م إلى عمق القطع حتى تتمكن الشفرة من قطع المواد.

3. ضبط زاوية لوح القاعدة (انظر الشكل . C1, C2)

أدر قفل الحافة المشطوفة للوحة القاعدة في اتجاه عكس اتجاه عقارب الساعة لإرخاء مقياس الزاوية. قم بإمالة اللوحة الأساسية بعيداً عن الماكينة حتى يتم ضبط زاوية القطع المطلوبة على مقياس الزاوية. قم بربط القفل المخروطي بإدراجه في اتجاه عقارب الساعة. لا تستخدم عمق مقياس القطع عند عمل قطع مائل نظرا للثقة الممكنة

4. مخرج الغبار (انظر الشكل . D)

قم بربط محول التفريغ بمخرج شفت الغبار حتى يعلق أيضا ، قم بربط محول التفريغ عن طريق الواقي الثابت باستخدام المسامير وصل خرطوم تفريغ مناسب عن طريق المحول مباشرة نظف محول التفريغ بانتظام لضمان أفضل إستخراج للغبار. يجب أن يكون المنظف مناسب للمواد المراد تشغيلها.


5. ضبط أداة التوجيه الموازية (انظر الشكل . E)

يستخدم لعمل قطع موازية لحافة قطعة العمل على مسافة محددة قم بتحريك ذراع التوجيه الموازي خلال التركيب لتحقيق مسافة القطع المطلوبة ثم شد مقبض القفل للتثبيت.

يستخدم من على جانبي لوح القاعدة للقطع المستقيم ، استخدم العلامة 0 ° حتى تتماشى مع أداة التوجيه الموازية للقطع المائل بزاوية 45 ، استخدم العلامة 45 ° لتتماشى مع أداة التوجيه الموازية للقطع الموازي بإحكام.

ملحوظة: من الأفضل إجراء عملية قطع تجريبية .

معلومات الضوضاء

L_{pA} : 89.9 dB (A)	ضغط الصوت المرجح
L_{wA} : 100.9 dB (A)	قوة الصوت المرجحة
3.0 dB (A)	K_{pA} & K_{wA}
 ارتداء واقي حماية الأذن.	

معلومات الاهتزاز

تم تحديد القيم الإجمالية للاهتزاز (الجمع المتجهي ثلاثي المحاور) وفقاً للمعيار EN 62841:	
قطع الأخشاب: $a_{h,W} = 1.62 \text{ m/s}^2$ (المقيض الرئيسي) قطع الأخشاب: $a_{h,W} = 3.32 \text{ m/s}^2$ (المقيض المساعد)	قيمة انبعاثات الاهتزازات
عامل اللايفين $K = 1.5 \text{ m/s}^2$	

تم قياس القيمة الإجمالية المعلنه للاهتزاز وقيمة انبعاث الضوضاء المعلنه وفقاً لطريقة اختبار قياسية ويمكن استخدامها لمقارنة أداة بأخرى يمكن أيضا استخدام القيمة الإجمالية المعلنه للاهتزاز وقيمة انبعاث الضوضاء المعلنه في إجراء تقييم أولي للتعرض.

تحذير: يمكن أن تختلف انبعاثات الاهتزاز والضوضاء أثناء الاستخدام الفعلي لأداة الطاقة عن القيمة المعلنه اعتماداً على طرق استخدام الأداة، ولا سيما ما يتعلق بنوع العنصر الذي يجري معالجته وفقاً للنماذج التالية والمتغيرات الأخرى المتعلقة بكيفية استخدام الأداة:



طريقة استخدام الأداة والمواد التي يتم قطعها أو ثقبها.
كون الأداة في حالة جيدة ويتم صيانتها جيداً.
استخدام الملحوظ المناسب للأداة والتأكد من أنه حاداً وفي حالة جيدة.
إحكام الإمساك بالمقايض وإذا ما تم استخدام أي ملحقات مضادة للاهتزاز والضوضاء.
استخدام الأداة في الغرض المقصود وفقاً لتصميمها وهذه التعليمات.

يمكن أن يتسبب استخدام هذه الأداة في الإصابة بمتلازمة اهتزاز اليد والذراع إذا لم يتم إدارة استخدامها بشكل مناسب.

تحذير: كي يتسنى الحفاظ على الدقة ينبغي أن يراعى تقدير مستوى التعرض في ظروف الاستخدام الفعلية لجميع أجزاء دورة التشغيل مثل الأوقات التي يتم فيها إيقاف تشغيل الأداة وعندما يتم تشغيلها عند سرعة التباطؤ مع عدم قيامها بأي مهمة بالفعل، إذ يمكن أن يؤدي هذا إلى تقليل مستوى التعرض بشكل كبير خلال فترة العمل بالكامل.



مما يساعد في تقليل مخاطر التعرض للاهتزاز والضوضاء.
استخدم دوماً ازاميل ومثاقب وشفرات حادة.
ينبغي صيانة هذه الأداة وفقاً لهذه التعليمات، مع ضرورة تزيينها جيداً (حيثما يكون ملائماً).
وفي حالة استخدام الأداة بانتظام، فينبغي حينئذ شراء ملحقات مقاومة للاهتزاز والضوضاء.
ينبغي عليك تنظيم جدول عملك بحيث يتم توزيع استخدام أي أداة عالية الاهتزاز على مدار عدد من الأيام.

الملحقات

1	محول التفرغ
1	مفتاح سداسي
1	أداة توجيه موازية
1	شفرة المشطار

نوصي بشراء الملحقات من المتاجر التي تباع الأدوات، لمزيد من التفاصيل، يرجى الرجوع إلى حزمة الملحقات. يمكن لموظفي المتجر المساعدة وتقديم المشورة.

قائمة المكونات

1. المقبض الأمامي
2. غطاء المحرك
3. مقياس زاوية اللوحة الأساسية
4. قفل الحافة المشطوفة للوحة الأساسية
5. أداة توجيه موازية
6. مقبض قفل أداة التوجيه الموازية
7. سن موجة القطع
8. واقي الشفرة السفلية
9. لوح القاعدة
10. شفة خارجية
11. ترميز الشفرة
12. شفرة المنشار
13. رافعة الواقي السفلي
14. محول التفريغ
15. واقي ثابت
16. مفتاح تشغيل / إيقاف الأمان
17. زر الإغلاق
18. عمق رافعة تعديل القطع
19. مفتاح سداسي
20. زر قفل الدوران

ليست جميع الملحقات الموضحة أو الموصوفة مدرجة في التسليم القياسي.

معلومات تقنية

طرز -DX59(59)حديد الآلات ، ممثل منشأ دانري)

220-240V~50/60Hz	الجهد الكهربائي المقدر
1400W	الطاقة المقدر
5800/min	السرعة بدون حمل
□/	درجة الحماية
185mm	حجم الشفرة
16mm	تجويف الشفرة
	قدرة القطع
65mm	90°
45mm	45°
0-45°	قدرة القطع بميل
4.06kg	وزن الآلة

تصميم غسالات الشفرات والبراغي خصيصاً لمن شارك ، لتحقيق الأداء الأمثل وسلامة التشغيل.

علم بالوقت الذي تستغرقه الشفرة للتوقف بعد تحرير المفتاح.

قواعد أمان إضافية خاصة بالمنشار الدائري خاصتك

1. استخدم فقط شفرات المنشار الموصى بها في المواصفات.
2. لا تستخدم أي عجلات تجليخ
3. استخدم فقط قطر (أقطار) الشفرة وفقاً للعلامات.
4. قم بتحديد شفرة المنشار الصحيحة لاستخدامها في قطع المواد.
5. استخدم فقط شفرات المنشار المميزة بسرعة تساوي أو تزيد عن السرعة المحددة على الآداة.

الرموز

لتقليل مخاطر الإصابة ، يجب على المستخدم قراءة دليل التعليمات



مذكرة قانونية



ارتداء غطاء للأذنين



ارتد نظارات واقية



ارتدي قناع الغبار



عزلمزدوج



يُحظر التخلص من مخلفات المنتجات الكهربائية مع المخلفات المنزلية. ويُرجى إعادة تدويرها لدى المنشآت المختصة. تحقق من السلطات المحلية أو بائع التجزئة للتعرف على كيفية إعادة التدوير.



ارتد قفازات الحماية.



قفل



إلغاء القفل



مزيد من تعليمات السلامة لجميع المناشير

أسباب الارتداد المفاجيء وتجنبت ذات صلة

- هذا الارتداد هو رد فعل مفاجئ ل شفرة غير مكتملة أو محشورة أو منحرفة ، مما يؤدي إلى رفع المنشار غير المتحكم فيه لأعلى والخروج عن قطعة العمل نحو المشغل ؛
- عندما يتم ضغط الشفرة أو حشرها بإحكام بسبب إغلاق الشق لأسفل ، تتوقف عن دفع رد فعل المحرك الجهازي بسرعة نحو المشغل.
- إذا أصبحت الشفرة ملتوية أو منحرفة في القطع ، يمكن للأسنان الموجودة على الحافة الخلفية للشفرة بالحفر في السطح العلوي للخشب مما يتسبب في خروج الشفرة من الشق والقفز للخلف باتجاه المشغل.
- يعود سبب الارتداد إلى سوء استخدام المنشار / أو إجراءات أو ظروف التشغيل غير الصحيحة ويمكن تجنبها عن طريق اتخاذ الاحتياطات المناسبة كما هو موضح أدناه.
- (أ) حافظ على قبضة محكمة بكلتا يديك على المنشار وضع ذراعيك لمقاومة قوى الارتداد.

اجعل وضع جسمك على جانبي الشفرة ، لكن ليس على نفس الخط. قد يتسبب هذا الارتداد في أن يفتق المنشار للخلف ، ولكن يمكن التحكم في قوى الارتداد من قبل المشغل ، إذا تم اتخاذ الاحتياطات المناسبة.

(ب) عندما تكون الشفرة مقيدة ، أو عند مقاطعة القطع لأي سبب من الأسباب ، اترك يدك من على المشغل وامسك المنشار بلا حراك في المادة حتى تتوقف الشفرة تماماً. لا تحاول أبداً إزالة المنشار من العمل أو سحب المنشار للخلف أثناء حركة الشفرة أو قد يحدث ارتداد. قم بالتحقق وأخذ الإجراءات الصحيحة للقتاء على سبب تقييد الشفرة.

(ج) عند إعادة تشغيل المنشار في قطعة العمل ، قم بجعل شفرة المنشار في الوسط في الشق حتى لا تنتقل أسنان المنشار مع المادة. إذا تم تقييد شفرة المنشار ، فقد تفلت أو ترتد من قطعة العمل عند إعادة تشغيل المنشار.

(د) دعم الألواح الكبيرة حتى تقلل من مخاطر قرص الشفرة والارتداد. تميل الألواح الكبيرة إلى أن تهبط بفعل الوزن. يجب وضع الدعائم أسفل اللوح على كلا الجانبين ، بالقرب من خط القطع وبالقرب من حافة اللوح.

(هـ) لا تستخدم شفرات باهنة أو تالفة. تنتج الشفرات غير الحادة أو المضبوطة بشكل غير صحيح شقوق ضيقة تسبب احتكاكاً مفرطاً وتقييداً للشفرة وارتداداً.

(و) يجب أن تكون أذرع القفل الخاصة بضغط عمق الشفرة وضبط ميل القطع محكمة وأمنة قبل إجراء القطع.

إذا تغير ضبط الشفرة أثناء القطع ، فقد يتسبب ذلك في تقييد الشفرة والارتداد.

(ز) توخي الحذر الشديد عند بدء عملية النشر في الجدران الموجودة أو المناطق العمياء الأخرى. قد تقطع الشفرة البارزة أشياء قد تسبب ارتداداً.

تعليمات السلامة للمنشار الدائري مع واقي البنول الداخلي

وظيفة الواقي السفلي

(أ) افحص الواقي السفلي للتأكد من الإغلاق الصحيح قبل كل استخدام. لا تقم بتشغيل المنشار إذا كان الواقي السفلي لا يتحرك بحرية وبمق الإغلاق على الفور.

لا تقم أبداً بتثبيت أو ربط الواقي السفلي في وضع الفتح. إذا سقط المنشار عن طريق الخطأ ، فقد ينتهي الواقي السفلي. قم برفع الواقي السفلي بالمقبض القابل للسحب وتأكد من أنه يتحرك بحرية ولا يلمس الشفرة أو أي جزء آخر ، في جميع زوايا وأعماق القطع.

(ب) تحقق من تشغيل زبرك الحماية السفلي. إذا لم يعمل الواقي والزبرك بشكل صحيح ، فيجب صيانتهم قبل الاستخدام.

قد يعمل الواقي السفلي ببطء بسبب الأجزاء التالفة أو الرواسب الصمغية أو تراكم الحطام.

(ج) يمكن سحب الواقي السفلي يدوياً فقط لإجراء عمليات قطع خاصة مثل "القطع الغاطس أو العميق" و "القطع المركب". ارفع الواقي السفلي عن طريق سحب المقبض وبمجرد دخول الشفرة إلى المادة ، يجب تحرير الواقي السفلي.

(د) بالنسبة لجميع عمليات النشر الأخرى ، يعمل الواقي السفلي تلقائياً. قم بالتأكد دائماً أن الواقي السفلي يغطي النصل قبل وضع المنشار على المقعد أو الأرضية. سوف تتسبب الشفرة الإنسيابية غير المحمية في أن تكون حركة سير المنشار للخلف ويقطع كل ما يعترض طريقه. كن على

سلامة المنتج

تحذيرات السلامة العامة الخاصة بالأداة الكهربائية



تحذير أقرأ جميع تحذيرات السلامة والتعليمات والرسوم التوضيحية والموصفات المتوفرة مع هذه الأداة. قد يؤدي عدم اتباع جميع التعليمات المذكورة أدناه إلى حدوث صدمة كهربائية/ أو حريق و/ أو إصابة خطيرة.

احتفظ بجميع التحذيرات والتعليمات للرجوع إليها لاحقاً.

يشير مصطلح "الأداة الكهربائية" الوارد في التحذيرات إلى الأداة الكهربائية (السلكية) التي تعمل بالتيار الكهربائي أو الأداة (اللاسلكية) التي تعمل بالبطارية.

1- سلامة مكان العمل

(أ) حافظ على نظافة مكان العمل وإضائه جيداً. ذلك أن الأماكن غير النظيفة أو المظلمة تعجل وقوع الحوادث.

(ب) لا تشغل الأدوات الكهربائية في بيئات تبعث على الانفجار، مثل: البيئات التي توجد فيها سوائل أو غازات قابلة للاشتعال أو غير. تحدث الأدوات الكهربائية النشرا الذي قد يشعل الغبار أو الأبخرة.

(ج) قم بإبعاد الأطفال والمارة مسافة آمنة بعيداً عن الأداة الكهربائية أثناء تشغيلها. فقد تتسبب عوامل التشنيت في فقدانك السيطرة على الأداة الكهربائية.

2- السلامة الكهربائية

(أ) يجب أن تتوافق قوايس الأداة الكهربائية مع القابس، لا تقم بإجراء أي تعديلات على القابس بأي حال من الأحوال، وتجنب استخدام أي قوايس مهيأة مع الأدوات الكهربائية (المؤرضة)، حيث ستعمل القوايس غير المثقاة والقابض المطبقة على تقليل مخاطر حدوث الصعق الكهربائي.

(ب) تجنب أي اتصال جسدي بالأسطح الموصولة بالأرض أو المؤرضة، مثل: الأنابيب والمشعاع والموافق والتلاجات. حيث تزداد خطورة الصعق الكهربائي في حال تأريض جسدك.

(ج) لا تعرض الأدوات الكهربائية للأطمار أو الرطوبة، حيث سيؤدي الماء الذي يدخل إلى الأداة الكهربائية إلى زيادة مخاطر حدوث الصعق الكهربائي.

(د) تجنب إساءة استخدام السلك، وتجنب استخدامه في حمل الأداة الكهربائية، أو شدّها، أو فصلها. احتفظ بالسلك بعيداً عن الحرارة، والزيوت، والحواف الحادة، والأجزاء المتحركة، نظراً لأن الأسلاك التالفة أو المتشابكة تتسبب في زيادة خطورة الصعق الكهربائي.

(هـ) عند تشغيل الأداة الكهربائية في الخارج، استخدم سلك إطالة مناسب للاستخدام الخارجي، فاستعمال سلك مناسب للاستخدام الخارجي يقلل مخاطر حدوث الصعق الكهربائي.

(و) إذا كان لا بد من تشغيل الأداة الكهربائية في مكان رطب، فطيك استخدام مصدر إمداد حمى بجهاز يعمل بالتيار المتبقّي. استخدام جهاز الحماية من التيار المتبقّي يحد من مخاطر حدوث الصعق الكهربائي.

3- السلامة الشخصية

(أ) كن حذراً ولاحظ ما تقوم به واستخدم الحس السليم عند تشغيل الأداة الكهربائية، لا تستخدم الأداة إذا كنت تشعر بالتعب أو كنت تحت تأثير المخدرات، أو الكحول، أو العقاقير. قد تتعرض لإصابة شخصية بالغة إذا غفلت برؤى للحظة أثناء تشغيل الأدوات الكهربائية.

(ب) استخدم معدات الحماية الشخصية. احرص دائماً على ارتداء واقي العينين. إن استخدام معدات الحماية مثل: القناع الواقي من الغبار، وأذنية السلامة المقوامة للانزلاق، والقبع الصلبة، وواقي الأذنين. في الظروف الملائمة يقلل من حدوث إصابات شخصية.

(ج) امنع التشغيل غير المقصود. وتأكد أن المفتاح في وضع إيقاف التشغيل قبل التوصيل بمصدر الطاقة و/ أو مجموعة البطاريات، وكذلك قبل رفع الأداة أو حملها. تجدر الإشارة إلى أن الحوادث تنشأ عند حمل الأدوات الكهربائية ووجود الإصبع على المفتاح، أو تشغيل الأدوات الكهربائية التي يوجد بها مفتاح في وضع التشغيل.

(د) أزل أي مفتاح ضبط أو مفتاح ربط قبل تشغيل الأداة الكهربائية. قد يتسبب مفتاح الربط أو مفتاح الضبط المتصل بأحد الأجزاء المتحركة للأداة الكهربائية في حدوث إصابة شخصية.

(هـ) لا تدمك يدك إلى الأجزاء البعيدة عن متناولك. وقف ثابتاً، وحافظ على توازنك؛ مما يساعد في التحكم بشكل أفضل في الأداة الكهربائية في المواقف غير المتوقعة.

- (و) ارتد ملابس مناسبة، وتجنّب ارتداء ملابس فضفاضة أو مجوهرات. أبعّد شعرك وملابسك عن الأجزاء المتحركة. من الممكن أن تتحسّر الملابس الفضفاضة، أو المجوهرات، أو الشعر الطويل في الأجزاء المتحركة.
- (ز) في حال توفير أجهزة لتوصيل أدوات شفط الغبار وتجميعه، تأكد من توصيل هذه الأدوات واستخدامها بشكل سليم. قد يساعد استخدام أداة تجميع الغبار في تقليل المخاطر المرتبطة بالغبار.
- (ح) لا تدع عائلتك استخدام الأداة الكهربائية بصفة دورية بجهلك تتهاون أو تتجاهل تطبيق مبادئ السلامة الخاصة بالأدوات الكهربائية. فقد يتسبب الإهمال واللامبالاة في حدوث إصابات بالغة في جزء من الثانية.

4- استخدام الأداة الكهربائية والعناية بها

(أ) لا تضغط على الأداة الكهربائية، واستخدم الأداة التي تناسب عملك. يساعد اختيار الأداة الكهربائية المناسبة في تنفيذ العمل بشكل أفضل وأكثر أمناً بنفس المعدل الذي صُممت من أجله.

(ب) لا تستخدم الأداة الكهربائية إذا لم يعمل المفتاح على تشغيلها وإيقاف تشغيلها. ينتج عن الأداة الكهربائية التي لا يمكن التحكم فيها مخاطر عظيمة؛ لذا يتعين إصلاحها.

(ج) أفضل القابس من مصدر الطاقة و/ أو مجموعة البطارية من الأداة الكهربائية قبل إجراء أي تعديلات، أو تغيير الملحقات، أو تخزين الأدوات الكهربائية. تعمل تدابير السلامة الوقائية هذه على تقليل المخاطر الناتجة عن بدء تشغيل الأداة الكهربائية دون قصد.

(د) خزن الأدوات الكهربائية المطعمة بعيداً عن متناول الأطفال ولا تسمح للأشخاص الذين لم يكن لديهم دراية وخبرة في التعامل مع الأداة الكهربائية أو هذه التعليمات بتشغيل الأداة الكهربائية. تتسم الأدوات الكهربائية بالخطورة عند تشغيلها من قِبل مستخدمين غير مدربين.

(هـ) حافظ على الأدوات الكهربائية. وتحقق من عدم عرواج أو إحناء الأجزاء المتحركة وكسر الأجزاء و/ أو وضع آخر قد يؤثر سلباً على تشغيل الأدوات الكهربائية. قد يساعد الإختيار المناسب قبل استخدامها إذا كانت تالفة. فالعديد من الحوادث تنشأ بسبب سوء صيانة الأدوات الكهربائية.

(و) حافظ على عدم حدوث القطع ونظافتها. تجدر الإشارة إلى أن أدوات القطع التي تم صيانتها بعناية شديدة والتي تمتلك حواف حادة للقطع نادراً ما تتوقف عن العمل، ويسهل التحكم فيها.

(ز) استخدم الأداة الكهربائية والملحقات ولقم الأداة بما يتوافق مع هذه التعليمات، مع الأخذ بعين الاعتبار ظروف العمل والعمل المقرر تنفيذه. قد يؤدي استخدام الأداة الكهربائية في عمليات مختلفة عن العمليات المخصصة لها إلى التعرض لمواقف خطيرة.

(ح) الإبقاء على المقابض وأسطح الإمساك جافة ونظيفة وخالية من أي زيت أو شحم. لا تسمح للأسطح والمقابض الزلقة بالسيطرة والتحكم الآمن في الأداة خاصة في المواقف غير المتوقعة.

5- الصيانة

(أ) عليك بإصلاح الأداة الكهربائية من قبل فني إصلاح مؤهل باستخدام قطع الغيار الأصلية فقط، مما يضمن الحفاظ على سلامة الأداة الكهربائية.

تعليمات السلامة لجميع المشائير

خطوات القطع

(أ) **خطر** : حافظ على يديك بعيدة عن منطقة القطع وبعيدا عن شفرة القطع. احتفظ بيدك الأخرى على المقبض، أو غطاء المحرك في حالة إسماك المشائر بكتنا العينين، فلا يمتد القطع بواسطة النصل.

(ب) لا تصل إلى أسفل قطعة العمل. لا يستطيع الواقي حمايتك من الشفرة الموجودة أسفل قطعة العمل.

(ج) قم بضبط عمق القطع على سمك قطعة العمل. يجب أن يكون عدد أسنان النصل الظاهرة تحت قطعة العمل أقل من عدد أسنان النصل الكاملة.

(د) لا تمسك قطعة العمل بيدك أو ساقك أثناء القطع. قد يتم تثبيت قطعة العمل على منصة ثابتة. من المهم دعم العمل بشكل صحيح لتقليل تعرض الجسم أو ربط الشفرة أو فقدان السيطرة.

(هـ) قم بإسماك أداة الطاقة عن طريق أسطح إمساك معزولة، عند إجراء عملية قطع حيث قد تتلامس أداة القطع الأسلاك الغير ظاهرة أو السلك الخاص بها. يؤدي الاتصال بسلك "مكهرب" أيضاً إلى جعل الأجزاء المعدنية المكشوفة من أداة الطاقة "مكهرب" و يمكن أن يتسبب في صدمة كهربائية للمُشغّل.

(و) عند التمرير، استخدم دائماً مسياج أو مسطرة تقيوم. هذا يحسن دقة القطع و يقلل من فرصاً ربط الشفرة.

(ز) استخدم دائماً المشائير ذات الحجم والشكل الصحيحين (شكل الماسة مقابل الشكل النادري) من فصات الشجرة. سوف تتفصل المشائير التي لا تتطابق مع جهاز تركيب المشائر من المركز، مما يتسبب في فقدان التحكم.

(ح) لا تستخدم غسالات للمشائير أو البرازي التالفة أو غير الصحيحة. تم





www.catpowertools.com



©2023 Caterpillar. CAT, CATERPILLAR, their respective logos, "Caterpillar Yellow," the "Power Edge" trade dress as well as corporate and product identity used herein, are trademarks of Caterpillar and may not be used without permission. Positec Group Limited, a licensee of Caterpillar Inc

AR01703900